



Illustrated Parts Manual

Models

400S

460SJ

**Prior to
SN 0300096000**

P/N
3120789

November 27, 2013

ANSI



An Oshkosh Corporation Company

REVISION LOG

March 15, 2000 - Original Issue Of Manual (Edited to B/M 0010561 Revision 1)
July 1, 2000 - Revised Manual (Revised to B/M 0010561 Revision 2)
January 31, 2001 - Revised Manual (Revised to B/M 0010561 Revision 11)
October 16, 2001 - Revised (Manual edited to 0010561 Revision 23)
(Manual edited to 0010579 Revision 7 With ADE System)
September 30, 2002 - Revised (Manual edited to 0010579 Revision 23 With ADE System)
June 30, 2003 - Revised (Manual edited to 0010579 Revision 33 With ADE System)
September 15, 2003 - Revised (Manual edited to 0010579 Revision 43 With ADE System)
February 6, 2004 - Revised (Manual edited to 0010579 Revision 43 With ADE System)
August 1, 2004 - Revised (Manual edited to 0010579 Revision 51 With ADE System)
December 15, 2004 - Revised (Manual edited to 0010579 Revision 52 With ADE System)
April 30, 2005 - Revised (Manual edited to 0010579 Revision 58 With ADE System)
October 13, 2005 - Revised (Manual edited to 0010579 Revision 64 With ADE System)
April 30, 2006 - Revised (Manual edited to 0010579 Revision 67 With ADE System)
September 12, 2006 - Revised
January 3, 2007 - Revised
April 2, 2007 - Revised
August 31, 2007 - Revised
January 11, 2008 - Revised
July 15, 2008 - Revised
March 1, 2009 - Revised
October 2, 2009 - Revised
July 21, 2010 - Revised
January 27, 2011 - Revised
May 16, 2011 - Revised
August 12, 2011 - Revised
December 8, 2011 - Revised
March 30, 2012 - Revised
July 19, 2012 - Revised
October 19, 2012 - Revised
February 28, 2013 - Revised
May 13, 2013 - Revised
August 21, 2013 - Revised
November 27, 2013 - Revised

REVISION LOG

ADE SYSTEM IDENTIFICATION

Most 400S and 460SJ machines from SN 64404 incorporate the ADE System, but no clean SN break exist. A machine that incorporates ADE System can be outwardly identified by the analyzer connection at the base of the platform control box.



TABLE OF CONTENTS

FIGURE NO.	TITLE	PAGE NO.
SECTION 1 - FRAME		1-1
1-1	AXLE AND STEERING INSTALLATION - 2WD WITHOUT TOW PACKAGE	1-2
1-2	AXLE AND STEERING INSTALLATION - 2WD WITH TOW PACKAGE	1-6
1-3	AXLE & STEERING INSTALLATION - 4WD	1-10
1-4	TIRE AND WHEEL DRIVE INSTALLATIONS	1-16
1-5	DRIVE HUB ASSEMBLY (4WD FRONT) (PRIOR TO SN 0300076633)	1-20
1-6	DRIVE HUB/BRAKE ASSEMBLY (REAR) (PRIOR TO SN 0300076633)	1-24
1-7	DRIVE HUB AND HUB WITH BRAKE ASSEMBLIES (SN 0300076633 TO SN 0300096000)	1-28
1-8	DRIVE MOTOR ASSEMBLY (ORIGINAL EQUIPMENT - 4 BOLT ASSEMBLY)	1-32
1-9	DRIVE MOTOR ASSEMBLY (FIELD SERVICE REPLACEMENT - 5 BOLT ASSEMBLY)	1-36
1-10	FRAME VALVES AND SHIELDS INSTALLATION	1-40
1-11	SEMI-TRACK INSTALLATION	1-44
1-12	TOW PACKAGE INSTALLATION	1-48
SECTION 2 - TURNTABLE		2-1
2-1	VALVES AND TILT INDICATOR INSTALLATIONS	2-2
2-2	MAIN CONTROL VALVE ASSEMBLY	2-4
2-3	ACCESSORY VALVE ASSEMBLY	2-8
2-4	TURNTABLE AND SWING DRIVE INSTALLATIONS	2-10
2-5	SWING BRAKE ASSEMBLY	2-14
2-6	SWING HUB ASSEMBLY	2-16
2-7	SWING MOTOR ASSEMBLY	2-18
2-8	CATERPILLAR ENGINE INSTALLATION	2-20
2-9	GENERATOR INSTALLATION - CATERPILLAR MACHINES (OPTIONAL)	2-28
2-10	DEUTZ ENGINE INSTALLATION (PRIOR TO SN 0300077682)	2-32
2-11	DEUTZ ENGINE INSTALLATION (SN 0300077682 TO SN 0300096000)	2-38
2-12	GENERATOR INSTALLATION - DEUTZ MACHINES (OPTIONAL)	2-46
2-13	FORD ENGINE INSTALLATION (PRIOR TO SN 0300078473)	2-50
2-14	FORD ENGINE INSTALLATION (SN 0300078473 to SN 0300096000)	2-58
2-15	DUAL FUEL INSTALLATIONS (GAS MACHINES ONLY)	2-66
2-16	GENERATOR INSTALLATION - FORD MACHINES (PRIOR TO SN 0300078473) (OPTIONAL)	2-70
2-17	GENERATOR INSTALLATION - FORD MACHINES (SN 0300078473 TO SN 0300096000) (OPTIONAL)	2-74
2-18	GM ENGINE INSTALLATION	2-78
2-19	GENERATOR INSTALLATION - GM MACHINES (OPTIONAL)	2-84
2-20	ISUZU ENGINE INSTALLATION - 4LE1	2-88
2-21	GENERATOR INSTALLATION - ISUZU MACHINES (OPTIONAL)	2-92
2-22	PISTON PUMP ASSEMBLY	2-96
2-23	GEAR PUMP ASSEMBLY	2-100
2-24	AUXILIARY PUMP ASSEMBLY	2-102
2-25	TANK INSTALLATIONS	2-106
2-26	GROUND CONTROL BOX ASSEMBLY WITHOUT ADE SYSTEM	2-110
2-27	GROUND CONTROL BOX ASSEMBLY WITH ADE SYSTEM	2-114
2-28	ELECTRICAL OPTIONS INSTALLATION (TURNTABLE MOUNTED)	2-120
2-29	HOODS INSTALLATION	2-124

TABLE OF CONTENTS

FIGURE NO.	TITLE	PAGE NO.
SECTION 3 - BOOM.....3-1		
3-1	BOOM INSTALLATIONS.....	3-2
3-2	BOOM ASSEMBLY - 400S.....	3-6
3-3	BOOM ASSEMBLY - 460SJ.....	3-10
3-4	ROTATOR ASSEMBLIES.....	3-14
SECTION 4 - PLATFORM.....4-1		
4-1	PLATFORM INSTALLATION (FRONT ENTRY PLATFORM).....	4-2
4-2	PLATFORM INSTALLATION (SIDE ENTRY PLATFORM).....	4-6
4-3	SOFT TOUCH INSTALLATION (FRONT ENTRY PLATFORM) (OPTIONAL).....	4-10
4-4	SOFT TOUCH INSTALLATION (SIDE ENTRY PLATFORM) (OPTIONAL).....	4-12
4-5	PLATFORM CONSOLE ASSEMBLY WITHOUT ADE SYSTEM.....	4-14
4-6	PLATFORM CONSOLE ASSEMBLY WITH ADE SYSTEM.....	4-20
4-7	CONTROLLER ASSEMBLY (SWING AND LIFT) (WITHOUT ADE SYSTEM).....	4-26
4-8	CONTROLLER ASSEMBLY (SWING AND LIFT) (WITH ADE SYSTEM).....	4-28
4-9	CONTROLLER ASSEMBLY (DRIVE AND STEER) (WITHOUT ADE SYSTEM).....	4-32
4-10	CONTROLLER ASSEMBLY (DRIVE AND STEER) (WITH ADE SYSTEM).....	4-34
SECTION 5 - CYLINDER.....5-1		
5-1	AXLE LOCKOUT CYLINDER ASSEMBLY.....	5-2
5-2	LEVEL (PLATFORM SLAVE) CYLINDER ASSEMBLY.....	5-4
5-3	LEVEL (PLATFORM SLAVE) CYLINDER ASSEMBLY (400S - SERVICE REPLACEMENT CYLINDER).....	5-6
5-4	LIFT CYLINDER ASSEMBLY - JIB (460SJ).....	5-8
5-5	LIFT CYLINDER ASSEMBLY - MAIN.....	5-10
5-6	MASTER CYLINDER ASSEMBLY (ORIGINAL EQUIPMENT).....	5-12
5-7	MASTER CYLINDER ASSEMBLY (SERVICE REPLACEMENT).....	5-14
5-8	STEER CYLINDER ASSEMBLY (ORIGINAL EQUIPMENT PRIOR TO SN 0300087392).....	5-16
5-9	STEER CYLINDER ASSEMBLY (SERVICE REPLACEMENT FOR PRIOR TO SN 0300087392 & ORIGINAL EQUIPMENT FOR SN 0300087392 TO SN 0300096000).....	5-18
5-10	TELESCOPE CYLINDER ASSEMBLY.....	5-20
SECTION 6 - HYDRAULIC.....6-1		
6-1	AXLE LOCKOUT HYDRAULIC DIAGRAM.....	6-2
6-2	DRIVE HYDRAULIC DIAGRAM - 2WD.....	6-4
6-3	DRIVE HYDRAULIC DIAGRAM - 4WD.....	6-6
6-4	STANDARD HYDRAULIC DIAGRAM.....	6-10
6-5	HYDRAULIC DIAGRAM LIST.....	6-14
SECTION 7 - ELECTRICAL.....7-1		
7-1	ELECTRICAL DIAGRAM LIST.....	7-2
7-2	HARNESS COMPONENTS INSTALLATION (WITHOUT ADE SYSTEM).....	7-6
7-3	HARNESS COMPONENTS INSTALLATION (WITH ADE SYSTEM).....	7-16
SECTION 8 - DECALS.....8-1		
8-1	DECAL INSTALLATION (ANSI SPEC).....	8-2
8-2	DECAL INSTALLATION (COUNTRY SPEC).....	8-6

TABLE OF CONTENTS

FIGURE NO.	TITLE	PAGE NO.
SECTION 9	- RECOMMENDED SERVICE PARTS STOCK	9-1
SECTION 10	- SPECIAL OPTIONS	10-1
10-1	SPECIAL OPTIONS LIST	10-2
10-2	SKY WELDER INSTALLATION (PRIOR TO SN 0300068333)	10-8
SECTION 11	- PARTS NUMBER INDEX	11-1

TABLE OF CONTENTS

FIGURE NO.

TITLE

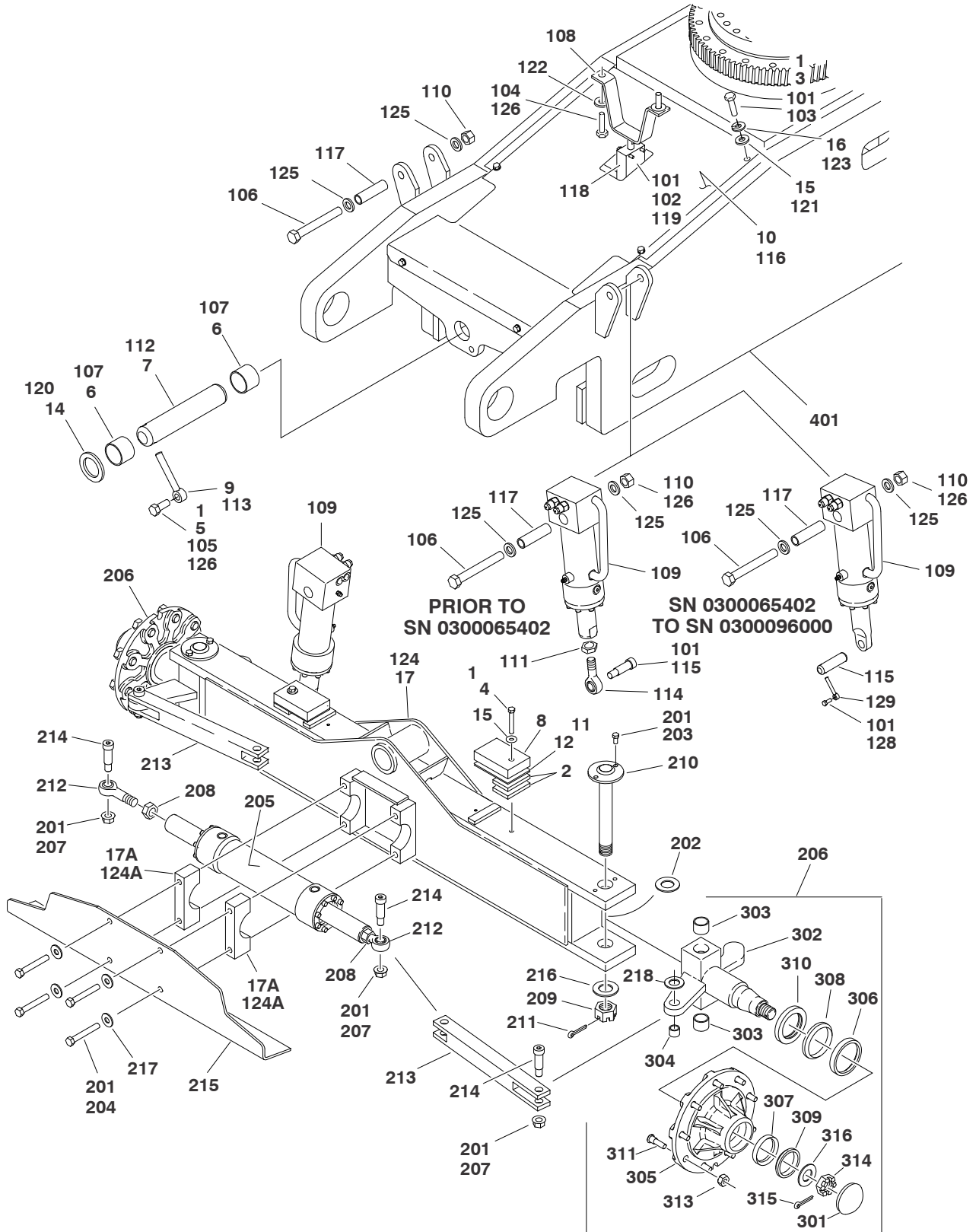
PAGE NO.

SECTION 1

FRAME

SECTION 1 FRAME

FIGURE 1-1. AXLE AND STEERING INSTALLATION - 2WD WITHOUT TOW PACKAGE



SECTION 1 FRAME

FIGURE 1-1. AXLE AND STEERING INSTALLATION - 2WD WITHOUT TOW PACKAGE

ITEM #	PART NUMBER	QTY.	DESCRIPTION	REV.
		Ref	FIXED AXLE INSTALLATION OPTIONS:	
	0259152	Ref	Prior to SN 0300067471 All Machines	C
	0272274	Ref	SN 0300067471 to SN 0300072506	A
	0272902	Ref	SN 0300072506 to SN 0300096000	A
1	0100011	AR	Compound, Locking	
2	0362932	2	Bar, Stop	
3	0641607	4	Bolt 3/8in-16NC x 7/8in	
4	0641626	2	Bolt 3/8in-16NC x 3-1/4in	
5	0642012	1	Bolt 5/8in-11NC x 1-1/2in	
6	0961950	2	Bushing, Garmax	
7	3422592	1	Pin, Axle Pivot	
8	0362954	2	Plate, Stop	
9	3841258	1	Keeper, Pin	
10		1	Shield, Frame Options:	
	4060978		Prior to SN 0300072506	
	3574254		SN 0300072506 to SN 0300096000	
11	4071002	AR	Shim, 20-Gauge	
12	4070973	AR	Shim 1/8in	
13	Not Used			
14	4740158	1	Thrustwasher	
15	4751600	6	Flatwasher 3/8in Regular	
16	4761600	4	Lockwasher 3/8in	
17		1	Axle Weldment Options:	
	4846072		Prior to SN 0300067471	
	4846551		SN 0300067471 to SN 0300096000	
17A	0561300	2	Steer Cylinder Mounting Block Assembly	
		Ref	OSCILLATING AXLE INSTALLATION OPTIONS:	
	0259150	Ref	Prior to SN 0300065402	E
	0271977	Ref	SN 0300065402 to SN 0300072506	A
	0272900	Ref	SN 0300072506 to SN 0300096000	A
101	0100011	AR	Compound, Locking	
102	0641414	4	Bolt 1/4in-20NC x 1-3/4in	
103	0641607	4	Bolt 3/8in-16NC x 7/8in	
104	0642010	2	Bolt 5/8in-11NC x 1-1/4in	
105	0642012	1	Bolt 5/8in-11NC x 1-1/2in	
106	0682248	2	Bolt 3/4in-10NC x 6in (Grade 8)	
107	0961950	2	Bushing, Garmax	
108	1100118	1	Cam, Lockout	
109	Use	2	Lockout Cylinder Assembly Options (See CYLINDER SECTION for Breakdown):	
	Use 1684139		Prior to SN 0300065402 (was p/n 1683575)	
	1684139		SN 0300065402 to SN 0300096000	
110	3272201	2	Nut 3/4in-10NC	
111	3322201	2	Nut 3/4in-16NF (Prior to SN 0300065402)	
112	3422592	1	Pin, Axle Pivot	

SECTION 1 FRAME

**FIGURE 1-1. AXLE AND STEERING INSTALLATION - 2WD WITHOUT TOW PACKAGE
(CONTINUED)**

ITEM #	PART NUMBER	QTY.	DESCRIPTION	REV.
113	3841258	1	Keeper, Pin	
114	3841367	2	Rod-End with Grease Fitting (Prior to SN 0300065402)	
	7020180	1	Grease Fitting	
115		2	Hardware Options:	
	3900109		Screw, Shoulder (Prior to SN 0300065402)	
	3422936		Pin (SN 0300065402 to SN 0300096000)	
116		1	Shield, Frame Options:	
	4060978		Prior to SN 0300072506	
	3574254		SN 0300072506 to SN 0300096000	
117	4567462	2	Tube, Mounting	
118	4640871	1	Lockout Valve Assembly	
	7012693	1	Seal Kit - 4640871 Valve	
	7002840	1	Anti-Rotation Pin Removal Tool	
119	4711400	4	Flatwasher 1/4in Thin	
120	4740158	1	Thrustwasher	
121	4751600	4	Flatwasher 3/8in Regular	
122	4752000	4	Flatwasher 5/8in Regular	
123	4761600	2	Lockwasher 3/8in	
124		1	Axle Weldment Options:	
	4846072		Prior to SN 0300065402	
	4846551		SN 0300065402 to SN 0300096000	
124A	0561300	2	Steer Cylinder Mounting Block Assembly	
125	4892200	4	Flatwasher 3/4in Hardened	
126	0100019	AR	Compound, Locking	
127	Not Used			
128	0641607	2	Bolt 3/8in-16NC x 7/8in (SN 0300065402 to SN 0300096000)	
129	3841520	2	Keeper, Pin (SN 0300065402 to SN 0300096000)	
	0259148	Ref	STEERING INSTALLATION	H
201	0100011	AR	Compound, Locking	
202	0440162	2	Thrustwasher	
203	0641606	4	Bolt 3/8in-16NC x 3/4in	
204	0681828	4	Bolt 1/2in-13NC x 3-1/2in	
205		1	Steer Cylinder Assembly Options (See CYLINDER SECTION for Breakdown):	
	Use 1684412		Prior to SN 0300087392 (was p/n 1683614)	
	1684412		SN 0300087392 to SN 0300096000 (was p/n 1001140283)	
206	2780230	2	Hub/Spindle Assembly (See 301 to 316 for Breakdown)	
207	3312008	4	Nut 5/8in-11NC	
208	3322201	2	Nut 3/4in-16NF	
209	3323003	2	Nut 1-1/4in-12NF	
210	3422692	2	Kingpin	
211	3450808	2	Pin, Cotter 1/4in x 2in	
212	Use 3841517	2	Rod-End (was p/n 3841367 Rod-End with p/n 7020180 Grease Fitting)	
		Ref	Note: Qty (1) p/n 4740086 Thrustwasher required between bottom of p/n 3841517 Rod-End and Tie Rod.	
213	3841442	2	Tie-Rod	

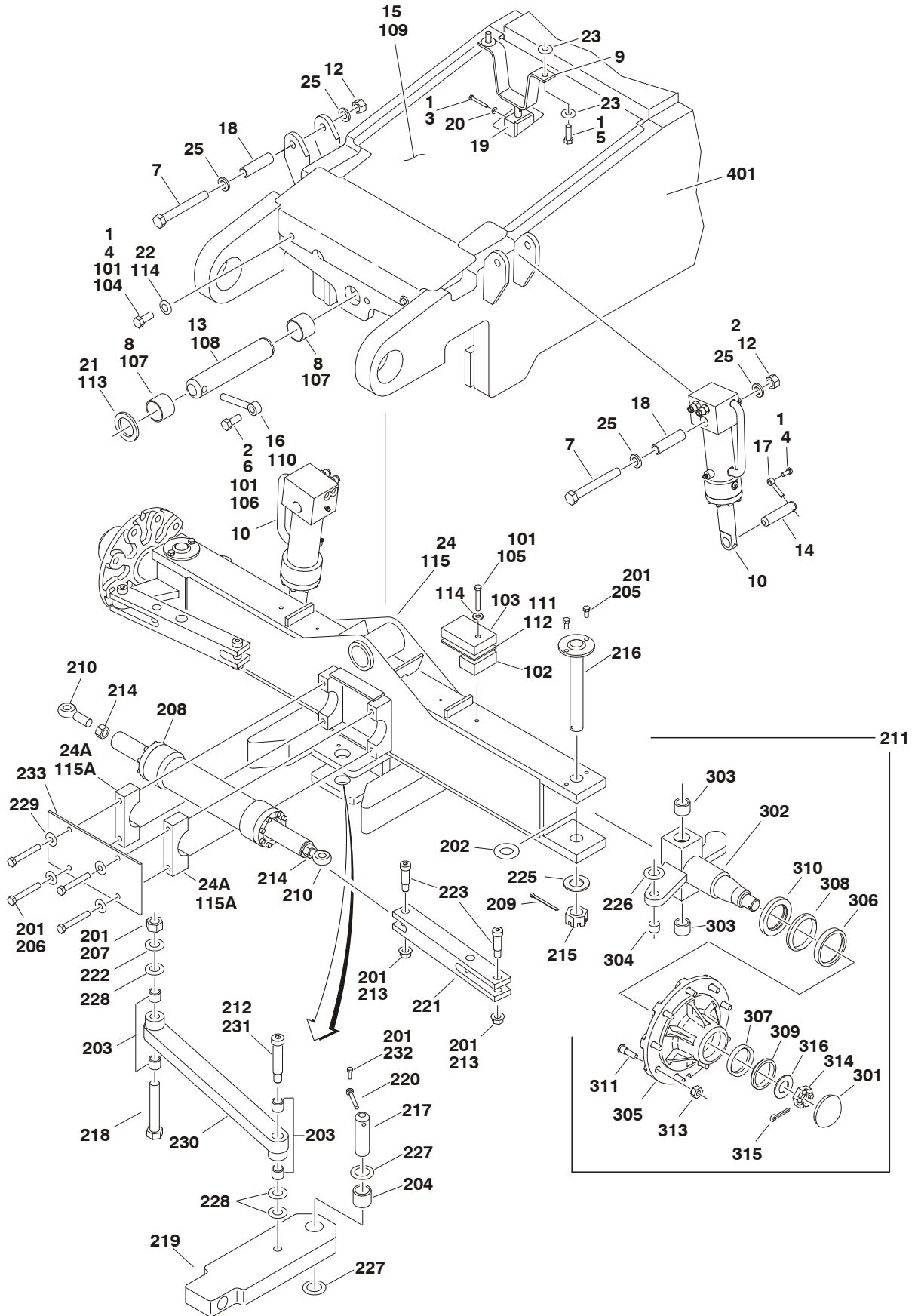
SECTION 1 FRAME

**FIGURE 1-1. AXLE AND STEERING INSTALLATION - 2WD WITHOUT TOW PACKAGE
(CONTINUED)**

ITEM #	PART NUMBER	QTY.	DESCRIPTION	REV.
214	3900109	4	Screw, Shoulder	
215		AR	Shield, Frame Options:	
	4060950	1	Prior to SN 0300072506	
	Not Required	0	SN 0300072506 to SN 0300096000	
216	4713000	2	Flatwasher 1-1/4in Thin	
217	4751800	4	Flatwasher 1/2in Regular	
218	4740086	2	Thrustwasher	
	2780230	Ref	HUB ASSEMBLY	A
301	7020033	2	Cap, Dust (1 per Assembly)	
302	7020034	2	Spindle Assembly (1 per Assembly)	
303	0961951	4	Bushing, Garmax (2 per Assembly)	
304	0962140	2	Bearing, Garmax (1 per Assembly)	
305	7020035	2	Hub (1 per Assembly) (Includes 306 & 307)	
306	7020036	2	Cup, Bearing - Inner(1 per Assembly)	
307	7020038	2	Cup, Bearing - Outer (1 per Assembly)	
308	7020037	2	Cone, Bearing - Inner (1 per Assembly)	
309	7020039	2	Cone, Bearing - Outer (1 per Assembly)	
310	7020040	2	Seal (1 per Assembly)	
311	7020041	18	Stud, Wheel (9 per Assembly)	
312	Not Used			
313	7020042	18	Lugnut (9 per Assembly)	
314	7020054	2	Nut, Castle (1 Per Assembly)	
315	3450608	2	Pin, Cotter (1 Per Assembly)	
316	7020055	2	Washer, Spindle (1 Per Assembly)	
401		Ref	FRAME WELDMENTS	
	2360539		400S with 500Lbs Capacity (Prior to SN 0300072506)	
	2360625		400S with 500Lbs Capacity (SN 0300072506 to SN 0300076633)	
	2360650		400S with 500Lbs Capacity (SN 0300076633 to SN 0300096000)	
	2360540		400S with 750Lbs Capacity (Prior to SN 0300072506)	
	2360626		400S with 750Lbs Capacity (SN 0300072506 to SN 0300076633)	
	2360651		400S with 750Lbs Capacity (SN 0300076633 to SN 0300096000)	
	2360541		460SJ (Prior to SN 0300072506)	
	2360627		460SJ (SN 72506 to SN 0300076633)	
	2360652		460SJ (SN 76633 to SN 0300096000)	

SECTION 1 FRAME

FIGURE 1-2. AXLE AND STEERING INSTALLATION - 2WD WITH TOW PACKAGE



SECTION 1 FRAME

FIGURE 1-2. AXLE AND STEERING INSTALLATION - 2WD WITH TOW PACKAGE

ITEM #	PART NUMBER	QTY.	DESCRIPTION	REV.
	0273473	Ref	OSCILLATING AXLE INSTALLATION	A
1	0100011	AR	Compound, Locking	
2	0100019	AR	Compound, Locking	
3	0641424	4	Bolt 1/4in-20NC x 3in	
4	0641607	2	Bolt 3/8in-16NC x 7/8in	
5	0642010	2	Bolt 5/8in-11NC x 1-1/4in	
6	0642012	1	Bolt 5/8in-11NC x 1-1/2in	
7	0682248	2	Bolt 3/4in-10NC x 6in	
8	0961950	2	Bushing, Garmax	
9	1100123	1	Cam, Lockout	
10	1684139	2	Lockout Cylinder Assembly (See CYLINDER SECTION for Breakdown)	
11	Not Used			
12	3272201	2	Nut 3/4in-10NC	
13	3422592	1	Pin, Axle Pivot	
14	3422936	2	Pin	
15	3574254	1	Shield, Frame	
16	3841258	1	Keeper, Pin	
17	3841520	2	Keeper, Pin	
18	4567462	2	Tube, Mounting	
19	4640871	1	Lockout Valve Assembly	
	7012693	1	Seal Kit - 4640871 Valve	
	7002840	1	Anit-Rotation Pin Removal Tool	
20	4711400	4	Flatwasher 1/4in Thin	
21	4740158	1	Thrustwasher	
22	4751600	2	Flatwasher 3/8in Regular	
23	4752000	4	Flatwasher 5/8in Regular	
24	4846801	1	Axle Weldment	
24A	0561300	2	Steer Cylinder Mounting Block Assembly	
25	4892200	4	Flatwasher 3/4in Hardened	
		Ref	FIXED AXLE INSTALLATION	
	0272803	Ref	Prior to SN 0300072506	A
	0272906	Ref	SN 0300072506 to SN 0300096000	A
101	0100011	AR	Compound, Locking	
102	0362932	2	Bar, Stop	
103	0362954	2	Bar, Stop	
104	0641607	2	Bolt 3/8in-16NC x 7/8in	
105	0641626	2	Bolt 3/8in-16NC x 3-1/4in	
106	0642012	1	Bolt 5/8in-11NC x 1-1/2in	
107	0961950	2	Bushing, Garmax	
108	3422592	1	Pin, Axle Pivot	
109		1	Shield, Frame Options:	
	4060978		Prior to SN 0300072506	
	3574254		SN 0300072506 to SN 0300096000	
110	3841258	1	Keeper, Pin	

SECTION 1 FRAME

**FIGURE 1-2. AXLE AND STEERING INSTALLATION - 2WD WITH TOW PACKAGE
(CONTINUED)**

ITEM #	PART NUMBER	QTY.	DESCRIPTION	REV.
111	4070973	2	Shim 11Ga	
112	4071002	4	Shim 20Ga	
113	4740158	1	Thrustwasher	
114	4751600	2	Flatwasher 3/8in Regular	
115	4846426	1	Axle Weldment	
115A	0561300	2	Steer Cylinder Mounting Block Assembly	
	0272804	Ref	STEERING INSTALLATION	G
201	0100011	AR	Compound, Locking	
202	0440162	2	Thrustwasher	
203	0962292	4	Bushing	
204	0962348	1	Bushing	
205	0641606	4	Bolt 3/8in-16NC x 3/4in	
206		4	Bolt Options:	
	0681828		Bolt 1/2in-13NC x 3-1/2in (With Cylinder Shield)	
	0681824		Bolt 1/2in-13NC x 3in (Without Cylinder Shield)	
207	3272205	2	Locknut 3/4in-16NF	
208		1	Steer Cylinder Assembly Options (See CYLINDER SECTION for Breakdown):	
	Use 1684412		Prior to SN 0300087392 (was p/n 1683614)	
	1684412		SN 0300087392 to SN 0300096000 (was p/n 1001140283)	
209	3450808	2	Pin, Cotter 1/4in x 2in	
210	Use 3841517	2	Rod-End (was p/n 3841367 Rod-End with p/n 7020180 Grease Fitting)	
		Ref	Note: Qty (1) p/n 4740086 Thrustwasher required between bottom of p/n 3841517 Rod-End and Tie Rod.	
211	2780230	2	Hub/Spindle Assembly (See 201 to 213 for Breakdown)	
212	3900295	1	Bolt, Shoulder 1in x 3in	
213	3312008	4	Nut 5/8in-11NC	
214	3322201	2	Nut 3/4in-16NF	
215	3323003	2	Nut 1-1/4in-12NF	
216	3422692	2	Kingpin	
217	3422848	1	Pin, Hitch	
218	3900296	1	Bolt, Shoulder 1in x 4-1/2in	
219	3574235	1	Plate, Tow Bar Pivot	
220	3841143	1	Keeper	
221	3841619	2	Tie-Rod	
222	4712400	1	Flatwasher 7/8in Thin	
223	3900109	4	Screw, Shoulder	
224	Not Used			
225	4713000	2	Flatwasher 1-1/4in Thin	
226	4740086	2	Thrustwasher	
227	4740155	2	Thrustwasher	
228	4740491	3	Thrustwasher	
229	4751800	4	Flatwasher 1/2in Regular	
230	4846802	1	Weldment, Link	
231	0100019	AR	Compound, Locking	
232	0641508	1	Bolt 5/16in-18NC x 1in	

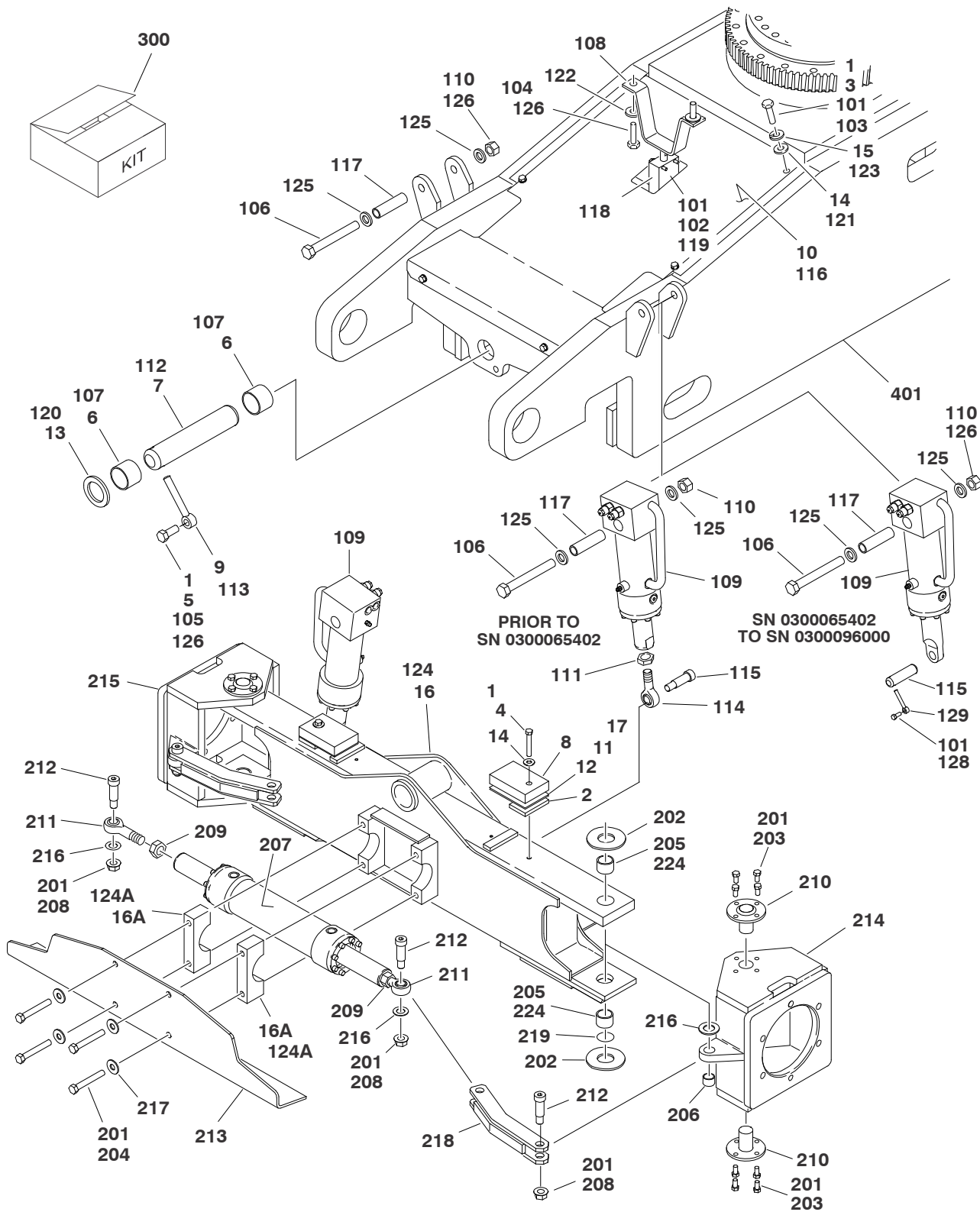
SECTION 1 FRAME

**FIGURE 1-2. AXLE AND STEERING INSTALLATION - 2WD WITH TOW PACKAGE
(CONTINUED)**

ITEM #	PART NUMBER	QTY.	DESCRIPTION	REV.
233	4061048	1	Shield, Cylinder (Prior to SN 0300073804 Only)	
	2780230	Ref	HUB ASSEMBLY	A
301	7020033	2	Cap, Dust (1 per Assembly)	
302	7020034	2	Spindle Assembly (1 per Assembly)	
303	0961951	4	Bushing, Garmax (2 per Assembly)	
304	0962140	2	Bearing, Garmax (1 per Assembly)	
305	7020035	2	Hub (1 per Assembly) (Includes 306 & 307)	
306	7020036	2	Cup, Bearing - Inner(1 per Assembly)	
307	7020038	2	Cup, Bearing - Outer (1 per Assembly)	
308	7020037	2	Cone, Bearing - Inner (1 per Assembly)	
309	7020039	2	Cone, Bearing - Outer (1 per Assembly)	
310	7020040	2	Seal (1 per Assembly)	
311	7020041	18	Stud, Wheel (9 per Assembly)	
312	Not Used			
313	7020042	18	Lugnut (9 per Assembly)	
314	7020054	2	Nut, Castle (1 Per Assembly)	
315	3450608	2	Pin, Cotter (1 Per Assembly)	
316	7020055	2	Washer, Spindle (1 Per Assembly)	
401		Ref	FRAME WELDMENT OPTIONS:	
	2360539		400S with 500Lbs Capacity (Prior to SN 0300072506)	
	2360625		400S with 500Lbs Capacity (SN 0300072506 to SN 0300076633)	
	2360650		400S with 500Lbs Capacity (SN 0300076633 to SN 0300096000)	
	2360540		400S with 750Lbs Capacity (Prior to SN 0300072506)	
	2360626		400S with 750Lbs Capacity (SN 0300072506 to SN 0300076633)	
	2360651		400S with 750Lbs Capacity (SN 0300076633 to SN 0300096000)	
	2360541		460SJ (Prior to SN 0300072506)	
	2360627		460SJ (SN 0300072506 to SN 0300076633)	
	2360652		460SJ (SN 0300076633 to SN 0300096000)	

SECTION 1 FRAME

FIGURE 1-3. AXLE & STEERING INSTALLATION - 4WD



SECTION 1 FRAME

FIGURE 1-3. AXLE & STEERING INSTALLATION - 4WD

ITEM #	PART NUMBER	QTY.	DESCRIPTION	REV.
		Ref	FIXED AXLE INSTALLATION OPTIONS:	
	0259153	Ref	Prior to SN 0300067471	C
	0272275	Ref	SN 0300067471 to SN 0300072506	A
	0272903	Ref	SN 0300072506 to SN 0300096000	A
1	0100011	AR	Compound, Locking	
2	0362965	2	Bar, Stop	
3	0641606	4	Bolt 3/8in-16NC x 3/4in	
4	0641620	2	Bolt 3/8in-16NC x 2-1/2in	
5	0642012	1	Bolt 5/8in-11NC x 1-1/2in	
6	0961950	2	Bushing, Garmax	
7	3422592	1	Pin, Axle Pivot	
8	0362954	2	Plate, Stop	
9	3841258	1	Keeper, Pin	
10		1	Shield, Frame Options:	
	4060978		Prior to SN 0300072506	
	3574254		SN 0300072506 to SN 0300096000	
11	4070973	AR	Shim 1/8in	
12	4070972	AR	Shim 3/16in	
13	4740158	1	Thrustwasher	
14	4751600	6	Flatwasher 3/8in Regular	
15	4761600	4	Lockwasher 3/8in	
16		1	Axle Weldment Options:	
	4846069		Prior to SN 0300067471	
	4846550		SN 0300067471 to SN 0300096000	
		Ref	Note: If kingpin holes in axle measure 1.503in diameter or larger in any direction, axle weldment must be replaced. See Field Service Bulletin AWP-04-11.	
17	4071002	AR	Shim 20-Gauge	
		Ref	OSCILLATING AXLE INSTALLATION OPTIONS:	
	0259151	Ref	Prior to SN 0300065402	E
	0271978	Ref	SN 0300065402 to SN 0300072506	A
	0272901	Ref	SN 0300072506 to SN 0300096000	A
101	0100011	AR	Compound, Locking	
102	0641414	4	Bolt 1/4in-20NC x 1-3/4in	
103	0641606	4	Bolt 3/8in-16NC x 3/4in	
104	0642010	2	Bolt 5/8in-11NC x 1-1/4in	
105	0642012	1	Bolt 5/8in-11NC x 1-1/2in	
106	0682248	2	Bolt 3/4in-10NC x 6in (Grade 8)	
107	0961950	2	Bushing, Garmax	
108	1100118	1	Cam, Lockout	
109		2	Lockout Cylinder Assembly Options (See CYLINDER SECTION for Breakdown):	
	Use 1684139		Prior to SN 0300065402 (was p/n 1683575)	
	1684139		SN 0300065402 to SN 0300096000	
110	3272201	2	Nut 3/4in-10NC	
111	3322201	2	Nut 3/4in-16NF (Prior to SN 0300065402)	

SECTION 1 FRAME

FIGURE 1-3. AXLE & STEERING INSTALLATION - 4WD (CONTINUED)

ITEM #	PART NUMBER	QTY.	DESCRIPTION	REV.
112	3422592	1	Pin, Axle Pivot	
113	3841258	1	Keeper, Pin	
114	3841367	2	Rod-End with Grease Fitting (Prior to SN 0300065402)	
	7020180	1	Grease Fitting	
115		2	Hardware Options:	
	3900109		Screw, Shoulder (Prior to SN 0300065402)	
	3422936		Pin (SN 0300065402 to SN 0300096000)	
116		1	Shield, Frame Options:	
	4060978		Prior to SN 0300072506	
	3574254		SN 0300072506 to SN 0300096000	
117	4567462	2	Tube, Mounting	
118	4640871	1	Lockout Valve Assembly	
	7012693	1	Seal Kit - 4640871 Valve	
	7002840	1	Anti-Rotation Pin Removal Tool	
119	4711400	4	Flatwasher 1/4in Thin	
120	4740158	1	Thrustwasher	
121	4751600	4	Flatwasher 3/8in Regular	
122	4752000	4	Flatwasher 5/8in Regular	
123	4761600	4	Lockwasher 3/8in	
124		1	Axle Weldment Options:	
	4846069		Prior to SN 0300067471	
	4846550		SN 0300067471 to SN 0300096000	
		Ref	Note: If kingpin holes in axle measure 1.503in diameter or larger in any direction, axle weldment must be replaced. See Field Service Bulletin AWP-04-11.	
125	4892200	4	Flatwasher 3/4in Hardened	
126	0100019	AR	Compound, Locking	
127	Not Used			
128	0641607	2	Bolt 3/8in-16NC x 7/8in (SN 0300065402 to SN 0300096000)	
129	3841520	2	Keeper, Pin (SN 0300065402 to SN 0300096000)	
		Ref	STEERING INSTALLATION	
	0259149	Ref	Prior to SN 0300076633	D
	0272927	Ref	SN 0300076633 to SN 0300096000	G
201	0100011	AR	Compound, Locking	
202		AR	Thrustwasher Options:	
	0440161	4	Prior to SN 79125 (Top and Bottom Kingpin Location) (Note: See Kit)	
	4740537	AR	SN 0300079125 to SN 0300096000 (.0625) (Top Kingpin Location)	
	4740538	AR	SN 0300079125 to SN 0300096000 (.125) (Top Kingpin Location)	
	4740539	AR	SN 0300079125 to SN 0300096000 (.188) (Top Kingpin Location)	
	4740540	AR	SN 0300079125 to SN 0300096000 (.250) (Top Kingpin Location)	
	0440271	2	SN 0300079125 to SN 0300096000 (Bottom Kingpin Location)	

SECTION 1 FRAME

FIGURE 1-3. AXLE & STEERING INSTALLATION - 4WD (CONTINUED)

ITEM #	PART NUMBER	QTY.	DESCRIPTION	REV.
203	0641606	AR	Bolt 3/8in-16NC x 3/4in	
		8	Prior to SN 0300079125	
		16	SN 0300079125 to SN 0300096000	
204	0681828	4	Bolt 1/2in-13NC x 3-1/2in	
205		AR	Bushing, Garmax Options:	
	0961951	4	Prior to SN 0300079125 (Top & Bottom Kingpin Locations) (Note: See Kit)	
	0440291	2	SN 0300079125 to SN 0300096000 (Top Kingpin Location)	
	0440274	2	SN 0300079125 to SN 0300096000 (Bottom Kingpin Location)	
206	0962140	2	Bearing, Garmax	
207		1	Steer Cylinder Assembly Options (See CYLINDER SECTION for Breakdown):	
	Use 1684412		Prior to SN 0300087392 (was p/n 1683614)	
	1684412		SN 0300087392 to SN 0300096000 (was p/n 1001140283)	
208	3312008	4	Nut 5/8in-11NC	
209	3322201	2	Nut 3/4in-16NF	
210		4	Kingpin Options:	
	3422716		Prior to SN 0300079125 (2 Bolt Mounting) (Note: See Kit)	
	3423081		SN 0300079125 to SN 0300096000 (4 Bolt Mounting)	
211	Use 3841517	2	Rod-End (was p/n 3841367 Rod-End with p/n 7020180 Grease Fitting)	
		Ref	Note: Qty (1) p/n 4740086 Thrustwasher required between bottom of p/n 3841517 Rod-End and Tie Rod.	
212	3900109	4	Screw, Shoulder	
213	4060950	1	Shield, Frame (Prior to SN 0300072506 Only)	
214		1	Spindle (Left Side) Options:	
	Use 4130403		Prior to SN 0300079125 (was p/n 4130368)	
	4130405		SN 0300079125 to SN 0300096000	
215		1	Spindle (Right Side) Options:	
	Use 4130404		Prior to SN 0300079125 (was p/n 4130369)	
	4130406		SN 0300079125 to SN 0300096000	
216	4740086	4	Thrustwasher	
217	4751800	4	Flatwasher 1/2in Regular	
218	4846070	2	Tie-Rod	
219	3780182	2	O-Ring (SN 0300079125 to SN 0300096000 Only) (Bottom Kingpin Location Only)	
220 to 223	Not Used			
224	3020029	AR	Grease, Bearing	
300	2902400		Kingpin and Bushings Update Kit for Machines Built Prior to SN 0300079125 (Includes Newer "SN 0300079125 to SN 0300096000" Design Items 202, 203, 205, 210 and 219). See Field Service Bulletin AWP-04-11.	
		Ref	Note: Newer bushings will fit in "Prior to SN 0300079125" axles however if kingpin holes measure 1.503in diameter or larger in any direction, axle weldment must be replaced before installation of kit. Note: Spindles require drilling and tapping for 8 additional kingpin mtg bolts. Newer design kingpins require 4 mtg bolts each.	

SECTION 1 FRAME

FIGURE 1-3. AXLE & STEERING INSTALLATION - 4WD (CONTINUED)

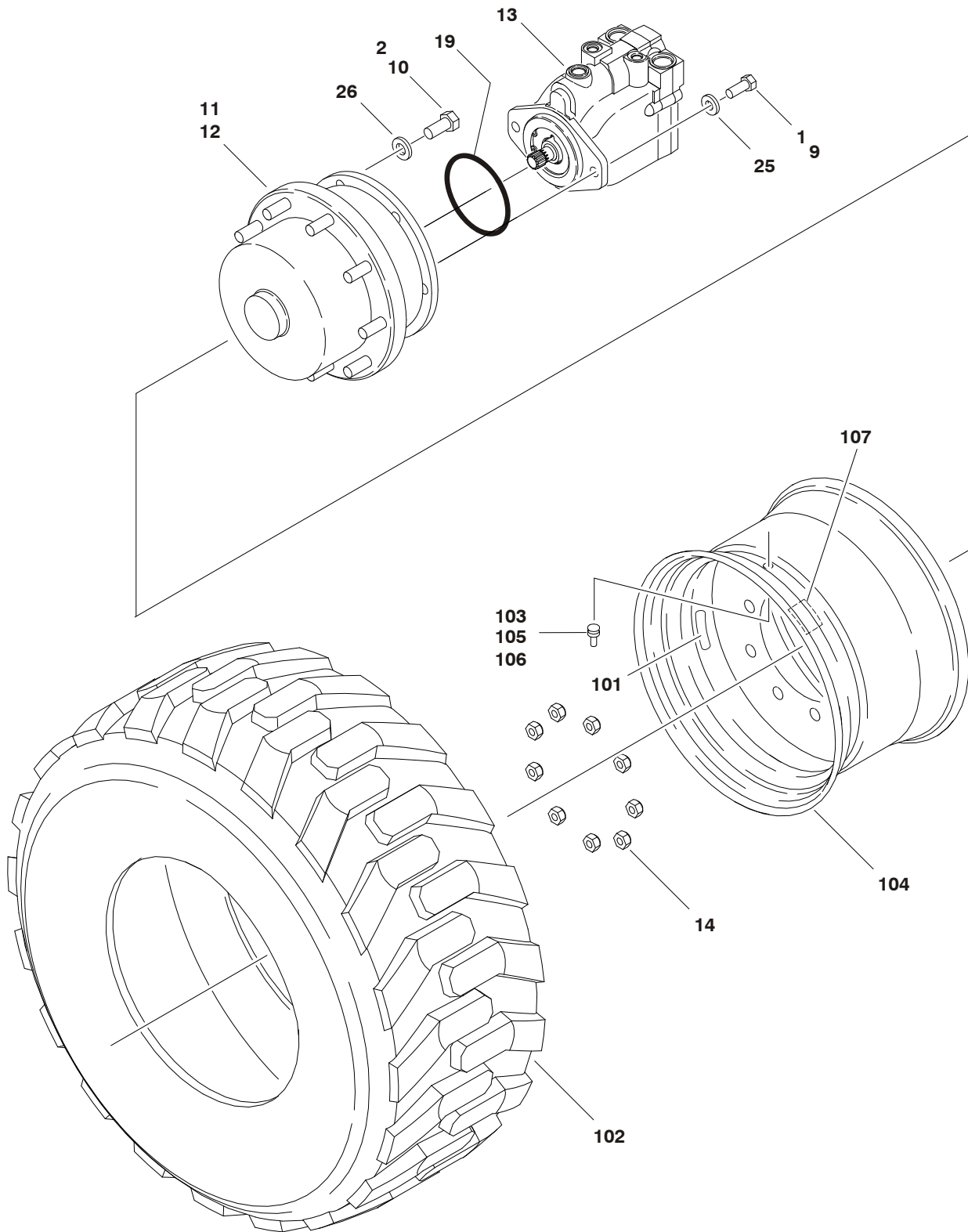
ITEM #	PART NUMBER	QTY.	DESCRIPTION	REV.
401		Ref	FRAME WELDMENT OPTIONS 400S with 500Lbs Capacity (Prior to SN 0300072506) 400S with 500Lbs Capacity (SN 0300072506 to SN 0300076633) 400S with 500Lbs Capacity (SN 0300076633 to SN 0300096000) 400S with 750Lbs Capacity (Prior to SN 0300072506) 400S with 750Lbs Capacity (SN 0300072506 to SN 0300076633) 400S with 750Lbs Capacity (SN 0300076633 to SN 0300096000) 460SJ (Prior to SN 0300072506) 460SJ (SN 0300072506 to SN 0300076633) 460SJ (SN 0300076633 to SN 0300096000)	

FIGURE 1-3. AXLE & STEERING INSTALLATION - 4WD (CONTINUED)

ITEM #	PART NUMBER	QTY.	DESCRIPTION	REV.

SECTION 1 FRAME

FIGURE 1-4. TIRE AND WHEEL DRIVE INSTALLATIONS



SECTION 1 FRAME

FIGURE 1-4. TIRE AND WHEEL DRIVE INSTALLATIONS

ITEM #	PART NUMBER	QTY.	DESCRIPTION	REV.
		Ref	WHEEL DRIVE INSTALLATIONS	
	0259145	Ref	2WD Prior to SN 0300072506	H
	0272784	Ref	2WD SN 0300072506 to SN 0300076633	A
	0272926	Ref	2WD SN 0300076633 to SN 0300096000	A
	0259146	Ref	4WD Prior to SN 0300072506	J
	0272783	Ref	4WD SN 0300072506 to SN 0300076633	A
	0272925	Ref	4WD SN 0300076633 to SN 0300096000	C
1	0100011	AR	Compound, Locking	
2	0100019	AR	Compound, Locking	
3 to 8	Not Used			
9		AR	Hardware Options:	
	0681810		Bolt 1/2in-13NC x 1-1/4in (Grade 8)	
	3311801		Nut 1/2in-13NC (2WD SN 0300076633 to SN 0300096000 Only) (Not Shown)	
10		AR	Bolt 5/8in-11NC x 1-1/2in (Grade 8)	
	0682012		Bolt 5/8in-11NC x 1-1/2in (Grade 8) (Prior to SN 0300076633)	
	0682014		Bolt 5/8in-11NC x 1-3/4in (Grade 8) (SN 0300076633 to SN 0300096000)	
11		AR	Drive Hub Assembly Options:	
	Not Required	0	2WD Front	
			4WD Rear	
	2780246	2	Prior to SN 0300076633 (See DRIVE HUB ASSEMBLY for Breakdown)	
	2780268	2	SN 0300076633 to SN 0300096000 (See DRIVE HUB AND HUB WITH BRAKE ASSEMBLIES for Breakdown)	
12		2	Drive Hub/Brake Assembly Options:	
			2WD Rear	
	2780243		Prior to SN 0300064140 (See DRIVE HUB/BRAKE ASSEMBLY for Breakdown)	
	2780253		SN 0300064140 to SN 0300076633 (See DRIVE HUB/BRAKE ASSEMBLY for Breakdown)	
	2780267		SN 0300076633 to SN 0300096000 (See DRIVE HUB AND HUB WITH BRAKE ASSEMBLIES for Breakdown)	
			4WD Rear	
	2780244		Prior to SN 0300057477 (See DRIVE HUB/BRAKE ASSEMBLY for Breakdown)	
	2780254		SN 0300057477 to SN 0300076633 (See DRIVE HUB/BRAKE ASSEMBLY for Breakdown)	
	2780267		SN 0300076633 to SN 0300096000 (See DRIVE HUB AND HUB WITH BRAKE ASSEMBLIES for Breakdown)	
13		AR	Drive Motor Assembly Options:	
			2WD Rear	
	Use 3160353	2	Prior to SN 0300076633 (was p/n 3160242 - See DRIVE MOTOR ASSEMBLY (4 BOLT) for Breakdown) (For 3160353 - See DRIVE MOTOR ASSEMBLY (5 BOLT) for Breakdown)	
	Use 3160351	2	SN 0300076633 to SN 0300096000 (was p/n 3160298 - See DRIVE MOTOR ASSEMBLY (4 BOLT) for Breakdown) (For 3160351 - See DRIVE MOTOR ASSEMBLY (5 BOLT) for Breakdown)	

SECTION 1 FRAME

FIGURE 1-4. TIRE AND WHEEL DRIVE INSTALLATIONS (CONTINUED)

ITEM #	PART NUMBER	QTY.	DESCRIPTION	REV.
		4	4WD Front & Rear	
	Use 3160354	4	Prior to SN 0300076633) (was p/n 3160243 - See DRIVE MOTOR ASSEMBLY (4 BOLT) for Breakdown) (For 3160354 - See DRIVE MOTOR ASSEMBLY (5 BOLT) for Breakdown)	
	Use 3160348	4	SN 0300076633 to SN 0300096000) (was p/n 3160266 - See DRIVE MOTOR ASSEMBLY (4 BOLT) for Breakdown) (For 3160348 - See DRIVE MOTOR ASSEMBLY (5 BOLT) for Breakdown)	
14	3300106	AR	Lugnut (9 Per Hub)	
15 to 18	Not Used			
19	3790045	AR	O-Ring (1 Per Motor)	
20 to 24	Not Used			
25	4891800	AR	Flatwasher 1/2in Hardened	
26	4892000	AR	Flatwasher 5/8in Hardened	
27	2300016	5.4oz	Fluid, Hydraulic (Not Shown - Use with Brake)	
		Ref	TIRE AND WHEEL INSTALLATIONS	
	0270091	Ref	12 x 16.5 Pneumatic	A
	0270650	Ref	12 x 16.5 Pneumatic (Non-Marking)	A
	0272924	Ref	12 x 16.5 Pneumatic LT	A
	0272310	Ref	12 x 16.5 Pneumatic TS	1
	0270092	Ref	12 x 16.5 Foam-Filled	A
	0270653	Ref	12 x 16.5 Foam-Filled (Non-Marking)	A
	0259351	Ref	14 x 17.5 Pneumatic (Prior to SN 0300064803)	A
	0271995	Ref	14 x 17.5 Pneumatic (SN 0300064803 to SN 0300096000)	A
	0272311	Ref	14 x 17.5 Pneumatic TS	1
	0259354	Ref	14 x 17.5 Foam-Filled (Prior to SN 0300064803)	A
	0271998	Ref	14 x 17.5 Foam-Filled (SN 0300064803 to SN 0300096000)	A
	0270093	Ref	33/16LL x 16.1 Pneumatic	A
	0270094	Ref	33/16LL x 16.1 Foam-Filled	A
	0270074	2	12 x 16.5 Pneumatic Right Side	A
	0270075	2	12 x 16.5 Pneumatic Left Side	A
	0272923	4	12 x 16.5 Pneumatic (LT)	A
	0272336	2	12 x 16.5 Pneumatic Right Side (TS)	A
	0272337	2	12 x 16.5 Pneumatic Left Side (TS)	A
	0270651	2	12 x 16.5 Pneumatic Right Side (Non-Marking)	A
	0270652	2	12 x 16.5 Pneumatic Left Side (Non-Marking)	A
	0270076	2	12 x 16.5 Foam-Filled Right Side (See Note)	A
	0270077	2	12 x 16.5 Foam-Filled Left Side (See Note)	A
	0270654	2	12 x 16.5 Foam-Filled Right Side (Non-Marking) (See Note)	A
	0270655	2	12 x 16.5 Foam-Filled Left Side (Non-Marking) (See Note)	A
	0259352	2	14 x 17.5 Pneumatic Right Side (Prior to SN 0300064803)	B
	0271993	2	14 x 17.5 Pneumatic Right Side (SN 0300064803 to SN 0300096000)	A
	0259353	2	14 x 17.5 Pneumatic Left Side (Prior to SN 0300064803)	B
	0271994	2	14 x 17.5 Pneumatic Left Side (SN 0300064803 to SN 0300096000)	A
	0272352	2	14 x 17.5 Pneumatic Right Side (TS)	A
	0272353	2	14 x 17.5 Pneumatic Left Side (TS)	A

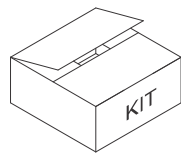
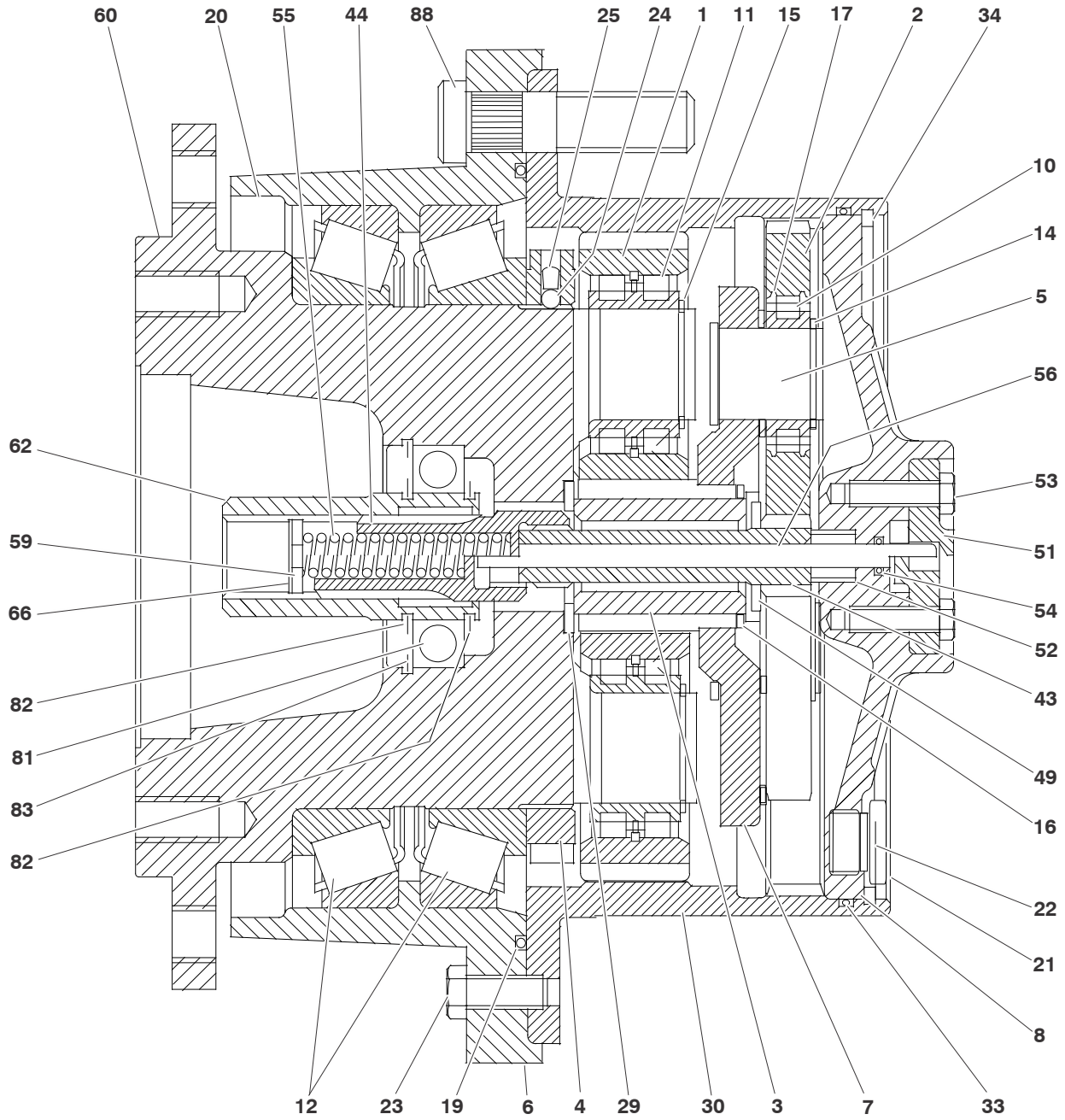
SECTION 1 FRAME

FIGURE 1-4. TIRE AND WHEEL DRIVE INSTALLATIONS (CONTINUED)

ITEM #	PART NUMBER	QTY.	DESCRIPTION	REV.
	0259355	2	14 x 17.5 Foam-Filled Right Side (See Note) (Prior to SN 0300064803)	B
	0271997	2	14 x 17.5 Foam-Filled Right Side (See Note) (SN 0300064803 to SN 0300096000)	A
	0259356	2	14 x 17.5 Foam-Filled Left Side (See Note) (Prior to SN 0300064803)	B
	0271996	2	14 x 17.5 Foam-Filled Left Side (See Note) (SN 0300064803 to SN 0300096000)	A
	0270078	4	33/16LL x 16.1 Pneumatic	A
	0270079	4	33/16LL x 16.1 Foam-Filled (See Note)	A
		Ref	Note: Assemblies may require ballast/foam filling to manufacturer's specifications prior to installing on a machine. Refer to Operation & Safety or Service & Maintenance Manuals. Purchase individual tire and/or rim only if able to foam fill tire & wheel assembly, otherwise, purchase complete assembly.	
101		1	Decal Options (Pneumatic Only):	
	1702740	1	Decal - 90PSI	
	1702738	1	Decal - 45PSI	
	1703067	1	Decal - 40PSI	
102		1	Tire Options:	
	4520216		12 x 16.5 NHS	
	4520240		12 x 16.5 NHS (Non-Marking)	
	4520266		12 x 16.5 LT	
	4520212		14 x 16.1	
	Use 4520259		14 x 17.5 NHS (p/n was 4520171) (Prior to SN 0300064803)	
	4520259		14 x 17.5 NHS (SN 0300064803 to SN 0300096000)	
	4520212		33/16LL x 16.1	
103	4640113	1	Valve, Air (Pneumatic Only)	
104		1	Rim, Wheel	
	4860214		16.1 x 14 (Use with 33/16LL x 16.1 and 14 x 16.1Tires)	
	4860213		16.5 x 9.75 (Use with 12 x 16.5 Tires)	
	4860198		17.5 x 10.50 (Use with 14 x 17.5 Tires)	
105	1120552	1	Cap, Valve Stem (Green) (Pneumatic TS Tires Only)	
106	1300019	AR	Chemical, Tire Sealant (Pneumatic TS Tires Only)	
107	1705364	1	Decal - Tire Sealant (Pneumatic TS Tires Only)	

SECTION 1 FRAME

FIGURE 1-5. DRIVE HUB ASSEMBLY (4WD FRONT) (PRIOR TO SN 0300076633)



- 100A
- 100B
- 100C
- 100D
- 100E

SECTION 1 FRAME

FIGURE 1-5. DRIVE HUB ASSEMBLY (4WD FRONT) (PRIOR TO SN 0300076633)

ITEM #	PART NUMBER	QTY.	DESCRIPTION	REV.
	2780246	Ref	DRIVE HUB ASSEMBLY (4WD FRONT)	A
1	Use 7022544	4	Gear, Planet	
2	Use 7022545	3	Gear, Planet	
3	7021325	1	Gear, Sun	
4	Use 7021330	1	Nut, Shaft	
		Ref	Note: Unless there is capability to torque shaft nut (Item 4) to 626 ft/lbs. (850Nm) Repair beyond this level is not advised.	
5	7021326	3	Bolt, Planet	
6	7021327	1	Ring, Support	
7	7021328	1	Carrier, Planet	
8	Use 7021329	1	Cover	
9	Not Used			
10	Use 7022545	3	Bearing, Roller	
11	Use 7022544	4	Bearing, Roller	
12	Use 7021330	2	Bearing, Roller	
13	Not Used			
14	Use 7022545	3	Ring, Retaining	
15	Use 7022544	4	Ring, Retaining	
16	Not Used			
17	Use 7022545	3	Disk, Support	
18 to 19	Not Used			
20	Use 7021330	1	Seal, Ring	
21	Use I7021329	3	Plug	
22	Use 7021329	3	Seal, Ring	
23	7021342	3	Bolt	
24	Use 7021330	2	Ball	
25	Use I7021330	2	Expander	
26 to 29	Not Used			
30	7021346	1	Gear, Ring	
31 to 32	Not Used			
33	Use 7021329	1	O-Ring	
34	Use 7021329	1	Ring, Retaining	
35 to 42	Not Used			
43	7021347	1	Shaft, Sun Gear	
44	7021337	1	Shaft, Input	
45 to 50	Not Used			
51	Use 7021329	1	Cover	
52	Use 7021329	1	Disk	
53	Use 7021329	2	Bolt	
54	See Note	1	O-Ring (Note: Use Item 101B or 101E)	
55	Use 7021338	1	Spring, Pressure	
56	Use 7021338	1	Rod, Shaft	
57 to 58	Not Used			
59	Use 7021338	1	Disk, Rotor	
60	7021339	1	Spindle	
61	Not Used			
62	7021340	1	Coupler	
63 to 65	Not Used			

SECTION 1 FRAME

FIGURE 1-5. DRIVE HUB ASSEMBLY (4WD FRONT) (PRIOR TO SN 0300076633)

ITEM #	PART NUMBER	QTY.	DESCRIPTION	REV.
66	Use 7021338	1	Ring, Retaining	
67 to 80	Not Used			
81	Use 7021330	1	Bearing, Ball	
82 to 87	Not Used			
88	7021344	9	Stud, Wheel	
100		Ref	Repair Kit Options:	
100A	7022544	1	Planet Gear (Includes Qty 4 of Items 1, 11 & 15)	
100B	7022545	1	Planet Gear (Includes Qty 3 of Items 2, 10, 14 & 17)	
100C	7021329	1	Cover Kit (Includes Items 8, 21, 22, 33, 34, 51, 52, 53 & 54)	
100D	7021330	1	Bearing Kit (Includes Items 4, 12, 20, 24, 25 & 81)	
		Ref	Note: Unless there is capability to torque shaft nut (Item 4) to 626 ft/lbs. (850Nm) Repair beyond this level is not advised.	
100E	7021338	1	Mechanical Disconnect Kit (Includes Items 54-56, 59 & 66)	

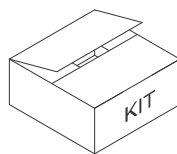
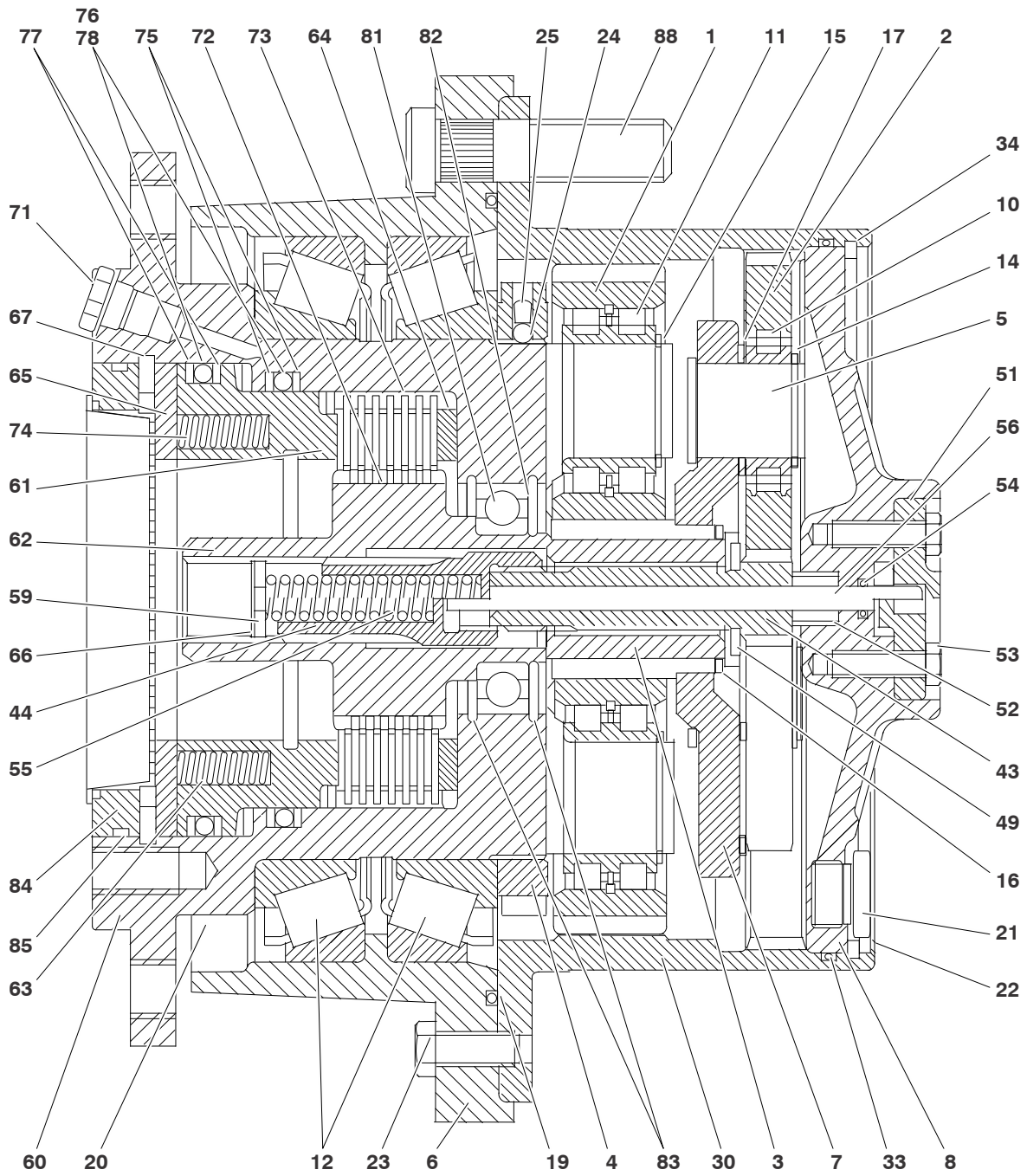
SECTION 1 FRAME

FIGURE 1-5. DRIVE HUB ASSEMBLY (4WD FRONT) (PRIOR TO SN 0300076633)

ITEM #	PART NUMBER	QTY.	DESCRIPTION	REV.

SECTION 1 FRAME

FIGURE 1-6. DRIVE HUB/BRAKE ASSEMBLY (REAR) (PRIOR TO SN 0300076633)



- 100A
- 100B
- 101A
- 101B
- 101C
- 101D
- 101E
- 101F

SECTION 1 FRAME

FIGURE 1-6. DRIVE HUB/BRAKE ASSEMBLY (REAR) (PRIOR TO SN 0300076633)

ITEM #	PART NUMBER	QTY.	DESCRIPTION	REV.
		Ref	DRIVE HUB/BRAKE ASSEMBLIES	
	2780243	Ref	2WD Rear (Prior to SN 0300064140)	A
	2780253	Ref	2WD Rear (SN 0300064140 to SN 0300096000)	A
	2780244	Ref	4WD Rear (Prior to SN 0300057477)	A
	2780254	Ref	4WD Rear (SN 0300057477 to SN 0300096000)	A
1	Use 7022544	4	Gear, Planet	
2	Use Item 101B	3	Gear, Planet	
3	7021325	1	Gear, Sun	
4	Use 7021330	1	Nut, Shaft	
		Ref	Note: Unless there is capability to torque shaft nut (Item 4) to 626 ft/lbs. (850Nm) Repair beyond this level is not advised.	
5	7021326	3	Pin, Planet	
6	7021327	1	Ring, Support	
7		1	Carrier, Planet Options:	
	7021349		2780243 & 2780253 Hub (2WD Rear)	
	7021328		2780244 & Hub 2780254 (4WD Rear)	
8	Use 7021329	1	Cover	
9	Not Used			
10	See Note	3	Bearing, Roller (Note: Use Item 101B)	
11	Use 7022544	4	Bearing, Roller	
12	Use 7021330	2	Bearing, Roller	
13	Not Used			
14	See Note	3	Ring, Retaining (Note: Use Item 101B)	
15	Use 7022544	4	Ring, Retaining	
16	7021341	1	Ring, Retaining	
17	See Note	3	Disk, Support (Note: Use Item 101B)	
18	Not Used			
19	Use 7021330	1	O-Ring	
20	Use 7021330	1	Seal, Ring	
21	Use 7021329	3	Plug	
22	Use 7021329	3	Seal, Ring	
23	7021342	3	Bolt	
24	Use 7021330	2	Ball	
25	Use 7021330	2	Expander	
26 to 29	Not Used			
30		1	Gear, Ring Options:	
	7021335		2780243 & 2780253 Hub (2WD Rear)	
	7021346		2780244 & Hub 2780254 (4WD Rear)	
31 to 32	Not Used			
33	Use 7021329	1	O-Ring	
34	Use 7021329	1	Ring, Retaining	
35 to 42	Not Used			
43		1	Shaft, Sun Gear Options:	
	7021351		2780243 & 2780253 Hub (2WD Rear)	
	7021347		2780244 & Hub 2780254 (4WD Rear)	
44	7021337	1	Shaft, Input	
45 to 50	Not Used			

SECTION 1 FRAME

FIGURE 1-6. DRIVE HUB/BRAKE ASSEMBLY (REAR) (PRIOR TO SN 0300076633)

ITEM #	PART NUMBER	QTY.	DESCRIPTION	REV.
51	Use 7021329	1	Cover	
52	Use 7021329	1	Disk	
53	See Note	2	Bolt (Note: Purchase Item 101C or 101E)	
54	See Note	1	O-Ring (Note: Purchase Item 101C or 101E)	
55	Use 7021338	1	Spring, Pressure	
56	Use 7021338	1	Rod, Shaft	
57 to 58	Not Used			
59	Use 7021338	1	Disk, Rotor	
60		AR	Spindle Options:	
	7021352	1	2780243/2780253 Hub (2WD Rear)/2780244 Hub (4WD Rear)	
	Use 2780254	0	2780254 Hub (4WD Rear) (Note: Not Available - Purchase Complete Drive Hub/Brake Assembly)	
61	See Note	1	Housing, Brake (Note: Not Available for Purchase)	
62		1	Coupler Options:	
	7021340		2780243 & 2780253 Hub (2WD Rear)	
	7021359		2780244 & Hub 2780254 (4WD Rear)	
63		AR	Ring, Spacer Options:	
	Not Required	0	2780243 Hub (2WD Rear)/2780244 Hub (4WD Rear)	
	7022549	1	2780253 Hub (2WD Rear)/2780254 Hub (4WD Rear)	
64		AR	Plate, Back-up Options:	
	7021354	1	2780243 Hub (2WD Rear)/2780244 Hub (4WD Rear)	
	Not Required	0	2780253 Hub (2WD Rear)/2780254 Hub (4WD Rear)	
65	7021355	1	Plate, Back-up	
66	Use 7021338	1	Ring, Retaining	
67	7021356	1	Ring, Retaining	
68 to 70	Not Used			
71		1	Plug Options:	
	7021357		2780243 Hub (2WD Rear)/2780244 Hub (4WD Rear)	
	7022551		2780253 Hub (2WD Rear)/2780254 Hub (4WD Rear)	
72	See Note	6	Disc, Brake (Note: Use Item 101F)	
73	See Note	7	Disc, Brake (Note: Use Item 101F)	
74	See Note	8	Spring (Note: Use Item 101F)	
75	Use 7022547	2	Ring, Back-up	
76	Use 7022547	1	O-Ring	
77	Use 7022547	2	Ring, Back-up	
78	Use 7022547	1	O-Ring	
79 to 80	Not Used			
81	Use 7021330	1	Bearing, Ball	
82 to 83	Not Used			
84	7021358	1	Ring, Seal	
85	7024980	1	Seal	
86 to 87	Not Used			
88	7021344	9	Stud, Wheel	

100		AR	Seal Kit Options:	
100A	See Note	1	Hub Seal Kit (Note: Purchase Repair Kit that includes Seals Needed)	
100B	7022547	1	Brake Seal Kit (Includes Items 75, 76, 77 & 78)	

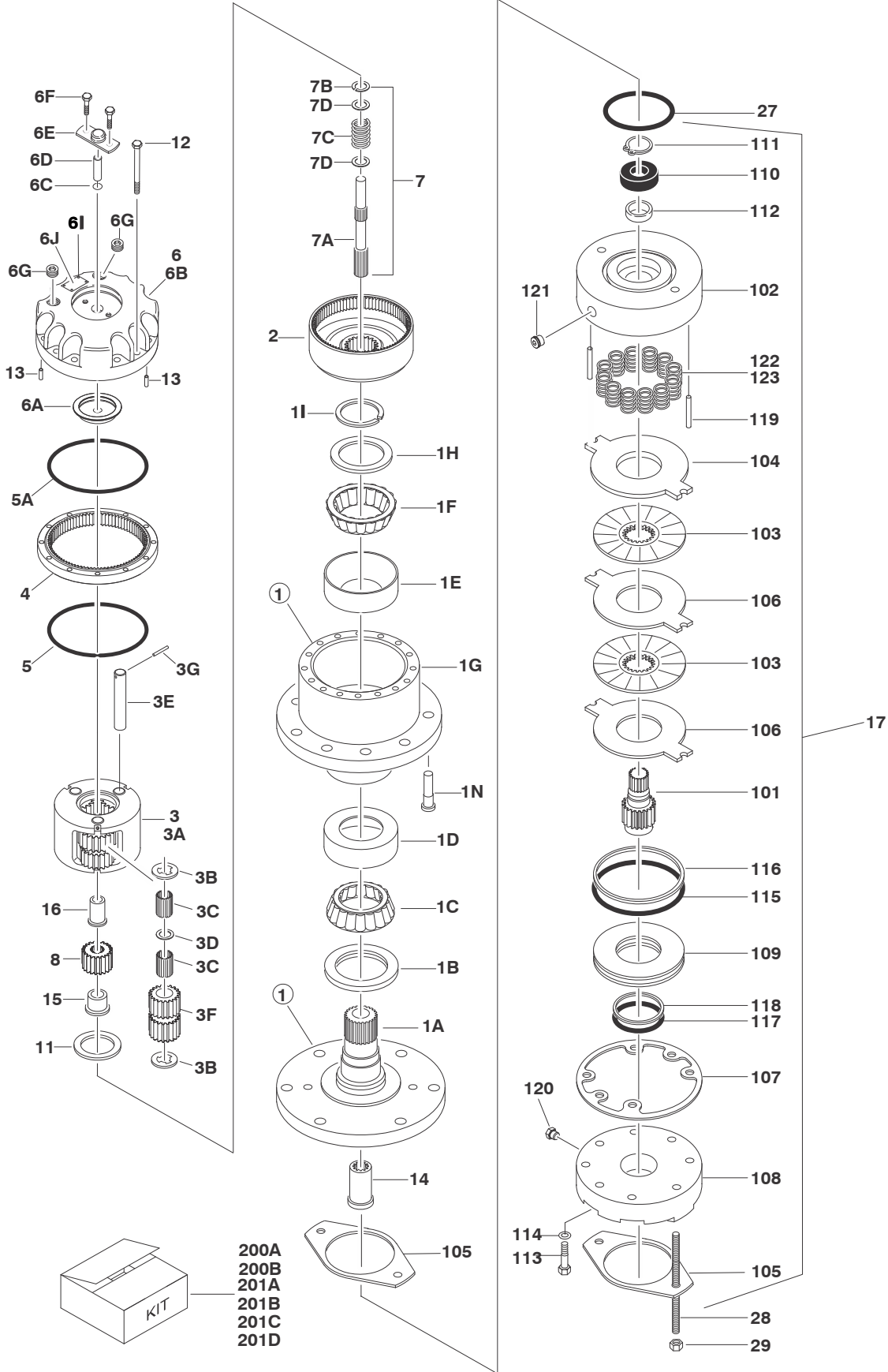
SECTION 1 FRAME

FIGURE 1-6. DRIVE HUB/BRAKE ASSEMBLY (REAR) (PRIOR TO SN 0300076633)

ITEM #	PART NUMBER	QTY.	DESCRIPTION	REV.
101		AR	Repair Kit Options:	
101A	7022544	1	Planet Gear (Includes Qty 4 of Items 1, 11 & 15)	
101B		1	Planet Gear (Includes Qty 3 of Items 2, 10, 14 & 17) Options:	
	7024017		2780243/2780253 Hub (2WD Rear)	
	7022545		2780244/2780254 Hub (4WD Rear)	
101C	7021329	1	Cover Kit (Includes Items 8,21, 22, 33, 34, 51, 52, 53 & 54)	
101D	7021330	1	Bearing Kit (Includes Items 4, 12, 19, 20, 24, 25 & 81)	
		Ref	Note: Unless there is capability to torque shaft nut (Item 4) to 626 ft/lbs. (850Nm) Repair beyond this level is not advised.	
101E	7021338	1	Mechanical Disconnect Kit (Includes Items 53, 54, 55, 56, 59 & 66)	
101F		1	Brake Kit (Includes Items 72, 73 & 74)	
	7024026		2780243 (2WD Rear)/2780244 Hub (4WD Rear)	
	7022548		2780253 Hub (2WD Rear)/2780254 Hub (4WD Rear)	

SECTION 1 FRAME

FIGURE 1-7. DRIVE HUB AND HUB WITH BRAKE ASSEMBLIES (SN 0300076633 TO SN 0300096000)



SECTION 1 FRAME

FIGURE 1-7. DRIVE HUB AND HUB WITH BRAKE ASSEMBLIES (SN 0300076633 TO SN 0300096000)

ITEM #	PART NUMBER	QTY.	DESCRIPTION	REV.
		Ref	DRIVE HUB ASSEMBLIES	
	2780268	Ref	Drive Hub without Brake Assembly (4WD Front) (Includes Items 1-16)	A
	2780267	Ref	Drive Hub with Brake Assembly (2WD & 4WD Rear) (Includes Items 1-123)	B
1	See Note	1	Spindle/Housing Assembly (Note: Not Available - Purchase Complete Drive Hub Assembly)	
1A	7027059	1	Spindle	
1B	7001998	1	Seal	
1C	7010429	1	Cone, Bearing (Includes Item 1D)	
1D	7010429	1	Cup, Bearing (Includes Item 1C)	
1E	7000257	1	Cup, Bearing	
1F	7000258	1	Cone, Bearing	
1G	7007601	1	Housing/Ring Gear	
1H	7000232	1	Thrustwasher	
1I	7000229	1	Ring, Retaining	
1J	Not Used			
1K	Not Used			
1L	Not Used			
1M	Not Used			
1N	7007640	9	Stud, Wheel	
2	7000246	1	Gear, Internal	
3	7024712	1	Carrier Assembly (Purchase p/n 7024712 for items 3A-3G)	
3A	Use 7024712	1	Carrier (Not Available for Purchase)	
3B	Use 7024712	6	Ring, Retaining	
3C	Use 7024712	AR	Bearing, Needle	
3D	Use 7024712	3	Thrustwasher	
3E	Use 7024712	3	Shaft, Planet	
3F	Use 7024712	3	Gear, Planet	
3G	Use 7024712	3	Rollpin	
4	7000248	1	Ring Gear	
5	7000230	1	O-Ring	
5A	7017070	1	O-Ring	
6	Use 70001349	1	Cover Assembly (was p/n 7017090) (Purchase p/n 70001349 for items 6A-6J)	
6A	Use 70001349	1	Spacer, Thrust (was p/n 7017097)	
6B	Use 70001349	1	Plate, Cover (was p/n 7017091)	
6C	Use 70001349	1	O-Ring (was p/n 7017095)	
6D	Use 70001349	1	Rod, Disconnect (was p/n 7017092)	
6E	Use 70001349	1	Cap, Disengage (was p/n 7017093)	
6F	0641404	2	Bolt 1/2in-20NC x 1/2in	
6G	Use 70001349	1	Plug, Pipe (was p/n 7017094)	
6H	Not Used			
6I	Use 70001349	4	Rivet	
6J	Use 70001349	1	Plate, ID	
7		1	Input Shaft Assembly	
7A	7024714	1	Shaft	
7B	7000261	1	Ring, Retaining	

SECTION 1 FRAME

FIGURE 1-7. DRIVE HUB AND HUB WITH BRAKE ASSEMBLIES (SN 0300076633 TO SN 0300096000) (CONTINUED)

ITEM #	PART NUMBER	QTY.	DESCRIPTION	REV.
7C	7000262	1	Spring	
7D	7000263	2	Spacer, Thrust	
8	7024713	1	Gear, Sun	
9 to 10	Not Used			
11	7000253	1	Thrustwasher	
12	7017067	12	Bolt	
13	7017080	4	Pin, Dowell	
14	7000206	1	Coupling	
15	7024715	1	Spacer, Input	
16	7024716	1	Spacer, Input	
17	7024182	1	Brake Assembly (See Items 101-123 for Breakdown)	
18 to 26	Not Used			
27	7024705	1	O-Ring	
28	7024717	2	Rod, Threaded	
29	7024718	2	Nut 1/2in-13NC	
	7024182	Ref	BRAKE ASSEMBLY	
101	7024189	1	Shaft	
102	Use 7024182	1	Housing (Note: Not Available - Purchase Complete Brake Assembly)	
103	Use 7024193	2	Plate, Friction	
104	Use 7024193	1	Plate, Pressure	
105	7000731	2	Gasket	
106	Use 7024193	2	Plate, Outer	
107	See Note	1	Gasket (Note: Use Item 200B, 201C or 201D)	
108	7024191	1	Cylinder	
109	7024192	1	Piston	
110	Use 7024197	1	Bearing, Ball	
111	Use 7024197	1	Ring, Retaining	
112	Use 7024197	1	Seal, Shaft	
113	See Note	6	Capscrew (Note: Not Available - Purchase Locally)	
114	See Note	6	Lockwasher (Note: Not Available - Purchase Locally)	
115	Use 7024194	1	O-Ring	
116	Use 7024194	1	Ring, Back-up	
117	Use 7024194	1	O-Ring	
118	Use 7024194	1	Ring, Back-up	
119	7024190	2	Pin, Dowel	
120	See Note	1	Plug (Note: Not Available - Purchase Locally)	
121	See Note	2	Plug (Note: Not Available - Purchase Locally)	
122	Use 7024196	10	Spring Kit (Natural)	
123	Use 7024196	2	Spring Kit (Blue)	
200		AR	Seal Kit Options:	
200A	See Note	1	Hub Seal Kit (Note: Not Available - Purchase Individual Components)	
200B	7024194	1	Brake Seal Kit (Includes Items 105, 107 & 115-118)	

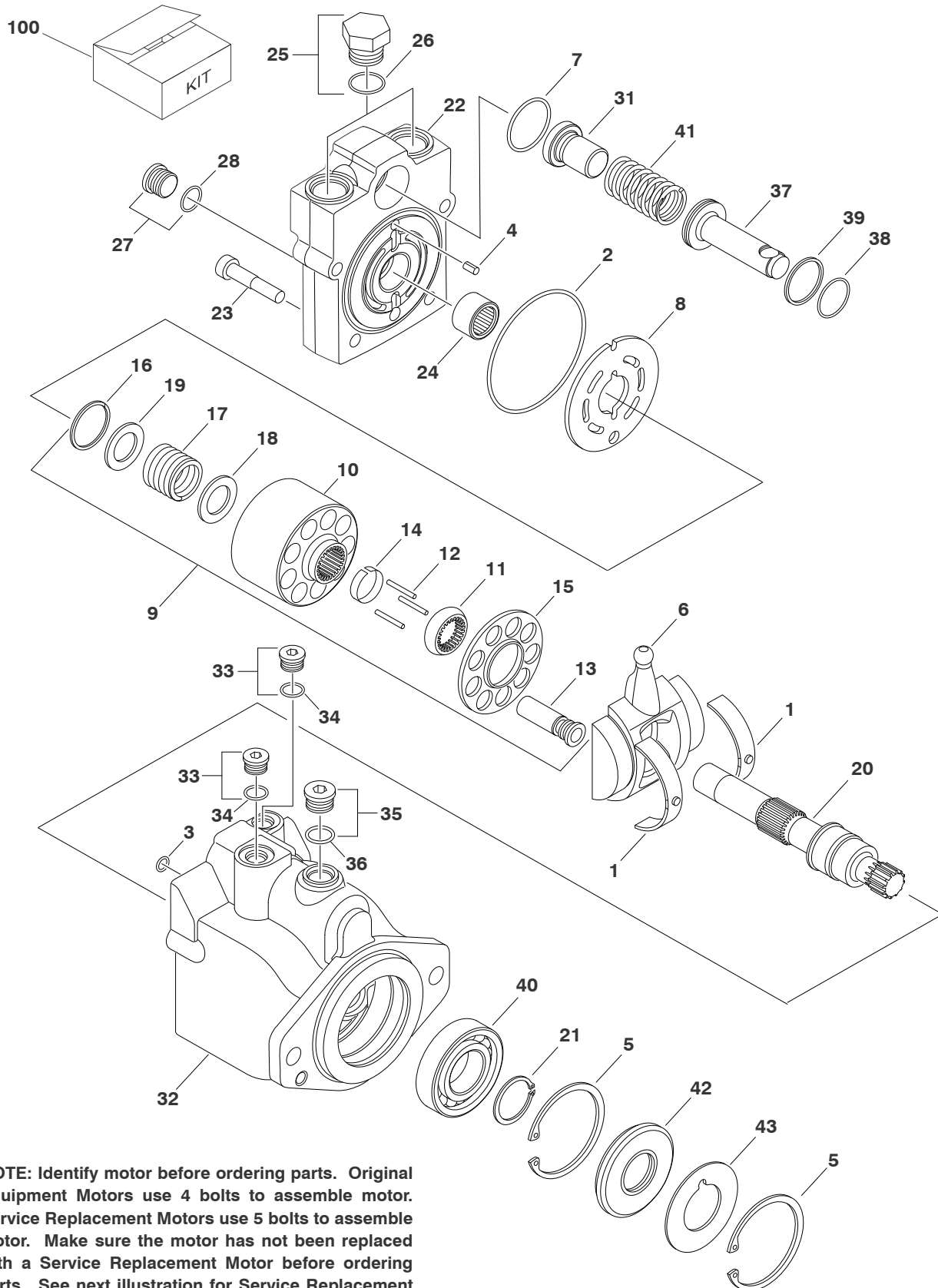
SECTION 1 FRAME

FIGURE 1-7. DRIVE HUB AND HUB WITH BRAKE ASSEMBLIES (SN 0300076633 TO SN 0300096000) (CONTINUED)

ITEM #	PART NUMBER	QTY.	DESCRIPTION	REV.
201		AR	Repair Kit Options:	
201A	Use 7024196	1	Spring Kit - 7024182 Brake (Includes 12 Natural Colored Springs) (was p/n 7024195) Note: Spring Kit no Longer Available, Purchase Kit p/n 7024196.	
201B	7024196	1	Brake Spring Kit (Includes 12 Natural & 2 Blue Colored Springs)	
201C	7024193	1	Brake Friction Disc Kit (Includes Items 103, 104, 106 & 107)	
201D	7024197	1	Brake Bearing Kit (Includes Items 107 & 110-112)	

SECTION 1 FRAME

FIGURE 1-8. DRIVE MOTOR ASSEMBLY (ORIGINAL EQUIPMENT - 4 BOLT ASSEMBLY)



NOTE: Identify motor before ordering parts. Original Equipment Motors use 4 bolts to assemble motor. Service Replacement Motors use 5 bolts to assemble motor. Make sure the motor has not been replaced with a Service Replacement Motor before ordering parts. See next illustration for Service Replacement Motor components.

SECTION 1 FRAME

FIGURE 1-8. DRIVE MOTOR ASSEMBLY (ORIGINAL EQUIPMENT - 4 BOLT ASSEMBLY)

ITEM #	PART NUMBER	QTY.	DESCRIPTION	REV.
		Ref	DRIVE MOTOR ASSEMBLY	
	3160242	Ref	2WD Rear (Prior to SN 0300076633)	F
	3160298	Ref	2WD Rear (SN 0300076633 to SN 0300096000)	C
	3160243	Ref	4WD Front & Rear (Prior to SN 0300076633)	D
	3160266	Ref	4WD Front & Rear (SN 0300076633 to SN 0300096000)	D
		Ref	NOTE: Identify motor before ordering parts. Original Equipment Motors use 4 bolts to assemble motor. Service Replacement Motors use 5 bolts to assemble motor. Make sure the motor has not been replaced with a Service Replacement Motor before ordering parts. See next illustration for Service Replacement Motor components.	
1	7022302	2	Bearing, Journal	
2	Use 7022328	1	O-Ring	
3	Use 7022328	1	O-Ring	
4	7007446	1	Pin	
5	7007438	2	Ring, Retaining	
6	7022305	1	Swashplate	
7	Use 7022328	1	O-Ring	
8		1	Plate, Valve Options: 3160242 & 3160243 Motors 3160266 & 3160298 Motors	
9		1	Cylinder Block Assembly Options (Includes Items 10-19) : 3160242 & 3160243 Motors 3160266 & 3160298 Motors	
10		1	Block, Cylinder Options: 3160242 & 3160243 Motors (was p/n 7022308) 3160266 & 3160298 Motors (Note: Not Available for Purchase)	
11	7021277	1	Guide, Slipper Retainer (Prior to Motor SN S-09-50-XXXXX)	
	70000856	1	Guide, Slipper Retainer (Motor SN S-09-50-XXXXX to Present)	
		Ref	Note: If motor 3160242 or 3160243 has been updated to use p/n 7022306 assy, use p/n 70000856 as replacement).	
12	7021275	3	Pin, Slipper Hold Down	
13		9	Piston Assembly 3160242 & 3160243 Motors 3160266 & 3160298 Motors (Note: Not Available for Purchase)	
14	7021276	1	Retainer, Hold Down Pin	
15	7022310	1	Retainer, Slipper	
16	7022311	1	Ring, Retaining	
17	7022312	1	Spring	
18		1	Washer Options: 3160242 & 3160243 Motors 3160266 & 3160298 Motors	
19	7022314	1	Retainer, Spring	

SECTION 1 FRAME

**FIGURE 1-8. DRIVE MOTOR ASSEMBLY (ORIGINAL EQUIPMENT - 4 BOLT ASSEMBLY)
(CONTINUED)**

ITEM #	PART NUMBER	QTY.	DESCRIPTION	REV.
20		1	Shaft Options:	
	7022366		3160242 & 3160243 Motors	
	7023910		3160266 & 3160298 Motor	
21	7007439	1	Ring, Retaining	
22		1	Cap, End - Axial Options:	
	7022367		3160242 & 3160243 & 3160266 Motors	
	7024852		3160298 Motor	
23	7022368	4	Screw	
24	7021249	1	Bearing, Needle	
25	7022321	2	Plug (Includes Item 26)	
26	Use 7022328	2	O-Ring	
27	7022318	1	Plug (Includes Item 28)	
28	Use 7022328	1	O-Ring	
29		1	Plug Options (Includes Item 30) (Not Shown):	
	7022318		3160242 & 3160243 Motors	
	7027419		3160266 & 3160298 Motor	
30	Use 7022328	1	O-Ring (Not Shown)	
31		1	Seat, Spring Options:	
	7022369		3160242 Motor	
	7022372		3160243 & 3160266 Motors	
	7024853		3160298 Motor	
32	7022370	1	Housing	
33	7022318	2	Plug (Items Item 34)	
34	Use 7022328	2	O-Ring	
35	7022321	1	Plug (Items Item 36)	
36	Use 7022328	1	O-Ring	
37		1	Piston, Servo Options:	
	7022326		3160242 & 3160243 & 3160266 Motors	
	7024854		3160298 Motor	
38	Use 7022328	1	O-Ring	
39	Use 7022328	1	Ring, Seal	
40	7007437	1	Bearing	
41	7022326	1	Spring	
42	Use 7022328	1	Seal, Lip	
43	7022371	1	Washer, Support	
100	7022328	1	Seal Kit (Includes Items 2,3,7,26,28,30,34,36,38,39 and 42)	

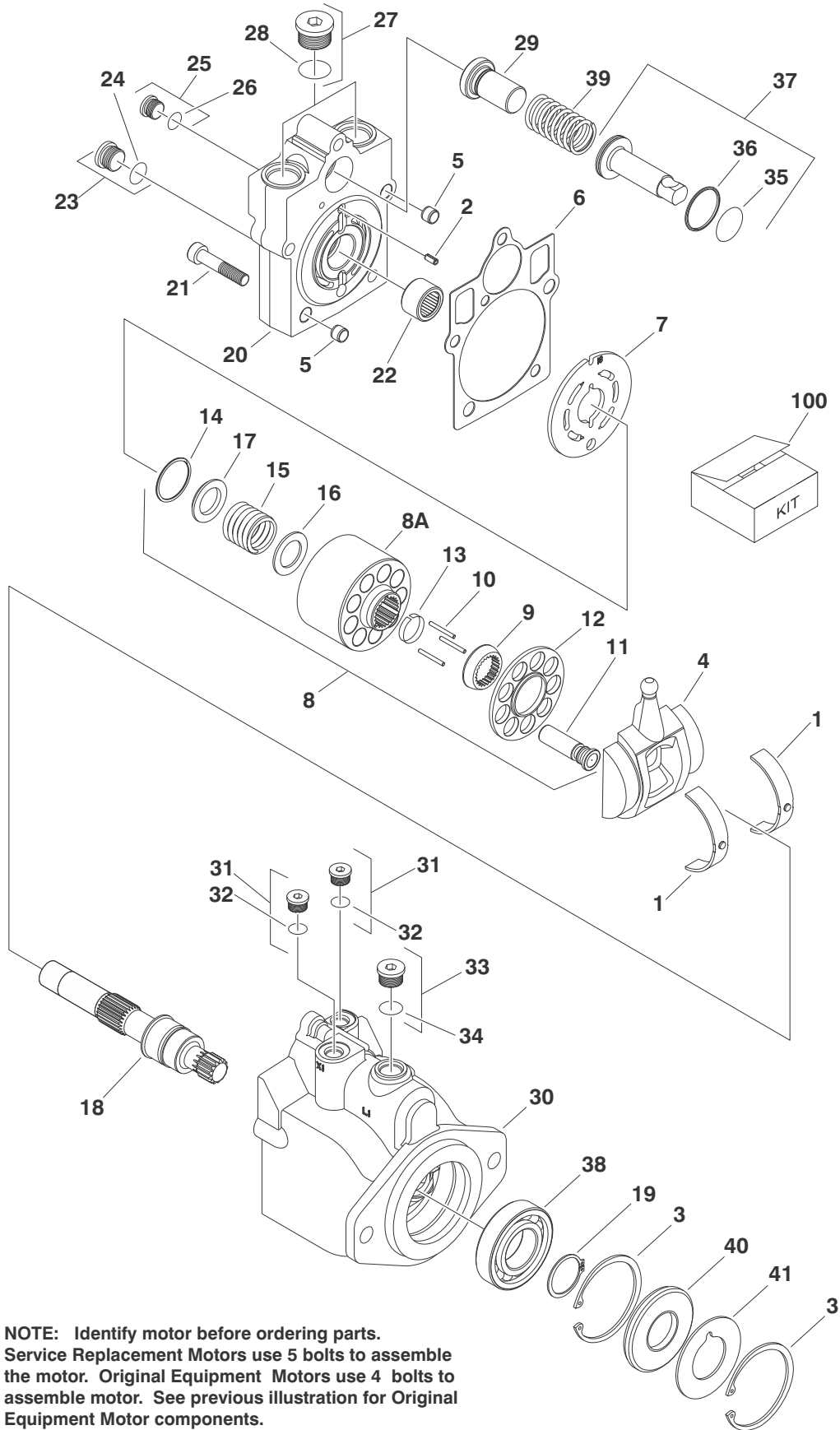
SECTION 1 FRAME

**FIGURE 1-8. DRIVE MOTOR ASSEMBLY (ORIGINAL EQUIPMENT - 4 BOLT ASSEMBLY)
(CONTINUED)**

ITEM #	PART NUMBER	QTY.	DESCRIPTION	REV.

SECTION 1 FRAME

FIGURE 1-9. DRIVE MOTOR ASSEMBLY (FIELD SERVICE REPLACEMENT - 5 BOLT ASSEMBLY)



NOTE: Identify motor before ordering parts. Service Replacement Motors use 5 bolts to assemble the motor. Original Equipment Motors use 4 bolts to assemble motor. See previous illustration for Original Equipment Motor components.

SECTION 1 FRAME

FIGURE 1-9. DRIVE MOTOR ASSEMBLY (FIELD SERVICE REPLACEMENT - 5 BOLT ASSEMBLY)

ITEM #	PART NUMBER	QTY.	DESCRIPTION	REV.
		Ref	DRIVE MOTOR ASSEMBLIES:	
	3160351	Ref	2WD (Service Replacement Motor for Prior to SN 0300076633)	B
	3160353	Ref	2WD (Service Replacement Motor for SN 0300076633 to SN 0300096000)	A
	3160348	Ref	4WD (Service Replacement Motor for Prior to SN 0300076633)	B
	3160354	Ref	4WD (Service Replacement Motor for SN 0300076633 to SN 0300096000)	A
		Ref	NOTE: Identify motor before ordering parts. Service Replacement Motors use 5 bolts to assemble the motor. Original Equipment Motors use 4 bolts to assemble motor. See previous illustration for Original Equipment Motor components.	
1	7022302	2	Bearing, Journal	
2	7007446	1	Pin	
3	7007438	2	Ring, Retaining	
4	7022305	1	Swashplate	
5	See Note	2	Pin (Note: Not Available for Purchase)	
6	Use 7022328	1	Gasket	
7		1	Plate, Valve Options:	
	7023908		Drive Motor p/n 3160351 & 3160348	
	7022307		Drive Motor p/n 3160353 & 3160354	
8		1	Cylinder Block Assembly Options (Includes Items 8A & 9-17):	
	7023907		Drive Motor p/n 3160351 & 3160348	
	7022306		Drive Motor p/n 3160353 & 3160354	
8A	See Note	1	Block, Cylinder (Note: Not Available - Purchase Complete Cylinder Block Assembly)	
9	7021277	1	Guide, Slipper Retainer	
10	7021275	3	Pin, Slipper Hold Down	
11		9	Piston Assembly	
	See Note		Drive Motor p/n 3160351 & 3160348 (Note: Not Available - Purchase Complete Cylinder Block Assembly)	
	7022309		Drive Motor p/n 3160353 & 3160354	
12	7021276	1	Retainer, Hold Down Pin	
13	7022310	1	Retainer, Slipper	
14	7022311	1	Ring, Retaining	
15	7022312	1	Spring	
16	7024868	1	Washer	
17	7022314	1	Retainer, Spring	
18	7023910	1	Shaft	
19	7007439	1	Ring, Retaining	
20	70000797	1	Cap, End - Axial	
21	7022368	5	Screw	
22	7021249	1	Bearing, Needle	
23	2220886	1	Plug (Includes Item 24)	
24	Use 7022328	1	O-Ring	
25	2220883	1	Plug (Includes Item 26)	

SECTION 1 FRAME

FIGURE 1-9. DRIVE MOTOR ASSEMBLY (FIELD SERVICE REPLACEMENT - 5 BOLT ASSEMBLY) (CONTINUED)

ITEM #	PART NUMBER	QTY.	DESCRIPTION	REV.
26	Use 7022328	1	O-Ring	
27	7027419	2	Plug (Includes Item 28) Options: 2WD	
	2220888		4WD	
28	Use 7022328	2	O-Ring	
29		1	Seat, Spring Options: 2WD Options:	
	7024853		Drive Motor p/n 3160351	
	7022369		Drive Motor p/n 3160353	
	7022372		4WD	
30	See Note	1	Housing (Note: Not Available - Purchase Complete Drive Motor Assembly)	
31	2220883	2	Plug (Items Item 32)	
32	Use 7022328	2	O-Ring	
33	2220886	1	Plug (Items Item 34)	
34	Use 7022328	1	O-Ring	
35	Use 7022328	1	O-Ring	
36	Use 7022328	1	Ring, Seal	
37	7024854	1	Piston, Servo (Includes Items 35 & 36)	
38	7007437	1	Bearing	
39	7022326	1	Spring	
40	Use 7022328	1	Seal, Lip	
41	7022371	1	Washer, Support	

100	7022328	1	Seal Kit (Includes Items 6,24,26,28,32,34,35,36 and 40)	

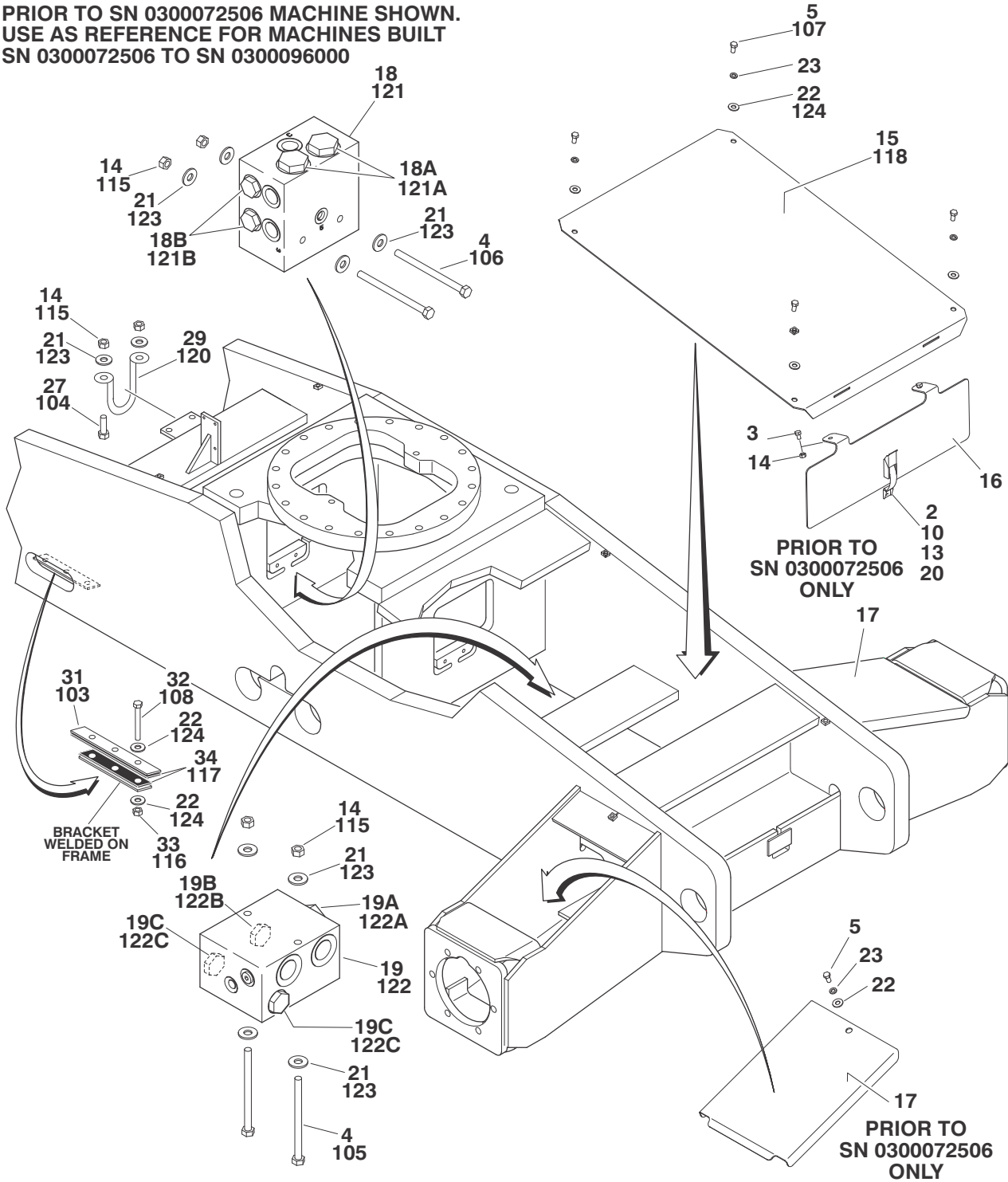
FIGURE 1-9. DRIVE MOTOR ASSEMBLY (FIELD SERVICE REPLACEMENT - 5 BOLT ASSEMBLY) (CONTINUED)

ITEM #	PART NUMBER	QTY.	DESCRIPTION	REV.

SECTION 1 FRAME

FIGURE 1-10. FRAME VALVES AND SHIELDS INSTALLATION

PRIOR TO SN 0300072506 MACHINE SHOWN.
USE AS REFERENCE FOR MACHINES BUILT
SN 0300072506 TO SN 0300096000



SECTION 1 FRAME

FIGURE 1-10. FRAME VALVES AND SHIELDS INSTALLATION

ITEM #	PART NUMBER	QTY.	DESCRIPTION	REV.
		Ref	VALVES AND SHIELDS INSTALLATIONS (PRIOR TO SN 0300072506)	
	0259145	Ref	2WD (Prior to SN 0300072506)	H
	0259146	Ref	4WD (Prior to SN 0300072506)	J
		Ref	Note: See AXLE AND STEERING INSTALLATIONS for Oscillating Axle Lockout Valve.	
1	Not Used			
2	0630464	2	Screw, Button	
3	0641504	2	Bolt 5/16in-18NC x 1/2in	
4	0641530	2	Bolt 5/16in-18NC x 3-3/4in	
5	0641606	6	Bolt 3/8in-16NC x 3/4in	
6 to 9	Not Used			
10	2940118	1	Latch	
11 to 12	Not Used			
13	3311005	2	Locknut #10-24NC	
14	3311505	AR	Locknut 5/16in-18NC	
15	4060979	1	Shield, Frame - Rear Top	
16	4060980	1	Shield, Frame - Rear Side	
17	4060981	2	Shield, Frame - Axle Top	
18		AR	Flow Divider Valve Assembly Options:	
	Not Required	0	2WD Machines	
	4641107	1	4WD Machines	C
18A	7021654	2	Valve, Cartridge (Flow Divider)	
	7021655	2	Seal Kit - Flow Divider Cartridge	
18B	7017412	4	Valve, Cartridge (Check)	
	7012967	4	Seal Kit - Check Cartridge	
19	4641115	1	Flow Divider Valve Assembly	C
19A	7021656	1	Valve, Cartridge (Flow Divider)	
	7021625	1	Seal Kit - 7021656 Cartridge	
19B	7012930	1	Valve, Cartridge (Check)	
	2900708	1	Seal Kit - 7012930 Cartridge	
19C	7010542	2	Valve, Cartridge (Load Shuttle)	
	7010543	2	Seal Kit - 7010542 Cartridge	
20	4751000	2	Flatwasher #10 Regular	
21	4751500	AR	Flatwasher 5/16in Regular	
22	4751600	AR	Flatwasher 3/8in Regular	
23	4761600	6	Lockwasher 3/8in	
24 to 26	Not Used			
27	0641508	2	Bolt 5/16in-18NC x 1/2in (4WD Only)	
28	0641538	2	Bolt 5/16in-18NC x 4-3/4in	
29	3841340	1	Loop, Hose (4WD Only)	
30	Not Used			
31	0362936	2	Bar, Hose Clamp (4WD Only)	
32	0641618	6	Bolt 3/8in-16NC x 2-1/4in (4WD Only)	
33	3311605	6	Nut 3/8in-16NC (4WD Only)	
34	3340898	4	Pad, Rubber (4WD Only)	

SECTION 1 FRAME

FIGURE 1-10. FRAME VALVES AND SHIELDS INSTALLATION (CONTINUED)

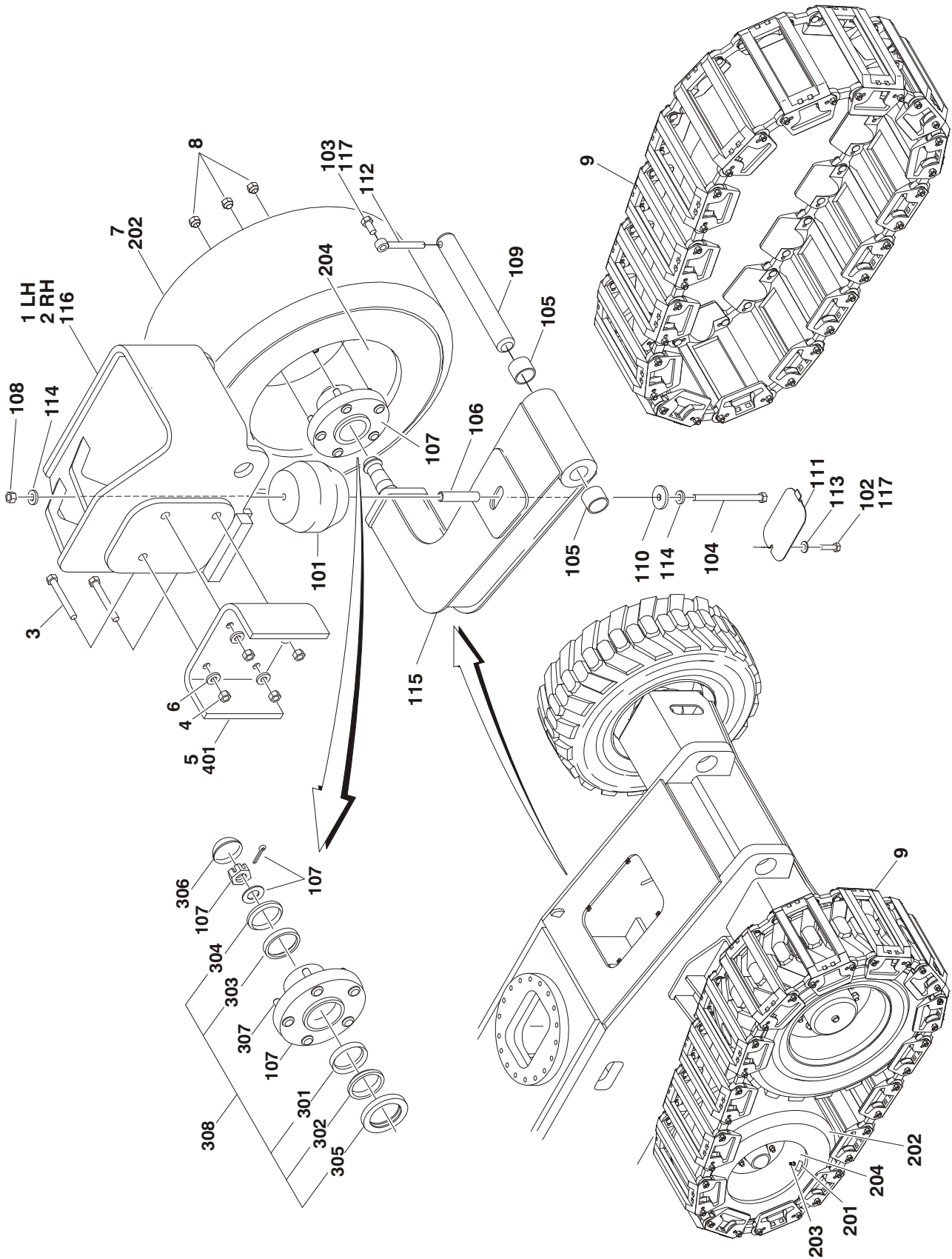
ITEM #	PART NUMBER	QTY.	DESCRIPTION	REV.
		Ref	VALVES AND SHIELDS INSTALLATIONS (SN 0300072506 TO SN 0300096000)	
	0272784	Ref	2WD SN 0300072506 to SN 0300076633	A
	0272926	Ref	2WD SN 0300076633 to SN 0300096000	A
	0272783	Ref	4WD SN 0300072506 to SN 0300076633	A
	0272925	Ref	4WD SN 0300076633 to SN 0300096000	A
		Ref	Note: See AXLE AND STEERING INSTALLATIONS for Oscillating Axle Lockout Valve.	
101 to 102	Not Used			
103	0362936	2	Bar, Hose Clamp (4WD Only)	
104	0641508	2	Bolt 5/16in-18NC x 1/2in (4WD Only)	
105	0641530	2	Bolt 5/16in-18NC x 3-3/4in	
106	0641538	2	Bolt 5/16in-18NC x 4-3/4in (4WD Only)	
107	0641607	6	Bolt 3/8in-16NC x 7/8in	
108	0641618	8	Bolt 3/8in-16NC x 2-1/4in (4WD Only)	
109 to 114	Not Used			
115	3311505	AR	Locknut 5/16in-18NC	
116	3311605	6	Nut 3/8in-16NC (4WD Only)	
117	3340898	4	Pad, Rubber (4WD Only)	
118	3574210	1	Shield, Frame - Rear Top	
119	Not Used			
120	3841340	1	Loop, Hose (4WD Only)	
121		AR	Flow Divider Valve Assembly Options:	
	Not Required	0	2WD Machines	
	4641107	1	4WD Machines (SN 0300072506 to SN 0300076633)	C
	4641208	1	4WD Machines (SN 0300076633 to SN 0300096000)	A
121A		2	Valve, Cartridge (Flow Divider) Options:	
	7021654		Cartridge for SN 0300072506 to SN 0300076633	
	7023934		Cartridge For SN 0300076633 to SN 0300096000	
	7021655	2	Seal Kit - 7021654 & 7023934 Cartridge	
121B		4	Valve, Cartridge (Check) Options:	
	7017412		Cartridge for SN 0300072506 to SN 0300076633	
	7012967		Seal Kit - 7017412 Check Cartridge	
	7023935		Cartridge For SN 0300076633 to SN 0300096000	
	7023936		Seal Kit - 7023935 Check Cartridge	
122		1	Flow Divider Valve Assembly Options:	
	4641115	1	SN 0300072506 to SN 0300076633	C
	4641207	1	SN 0300076633 to SN 0300096000	A
122A		1	Valve, Cartridge (Flow Divider) Options:	
	7021656	1	Cartridge for SN 0300072506 to SN 0300076633	
	7023917	1	Cartridge for SN 0300076633 to SN 0300096000	
	7021625	1	Seal Kit - 7021656 & 7023917Cartridges	
122B		1	Valve, Cartridge (Check) Options:	
	7012930	1	Cartridge for SN 0300072506 to SN 0300076633	
	2900708	1	Seal Kit - 7012930 Cartridge	
	7022397	1	Cartridge for SN 0300076633 to SN 0300096000	
	7022399	1	Seal Kit - 7022397Cartridges	
122C		2	Valve, Cartridge (Load Shuttle)	
	7010542	2	Seal Kit - 7010542 Cartridge	

FIGURE 1-10. FRAME VALVES AND SHIELDS INSTALLATION (CONTINUED)

ITEM #	PART NUMBER	QTY.	DESCRIPTION	REV.
123	4751500	AR	Flatwasher 5/16in Regular	
124	4751600	AR	Flatwasher 3/8in Regular	

SECTION 1 FRAME

FIGURE 1-11. SEMI-TRACK INSTALLATION



SECTION 1 FRAME

FIGURE 1-11. SEMI-TRACK INSTALLATION

ITEM #	PART NUMBER	QTY.	DESCRIPTION	REV.
		Ref	SEMI-TRACK INSTALLATIONS	
	0270193	Ref	IDLER INSTALLATION	3
1	0259665	1	Mount, Idler (Left) (See Items 101-116 for Breakdown)	
	0271212		Prior to SN 0300062886	
			SN 0300062886 to SN 0300096000	
2	0259674	1	Mount, Idler (Right) (See Items 101-116 for Breakdown)	
	0271211		Prior to SN 0300062886	
			SN 0300062886 to SN 0300096000	
3	0681822	8	Bolt 1/2in-13NC x 2-3/4in (Grade 8)	
4	3271805	8	Locknut 1/2in-13NC (Grade 8)	
5	3572032	2	Plate, Spacer	
6	4891800	8	Flatwasher 1/2in Hardened	
		Ref	TRACK INSTALLATIONS	
		Ref	12in Steel Track Options:	
	0270184	Ref	Prior to SN 0300062886	2
	0271218	Ref	SN 0300062886 to SN 0300096000	1
	0270192	Ref	14in Steel Track	3
7		2	Wheel Assembly Options (See Items 201-204 for Breakdown):	
	0270029		12in Track	
	0270030		14in Track	
8	3300255	10	Nut	
9		1	Track Options:	
			12in Steel Track Options:	
	0270086		Prior to SN 0300062886	
	0271213		SN 0300062886 to SN 0300096000	
			14in Steel Track Options:	
	0270259		Prior to SN 0300062886	
	0271215		SN 0300062886 to SN 0300096000	
		Ref	IDLER MOUNT ASSEMBLIES	
		Ref	Left Side Options:	
	0259665	Ref	Prior to SN 0300062886	C
	0271212	Ref	SN 0300062886 to SN 0300096000	A
		Ref	Right Side Options:	
	0259674	Ref	Prior to SN 0300062886	C
	0271211	Ref	SN 0300062886 to SN 0300096000	A
		Ref	Note: Qty shown is for one side.	
101	0020005	1	Absorber, Rubber Spring Options:	
	0020006		Prior to SN 0300062886	
			SN 0300062886 to SN 0300096000	
102	0641408	1	Bolt 1/4in-20NC x 1in	
103	0641808	1	Bolt 1/2in-13NC x 1in	

SECTION 1 FRAME

FIGURE 1-11. SEMI-TRACK INSTALLATION (CONTINUED)

ITEM #	PART NUMBER	QTY.	DESCRIPTION	REV.
104	0681856 0681872	1	Bolt Options: Bolt 1/2in-13NC x 7in (Grade 8) Bolt 1/2in-13NC x 9in (Grade 8)	
105	0961948	2	Bearing	
106	0962293	1	Bushing, Track Spring	
107	2780221	1	Hub Assembly (See Items 301-307 for Breakdown)	
108	3271805	1	Locknut 1/2in-13NC (Grade 8)	
109	3422786	1	Pin	
110	3571818	1	Plate	
111	3571833	1	Cover, Bottom	
112	3841203	1	Keeper, Pin	
113	4711400	1	Flatwasher 1/4in Thin	
114	4891800	2	Flatwasher 1/2in Hardened	
115	4846113 4846112	1	Arm Weldment Options: Left Side Right Side	
116	4846114 4846394 4846126 4846393	1	Bracket Weldment Options: Left Side Options: Prior to SN 0300062886 SN 0300062886 to SN 0300096000 Right Side Options: Prior to SN 0300062886 SN 0300062886 to SN 0300096000	
117	0100011	AR	Compound, Locking	
	0270029 0270030	Ref Ref Ref Ref	WHEEL ASSEMBLIES 12in Track 14in Track Note: Qty shown is for one side.	B A
201	1704586	1	Decal, Tire Pressure	
202	4520224 4520234	1	Tire Options: 12in Track 14in Track	
203	4640113	1	Valve, Air	
204	4860218 4860215	1	Rim, Wheel Options: 12in Track 14in Track	
	2780221	Ref Ref	HUB ASSEMBLY Note: Qty shown is for one side.	—
301	7012519	1	Cup, Inner Bearing	
302	7012520	1	Cone, Inner Bearing	
303	7012521	1	Cup, Outer Bearing	
304	7012522	1	Cone, Outer Bearing	
305	7012523	1	Seal	
306	Use 1001102354	1	Cap, Dust (was p/n 7012524)	
307	7016360	5	Stud, Wheel 1/2in-20NF	

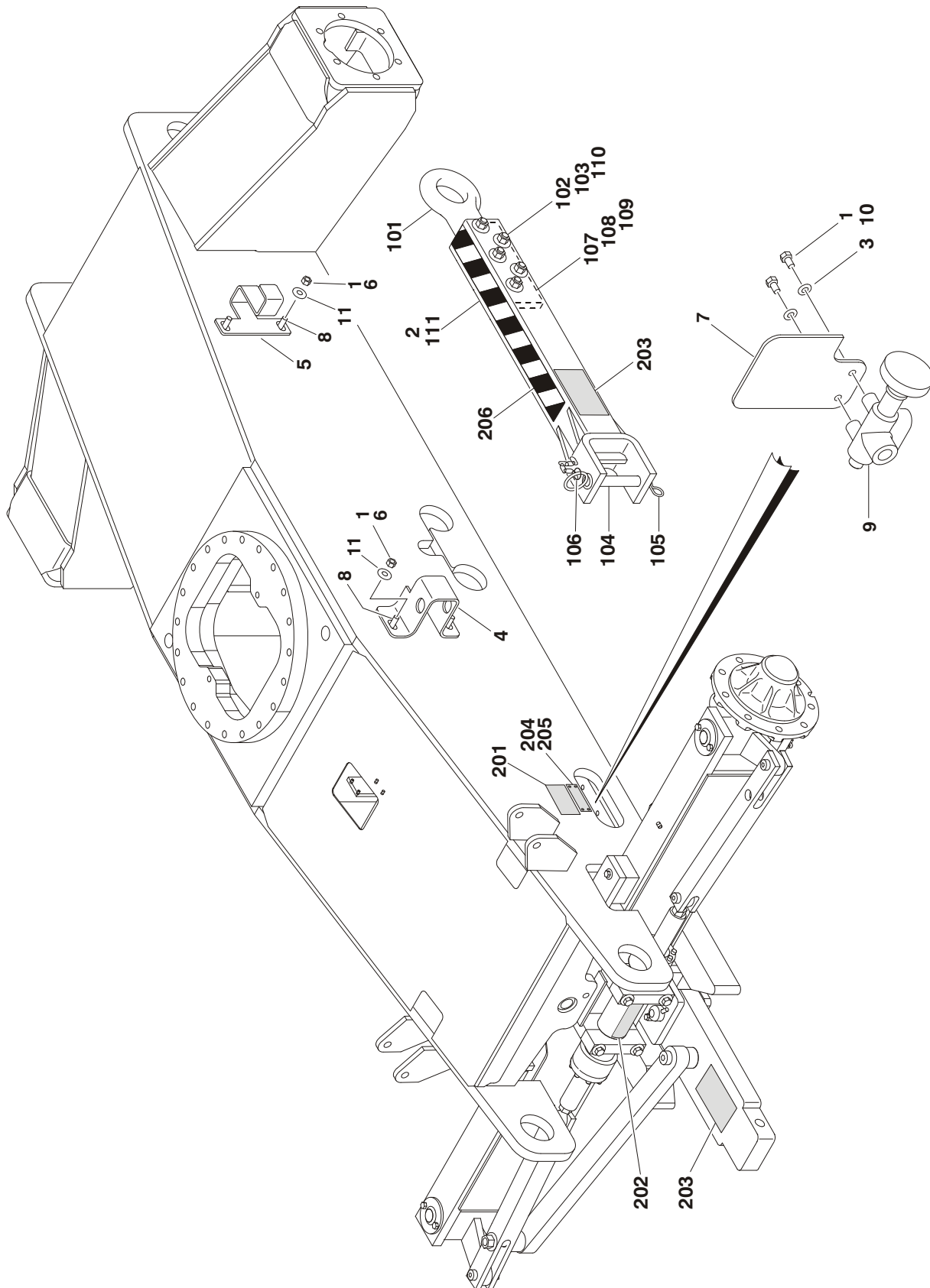
SECTION 1 FRAME

FIGURE 1-11. SEMI-TRACK INSTALLATION (CONTINUED)

ITEM #	PART NUMBER	QTY.	DESCRIPTION	REV.
308	2900804		----- Bearing Kit (Includes Qty 1 of Items 301-305)	
	0270193	Ref	SEMI-TRACK INSTALLATIONS	A
401	3572032	2	Plate, Spacer (Welded to Frame)	
		Ref	TREAD ACCESSORIES (NOT SHOWN)	
	0270180	Ref	Soft Puck	B
	0240049	64	Puck, Soft	
	0270186	Ref	Flotation Plate	A
	0240050	64	Plate, Flotation	
	0270187	Ref	Ice Pick	A
	0240047	32	Plate, Flotation	

SECTION 1 FRAME

FIGURE 1-12. TOW PACKAGE INSTALLATION



SECTION 1 FRAME

FIGURE 1-12. TOW PACKAGE INSTALLATION

ITEM #	PART NUMBER	QTY.	DESCRIPTION	REV.
	0272805	Ref	TOW BAR INSTALLATION - 2WD	B
1	0100011	AR	Compound, Locking (Not Shown)	
2	0363019	1	Tow Bar Assembly	
3	0641504	2	Bolt 5/16in-18NC x 1/2in	
4	0902733	1	Bracket, Storage (Front)	
5	0902734	1	Bracket, Storage (Rear)	
6	3311801	4	Nut 1/2in-13NC	
7	3572506	1	Plate, Valve Mounting (Welded on Plate)	
8	4300048	4	Stud (Welded on Plate)	
9	4640261	1	Steer/Tow Select Valve	
10	4711500	2	Flatwasher 5/16in Thin	
11	4751800	4	Flatwasher 1/2in Regular	
	0363019	Ref	TOW BAR ASSEMBLY	B
101	0360406	1	Pintle, Draw Eye	
102	0682040	5	Bolt 5/8in-11NC x 5in	
103	3312005	5	Locknut 5/8in-11NC	
104	3420352	1	Pin, Towing	
105	3420372	1	Hairpin	
106	3760170	1	Ring, Split	
107	4070450	2	Shim (.07)	
108	4070560	2	Shim (.88)	
109	4070561	2	Shim (.12)	
110	4752000	10	Flatwasher 5/8in Regular	
111	Use 0363019	1	Tow Bar Weldment	
	0272828	Ref	TOW BAR DECAL INSTALLATION	B
201	1703450	1	Decal - Warning	
202	1702968	1	Decal - Tow Instructions	
203	1704578	2	Decal - Crushing	
204	3250872	1	Nameplate - Steer/Tow Select Valve	
205	3820001	4	Rivet	
206	4420051	56in/1.4m	Tape	

SECTION 1 FRAME

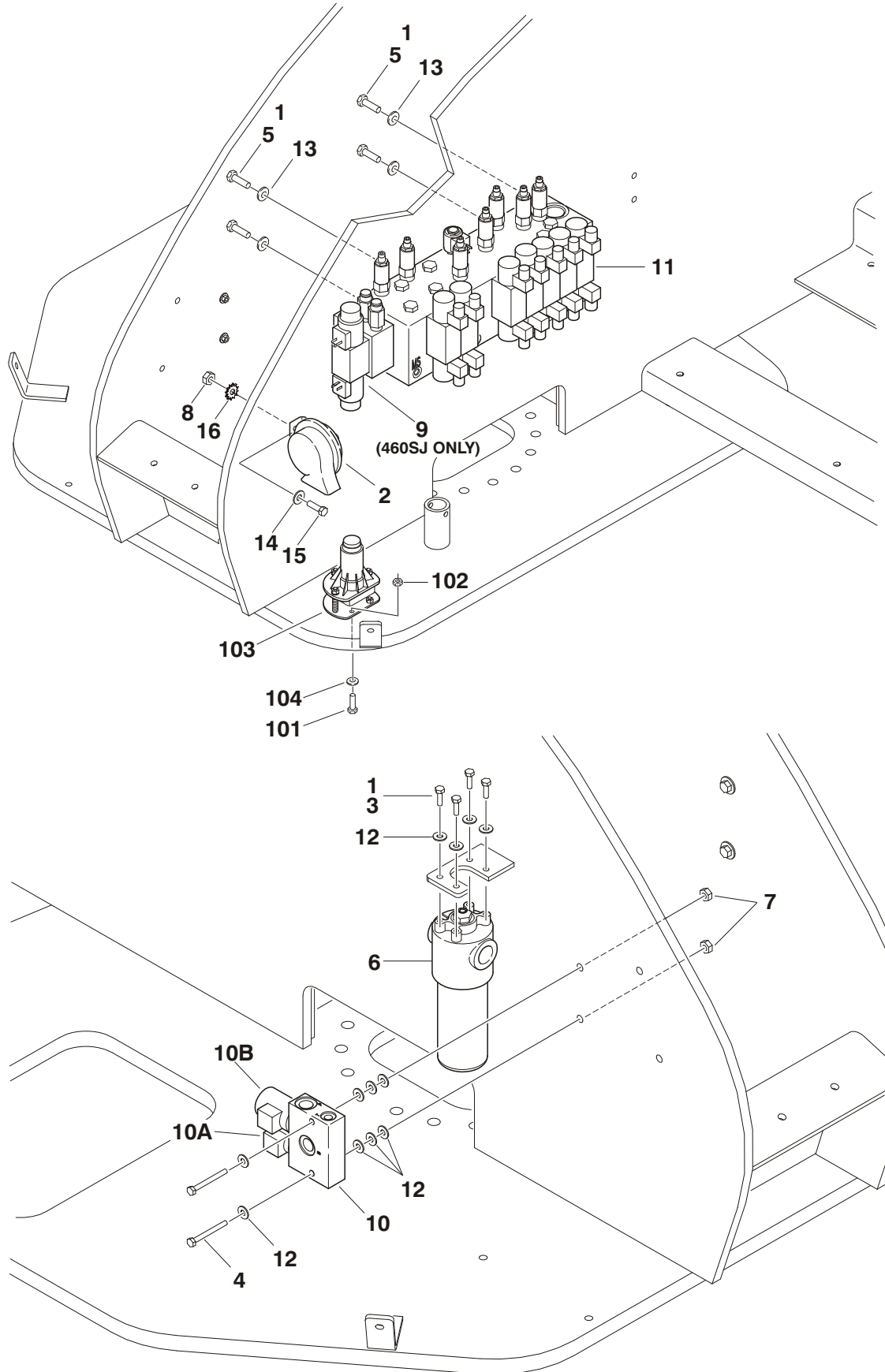
FIGURE 1-12. TOW PACKAGE INSTALLATION (CONTINUED)

ITEM #	PART NUMBER	QTY.	DESCRIPTION	REV.

SECTION 2 TURNTABLE

SECTION 2 TURNTABLE

FIGURE 2-1. VALVES AND TILT INDICATOR INSTALLATIONS



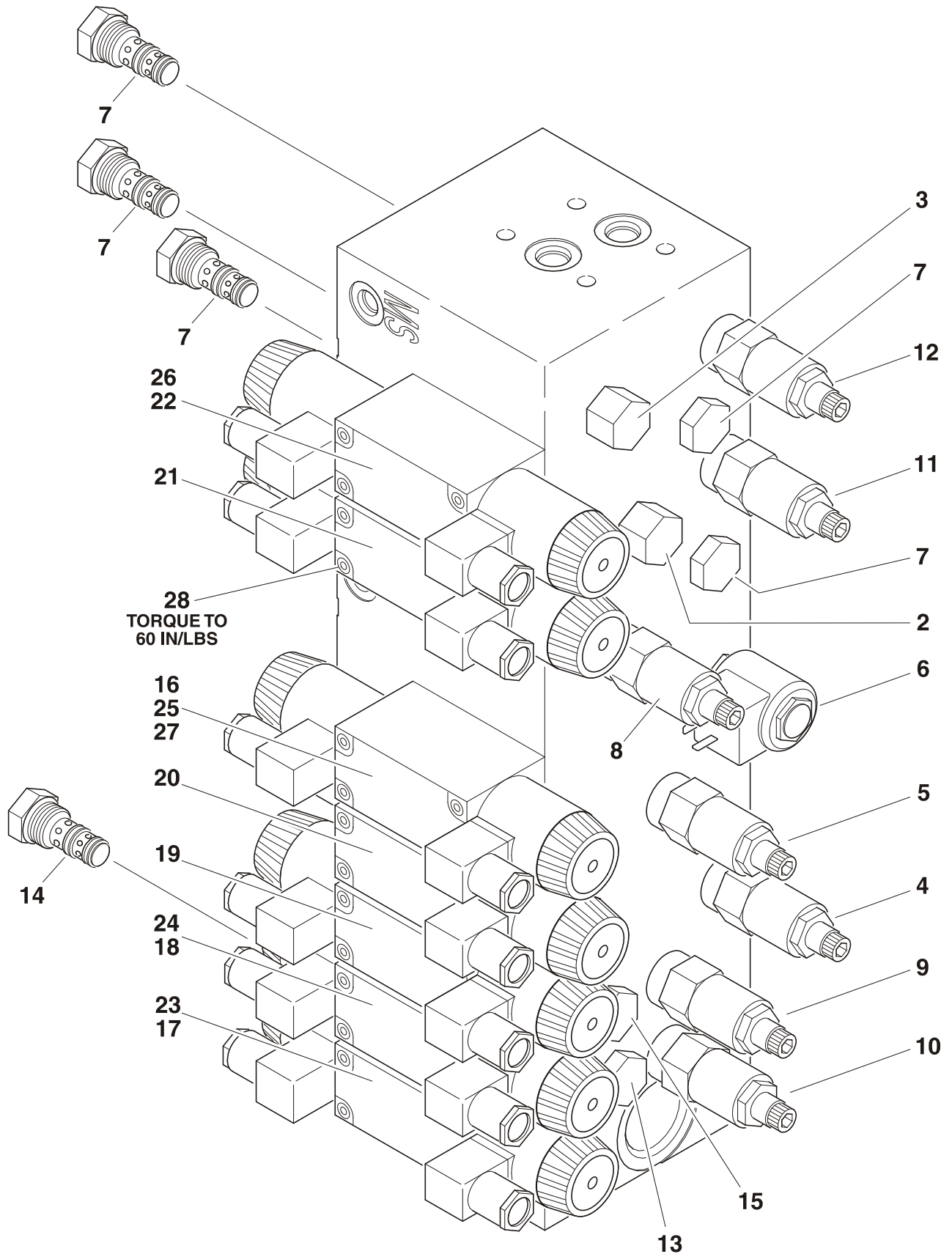
SECTION 2 TURNTABLE

FIGURE 2-1. VALVES AND TILT INDICATOR INSTALLATIONS

ITEM #	PART NUMBER	QTY.	DESCRIPTION	REV.
		Ref	VALVES INSTALLATIONS	
	0259640	Ref	400S (Prior to SN 0300087630)	F
	0274600	Ref	400S (SN 0300087630 to SN 0300096000)	B
	0259641	Ref	460SJ (Prior to SN 0300087630)	F
	0274601	Ref	460SJ (SN 0300087630 to SN 0300096000)	B
1	0100011	AR	Compound, Locking	
2	0140001	1	Horn	
3	0651406	AR	Bolt 1/4in-28NF x 3/4in	
4	0641420	2	Bolt 1/4in-20NC x 2-1/2in	
5	0641610	4	Bolt 3/8in-16NC x 1-1/4in	
6	2120163	1	Pressure Filter Assembly (Prior to SN 0300087630)	
	2120150	1	Element, Filter	
	7020020	1	Indicator	
	7023206	1	O-Ring	
	7023207	1	Ring, Back-up	
	2120209	1	Pressure Filter Assembly (SN 0300087630 to SN 0300096000)	
	2120210	1	Element, Filter - p/n 2120209	
	7020020	1	Manual Indicator - p/n 2120209	
7	3311405	2	Locknut 1/4in-20NC	
8	3311505	1	Locknut 5/16in-18NC	
9		AR	Valve Assembly - Jib	
	Not Required	0	400S	
	4640921	1	460SJ (See ACCESSORY VALVE ASSEMBLY for Breakdown)	
10	Use 1001099391	1	Dual Select Valve Assembly (was p/n 4641108)	
10A	7012944	1	Coil	
	7012941	1	Cartridge without Coil (was p/n 7012974)	
	7010543	1	Seal Kit - 7012974 & 701941Cartridges	
10B	7012943	1	Coil	
	7012995	1	Cartridge without Coil	
	7012518	1	Seal Kit - 7012995 Cartridge	
11		1	Main Control Valve Assembly Options (See MAIN CONTROL VALVE ASSEMBLY for Breakdown):	
	Use 4641499		Prior to SN 0300095896 (was p/n 4641117)	
	4641499		SN 0300095896 to SN 0300096000	
12	4751400	14	Flatwasher 1/4in Regular	
13	4751600	AR	Flatwasher 3/8in Regular	
14	4751500	2	Flatwasher 5/16in Regular	
15	0641510	1	Bolt 5/16in-18NC x 1-1/4in	
16	4791500	1	Starwasher 5/16in	
17	4921927	1	Harness, Sub (See ELECTRICAL SECTION for Breakdown) (Not Shown)(460SJ Only)	
	0259188	Ref	TILT INDICATOR INSTALLATION (PRIOR TO SN 0300064404)	A
101	0641412	2	Bolt 1/4in-20NC x 1-1/2in	
102	3311405	2	Locknut 1/4in-20NC	
103	4360417	1	Sensor, Level	
104	4751400	2	Flatwasher 1/4in Regular	

SECTION 2 TURNTABLE

FIGURE 2-2. MAIN CONTROL VALVE ASSEMBLY



SECTION 2 TURNTABLE

FIGURE 2-2. MAIN CONTROL VALVE ASSEMBLY

ITEM #	PART NUMBER	QTY.	DESCRIPTION	REV.
		Ref	MAIN CONTROL VALVE ASSEMBLY	
	4641117	Ref	Prior to SN 0300095896	C
	4641499	Ref	SN 0300095896 to SN 0300096000	A
1	Not Used			
2	7017411	1	Cartridge, Pilot Valve (Bang-Bang Controls)	
	7012518	1	Seal Kit - 7017411 Cartridge	
3	7017411	1	Cartridge, Pilot Valve (Proportional Controls)	
	7012518	1	Seal Kit - 7017411 Cartridge	
4	7021647	1	Cartridge, Relief Valve (Bang-Bang Main)	
	7012998	1	Seal Kit - 7021647 Cartridge	
5	7017422	1	Cartridge, Relief Valve (Proportional Main)	
	7012998	1	Seal Kit - 7017422 Cartridge	
6	7017410	1	Cartridge without Coil (Proportional Dump)	
	7012967	1	Seal Kit - 7017410 Cartridge	
	7012944	1	Coil	
7	7010542	5	Cartridge, Load Shuttle Valve	
	7010543	5	Seal Kit - 7010542 Cartridge	
8	7017422	1	Cartridge, Relief Valve (Steer)	
	7012998	1	Seal Kit - 7017422 Cartridge	
9	7017427	1	Cartridge, Relief Valve (Platform)	
	7012998	1	Seal Kit - 7017427 Cartridge	
10	7017428	1	Cartridge, Relief Valve (Platform Level)	
	7012998	1	Seal Kit - 7017428 Cartridge	
11	7021648	1	Cartridge, Relief Valve (Lift Down)	
	7012998	1	Seal Kit - 7021648 Cartridge	
12	7017428	1	Cartridge, Relief Valve (Swing)	
	7012998	1	Seal Kit - 7017428 Cartridge	
13	7012914	1	Cartridge, Pilot Check Valve (Platform Level)	
	7012918	1	Seal Kit - 7012914 Cartridge	
14	7012914	1	Cartridge, Pilot Check Valve (Platform Level)	
	7012918	1	Seal Kit - 7012914 Cartridge	
15	7012975	1	Cartridge, Check Valve (Platform Rotate)	
	7012967	1	Seal Kit - 7012975 Cartridge	
16	7021365	1	Control Valve Assembly (Steer) Options: Valve Assembly (Prior to SN 0300095896) Repair Components:	
	7012773	1	Seal Kit - 7021365 Valve	
	7021375	2	Nut	
	7021376	2	Coil	
	70001256		Valve Assembly (SN 0300095896 to SN 0300096000) Repair Components:	
	Use 70001256	1	Seal Kit (Note: Not Available for Purchase)	
	Use 70001256	2	Nut (Note: Not Available for Purchase)	
	Use 70001256	2	Coil (Note: Not Available for Purchase)	

SECTION 2 TURNTABLE

FIGURE 2-2. MAIN CONTROL VALVE ASSEMBLY (CONTINUED)

ITEM #	PART NUMBER	QTY.	DESCRIPTION	REV.	
17	7021373	1	Control Valve Assembly (Platform Level) Options: Valve Assembly (Prior to SN 0300095896) Repair Components:		
	7012773	1	Seal Kit - 7021373 Valve		
	7021375	2	Nut		
	7021376	2	Coil		
	7012799	1	Lanyard Assembly		
	Use 70001976		Valve Assembly (SN 0300095896 to SN 0300096000) (was p/n 7012770) Repair Components:		
	7012773	1	Seal Kit		
	7021375	2	Nut		
	7018991	2	Coil		
	18	7021373	1	Control Valve Assembly (Platform Rotate) Options: Valve Assembly (Prior to SN 0300095896) Repair Components:	
		7012773	1	Seal Kit - 7021373 Valve	
7021375		2	Nut		
7021376		2	Coil		
7012799		1	Lanyard Assembly		
Use 70001976			Valve Assembly (SN 0300095896 to SN 0300096000) (was p/n 7012770) Repair Components:		
7012773		1	Seal Kit		
7021375		2	Nut		
7018991		2	Coil		
19		7021373	1	Control Valve Assembly (Telescope) Options: Valve Assembly (Prior to SN 0300095896) Repair Components:	
		7012773	1	Seal Kit - 7021373 Valve	
	7021375	2	Nut		
	7021376	2	Coil		
	7012799	1	Lanyard Assembly		
	Use 70001976		Valve Assembly (SN 0300095896 to SN 0300096000) (was p/n 7012770) Repair Components:		
	7012773	1	Seal Kit		
	7021375	2	Nut		
	7018991	2	Coil		
	20	7021374	1	Control Valve Assembly (Flow Control)	
		7012773	1	Seal Kit - 7021374 Valve	
7021375		1	Nut		
7018991		1	Coil		
21		7012775	1	Control Valve Assembly (Upper Lift)	
	7012773	1	Seal Kit - 7012775 Valve		
	7018912	2	Nut		
	7012772	2	Coil		

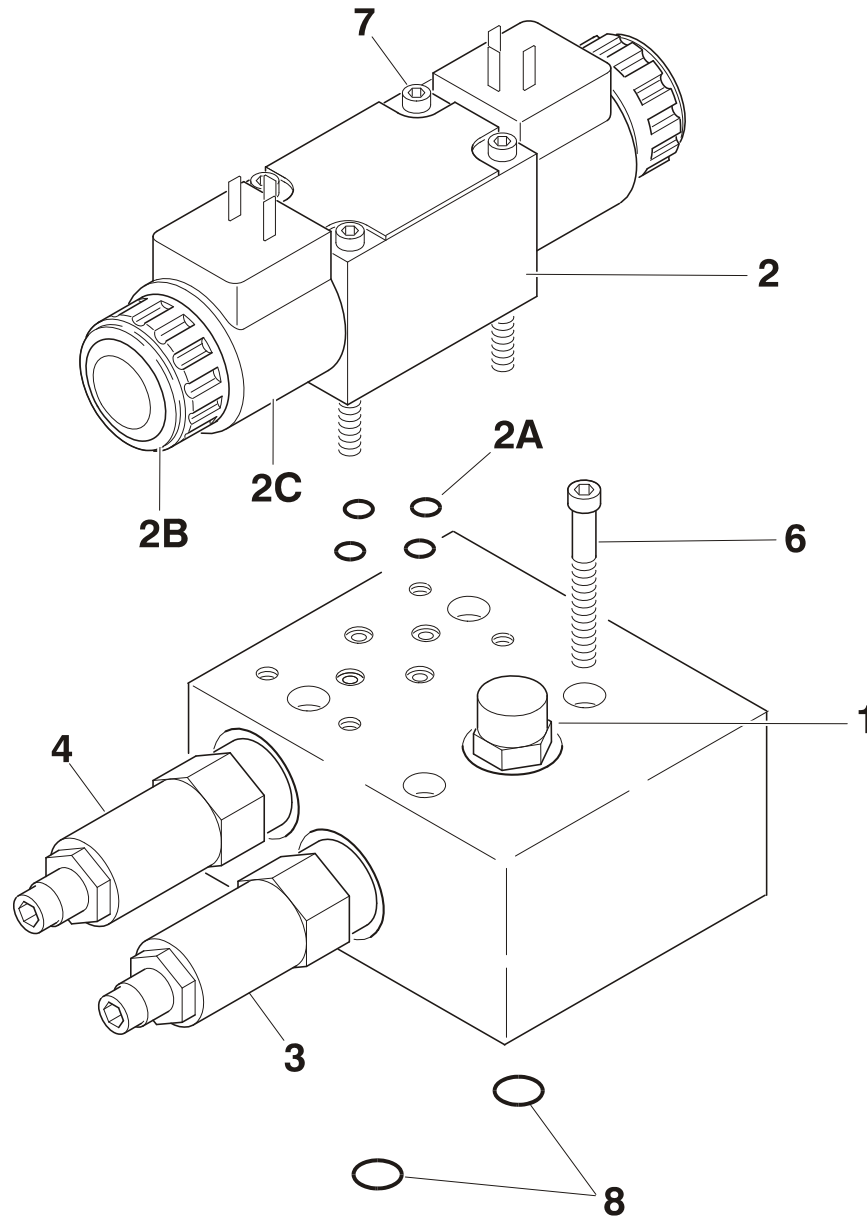
SECTION 2 TURNTABLE

FIGURE 2-2. MAIN CONTROL VALVE ASSEMBLY (CONTINUED)

ITEM #	PART NUMBER	QTY.	DESCRIPTION	REV.
22	7012775	1	Control Valve Assembly (Swing)	
	7012773	1	Seal Kit - 7012775 Valve	
	7018912	2	Nut	
	7018991	2	Coil	
23	7018900	2	Orifice (Platform Level)	
24	7023821	1	Orifice (Platform Rotate)	
25	7023822	1	Orifice (Steer)	
26	7023823	1	Orifice (Swing)	
27	7023824	2	Orifice (Steer)	
28	7018942	28	Capscrew, Socket #10-24NC x 2in	

SECTION 2 TURNTABLE

FIGURE 2-3.ACCESSORY VALVE ASSEMBLY



**NOTE: TORQUE ITEMS 6 & 7
TO 60 IN/LBS.**

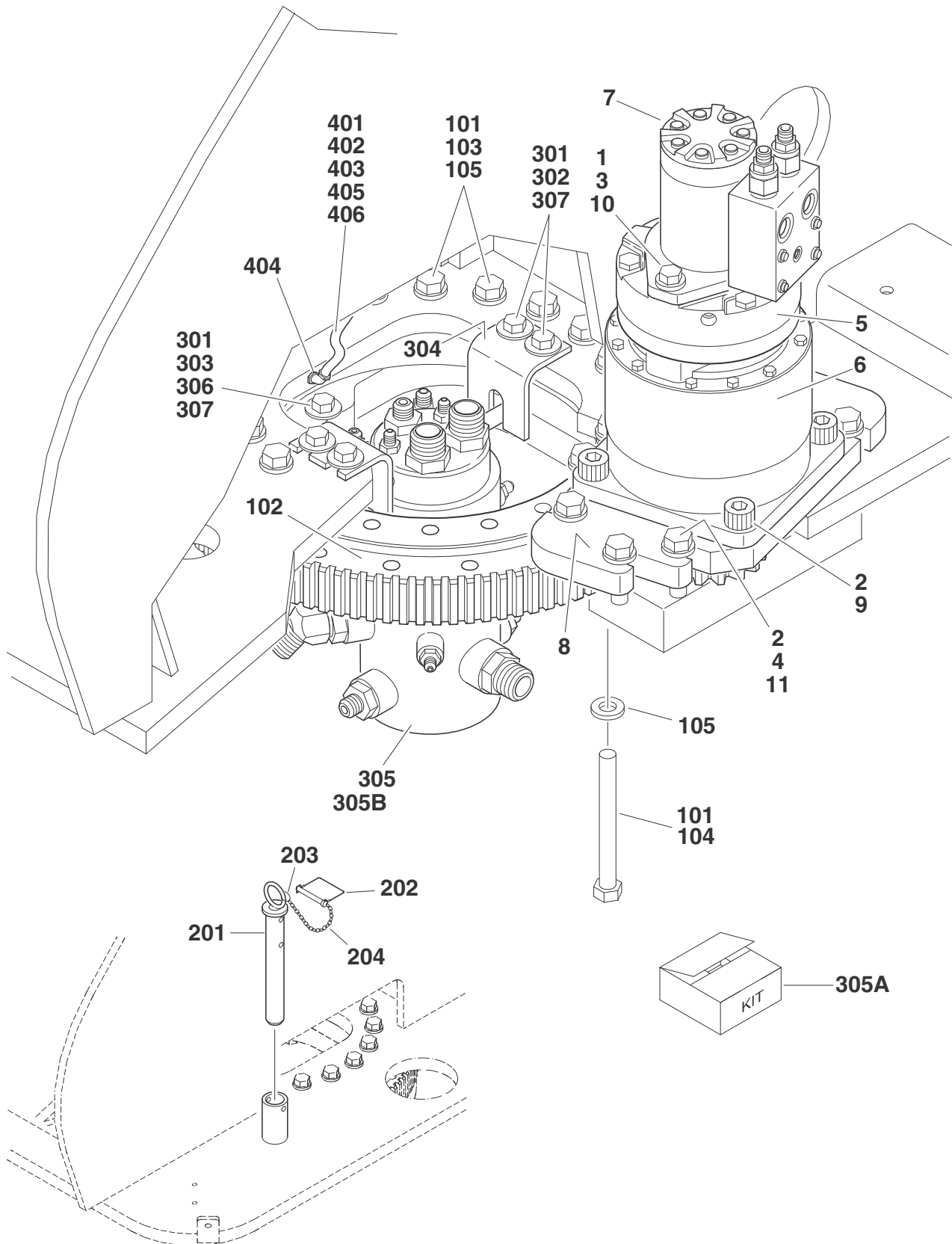
SECTION 2 TURNTABLE

FIGURE 2-3. ACCESSORY VALVE ASSEMBLY

ITEM #	PART NUMBER	QTY.	DESCRIPTION	REV.
	4640921	Ref	ARTICULATING JIB VALVE ASSEMBLY	D
1	7012965	1	Cartridge, Flow Control	
	7012953	1	Seal Kit - 7012965 Cartridge	
2	7012770	1	Directional Control Valve Assembly	
	7012773	1	Seal Kit	
2A	7018945	4	O-Ring	
2B	7018912	2	Nut	
2C	7012772	2	Coil	
3	7017421	1	Cartridge, Relief	
	7012998	1	Seal Kit - 7017421 Cartridge	
4	7017422	1	Cartridge, Relief	
	7012998	1	Seal Kit - 7017422 Cartridge	
5	4460499	2	Connector, DIN with Diode (Not Shown - Part of Valve Harness)	
6	7012777	4	Capscrew, Socket Head 5/16in-18NC x 2-1/4in (Used to Mount Valve Assembly)	
7	7018942	4	Capscrew, Socket Head #10-24NC x 2in	
8	7012776	2	O-Ring (Used to Mount Main Valve)	

SECTION 2 TURNTABLE

FIGURE 2-4. TURNTABLE AND SWING DRIVE INSTALLATIONS



SECTION 2 TURNTABLE

FIGURE 2-4. TURNTABLE AND SWING DRIVE INSTALLATIONS

ITEM #	PART NUMBER	QTY.	DESCRIPTION	REV.
		Ref	TURNTABLE WELDMENT	
	4620128	Ref	Prior to SN 0300074573	
	4620141	Ref	SN 0300074573 to SN 0300096000	
		Ref	SWING DRIVE INSTALLATION OPTIONS:	
	0259875	Ref	Prior to SN 0300063791	B
	0270326	Ref	SN 0300063791 to SN 0300096000	B
1	0100011	AR	Compound, Locking	
2	0100019	AR	Compound, Locking	
3	0681832	2	Bolt 1/2in-13NC x 4in (Grade 8)	
4	0682018	8	Bolt 5/8in-11NC x 2-1/4in (Grade 8)	
5		1	Swing Brake Assembly Options (See SWING BRAKE ASSEMBLY for Breakdown):	
	0920116	1	Prior to SN 0300063791	
	0920119	1	SN 0300063791 to SN 0300096000	
6	2780247	1	Swing Hub Assembly (See SWING HUB ASSEMBLY for Breakdown)	
7		1	Swing Motor Assembly Options (See SWING MOTOR ASSEMBLY for Breakdown):	
	3160249		Prior to SN 0300064259	
	3160280		SN 0300064259 to SN 0300096000	
8	3572041	1	Plate, Mount	
9	3932224	4	Capscrew, Socket Head 3/4in-1NC x 1-1/2in	
10	4891800	2	Flatwasher 1/2in Hardened	
11	4892000	6	Flatwasher 5/8in Hardened	
	0259156	Ref	SWING BEARING AND ROTATION BOX ASSEMBLY	D
101	0100019	AR	Compound, Locking	
102	0440240	1	Bearing, Turntable	
103	0682026	20	Bolt 5/8in-11NC x 3-1/4in (Grade 8)	
104	0682048	20	Bolt 5/8in-11NC x 6in (Grade 8)	
105	4892000	40	Flatwasher 5/8in Hardened	
	0259147	Ref	TURNTABLE LOCK INSTALLATION	A
201	4844958	1	Pin Weldment	
202	3421565	1	Pin, Snap	
203	3760170	2	Ring, Quick Release	
204	1260017	9in/23cm	Chain	
	0259155	Ref	ROTARY COUPLING INSTALLATION	C
301	0100011	AR	Compound, Locking	
302	0641810	4	Bolt 1/2in-13NC x 1-1/4in	
303	0641826	2	Bolt 1/2in-13NC x 3-1/4in	
304	0902556	2	Bracket	

SECTION 2 TURNTABLE

FIGURE 2-4. TURNTABLE AND SWING DRIVE INSTALLATIONS (CONTINUED)

ITEM #	PART NUMBER	QTY.	DESCRIPTION	REV.
305	1660219	1	Coupling, Rotary	
305A	7013187	1	Seal Kit	
305B	1660219RR	1	Rebuilt Coupling	
306	3311801	2	Nut 1/2in-13NC	
307	4751800	8	Flatwasher 1/2in Regular	
	0259158	Ref	REMOTE BEARING LUBE INSTALLATION	B
401	2160002	1	Fitting, Grease	
402	2180344	1	Fitting, Bulkhead	
403	2220001	1	Fitting, Straight	
404	2220124	1	Fitting, Elbow	
405	2751095	1	Hose	
406	2220273	1	Fitting, Reducer	

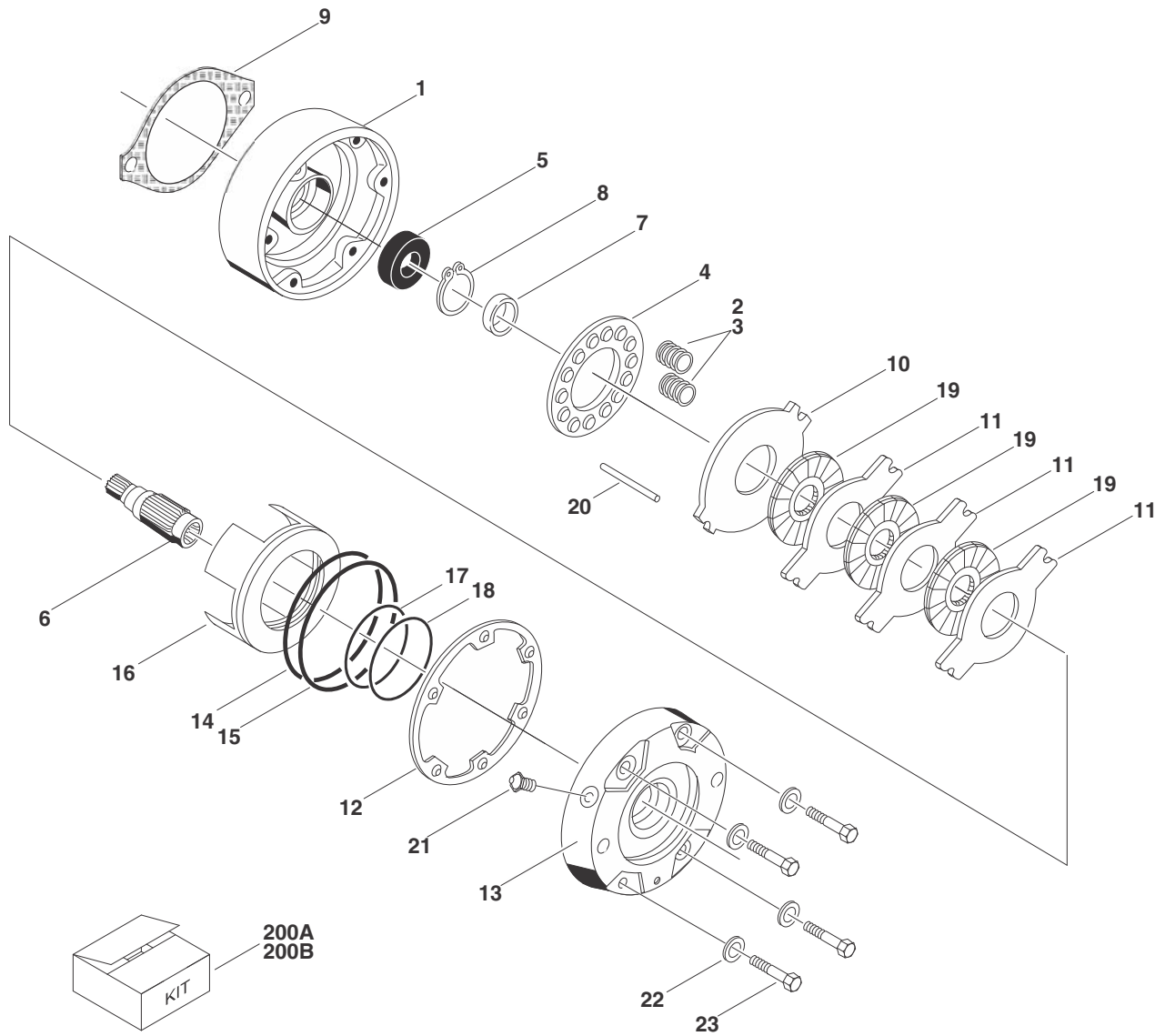
SECTION 2 TURNTABLE

FIGURE 2-4. TURNTABLE AND SWING DRIVE INSTALLATIONS (CONTINUED)

ITEM #	PART NUMBER	QTY.	DESCRIPTION	REV.

SECTION 2 TURNTABLE

FIGURE 2-5. SWING BRAKE ASSEMBLY



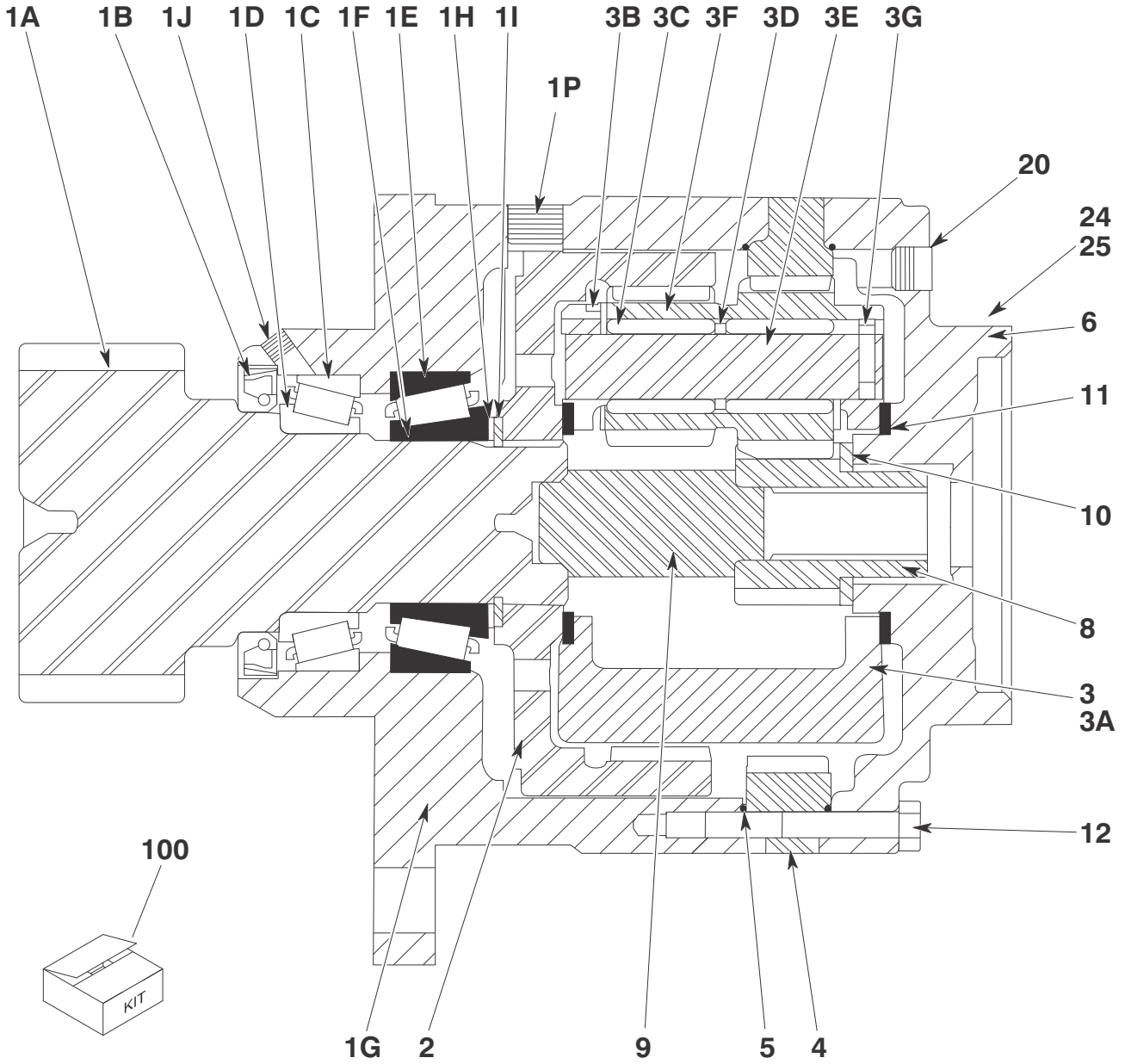
SECTION 2 TURNTABLE

FIGURE 2-5. SWING BRAKE ASSEMBLY

ITEM #	PART NUMBER	QTY.	DESCRIPTION	REV.
		Ref	SWING BRAKE ASSEMBLIES	
	0920116	Ref	Swing Brake Assembly (Prior to SN 0300063791)	B
1	Use 0920116	1	Housing (Note: Not Available - Purchase Complete Swing Brake Assembly)	
2	7000782	7	Spring, Compression	
3	7000798	7	Spring, Compression	
4	7003454	1	Retainer, Spring	
5	7003049	1	Bearing	
6	Use 0920116	1	Shaft (Note: Not Available for Purchase)	
7	7003050	1	Seal, Lip	
8	7003453	1	Ring, Snap	
9	7000731	1	Gasket	
10	Use 0920116	1	Disc, Primary (Note: Not Available for Purchase)	
11	7003459	3	Disc, Stationary	
12	7003452	1	Gasket	
13	Use 0920116	1	Plate, Power (Note: Not Available for Purchase)	
14	7000724	1	Ring, Back Up	
15	7000725	1	O-Ring	
16	Use 0920116	1	Piston (Note: Not Available for Purchase)	
17	7000722	1	Ring, Back Up	
18	7000723	1	O-Ring	
19	7003457	3	Disc, Rotating	
20	7003094	2	Pin, Torque	
21	7003078	1	Plug	
22	7003462	4	Flatwasher (Hardened)	
23	See Note	4	Bolt 1/2in-13NC (Note: Not Available - Purchase Locally)	
24	See Note	1	Plug, Protective (Not Shown) (Note: Not Available - Purchase Locally)	
100	0920119	Ref	Swing Brake Assembly (SN 0300063791 to SN 0300096000) (Not Shown)	B
	7007933	1	Gasket, Mounting Face	
	7007990	1	O-Ring, Mounting Face	
		Ref	Note: Other than Gasket and O-Ring, Item 200B Repair Kit is only part available.	
200		1	REPAIR KIT OPTIONS	
200A	See Note	1	Repair Kit for 0920116 Brake (Prior to SN 0300063791) (Note: Purchase Individual Parts)	
200B	7018612	1	Repair Kit for 0920119 Brake (SN 0300063791 to SN 0300096000)	

SECTION 2 TURNTABLE

FIGURE 2-6. SWING HUB ASSEMBLY



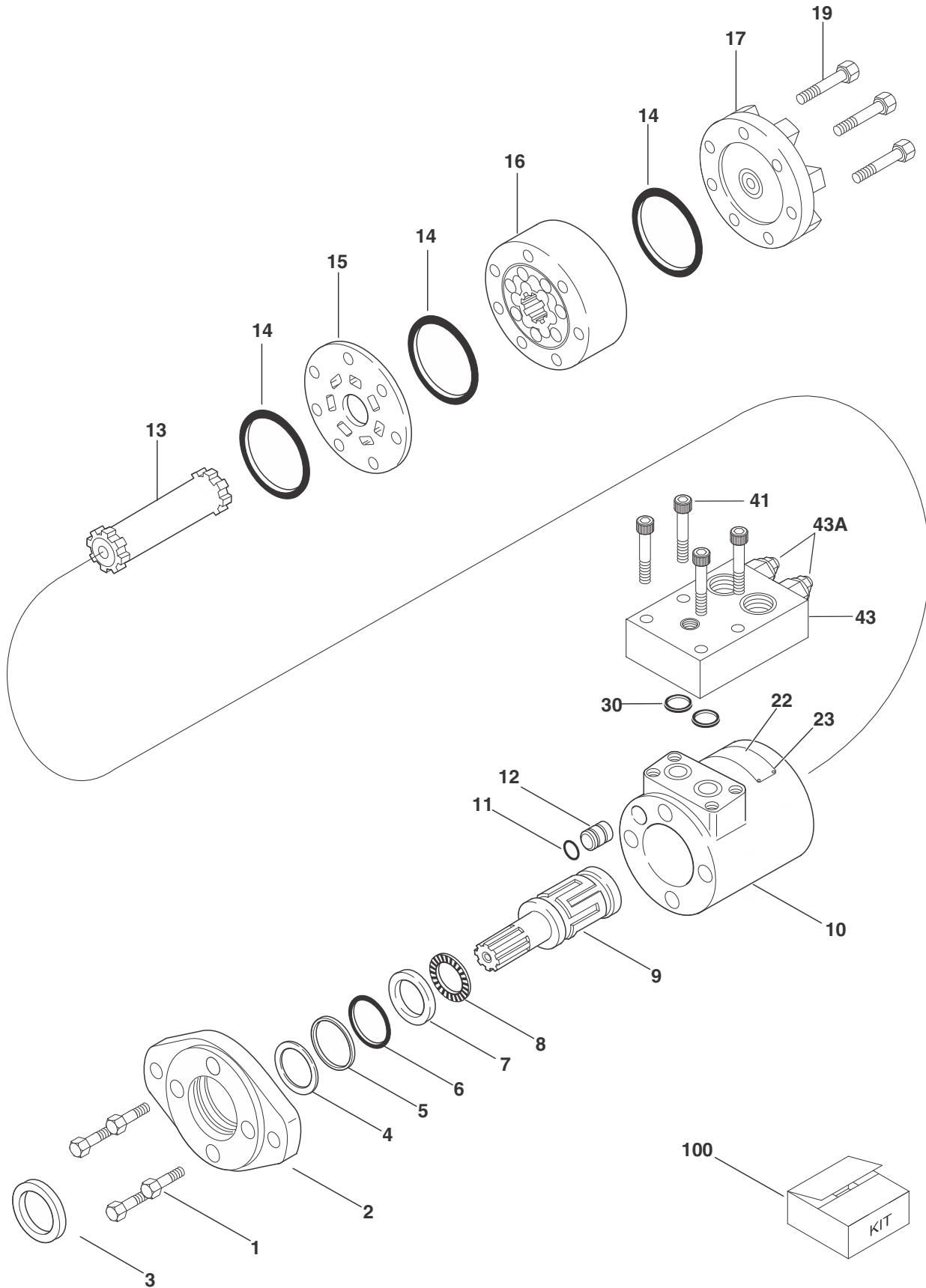
SECTION 2 TURNTABLE

FIGURE 2-6. SWING HUB ASSEMBLY

ITEM #	PART NUMBER	QTY.	DESCRIPTION	REV.
	2780247	Ref	SWING HUB ASSEMBLY	A
1	Use 2780247	1	Housing & Shaft Assembly (Note: Not Available - Purchase Complete Swing Motor/Hub Assembly)	
1A	7017064	1	Shaft, Output	
1B	7000228	1	Seal, Lip	
1C	7000255	1	Cup, Bearing	
1D	7000256	1	Cone, Bearing	
1E	7000257	1	Cup, Bearing	
1F	7000258	1	Cone, Bearing	
1G	7017065	1	Housing	
1H	7007633	1	Thrustwasher	
1I	7000229	1	Ring, Retaining	
1J	7010494	1	Plug, Pipe	
1K to 1N	Not Used			
1P	See Note	2	Plug, Pipe (Note: Not Available - Purchase Locally)	
2	7000246	1	Gear, Internal	
3	7017066	1	Carrier Assembly (Purchase p/n 7017066 for items 3A-3G)	
3A	Use 7017066	1	Housing, Carrier (Purchase Complete Assembly)	
3B	Use 7017066	6	Washer, Special (Purchase Complete Assembly)	
3C	Use 7017066	AR	Bearing, Needle (Purchase Complete Assembly)	
3D	Use 7017066	3	Thrustwasher (Purchase Complete Assembly)	
3E	Use 7017066	3	Pin (Purchase Complete Assembly)	
3F	Use 7017066	3	Gear (Purchase Complete Assembly)	
3G	Use 7017066	3	Pin, Retaining (Purchase Complete Assembly)	
4	7001988	1	Gear, Ring	
5	7000230	2	O-Ring	
6	7000209	1	Cover, Input	
7	Not Used			
8	7010488	1	Gear, Sun	
9	7000269	1	Spacer, Input	
10	7000270	1	Thrustwasher	
11	7000253	2	Thrustwasher	
12	7000217	8	Bolt	
13 to 19	Not Used			
20	2200222	1	Plug, Pipe	
21 to 23	Not Used			
24	See Note	1	Plate, ID (Note: Not Available for Purchase)	
25	7000281	2	Screw, Drive	
100	7024100	1	Seal Kit	

SECTION 2 TURNTABLE

FIGURE 2-7. SWING MOTOR ASSEMBLY



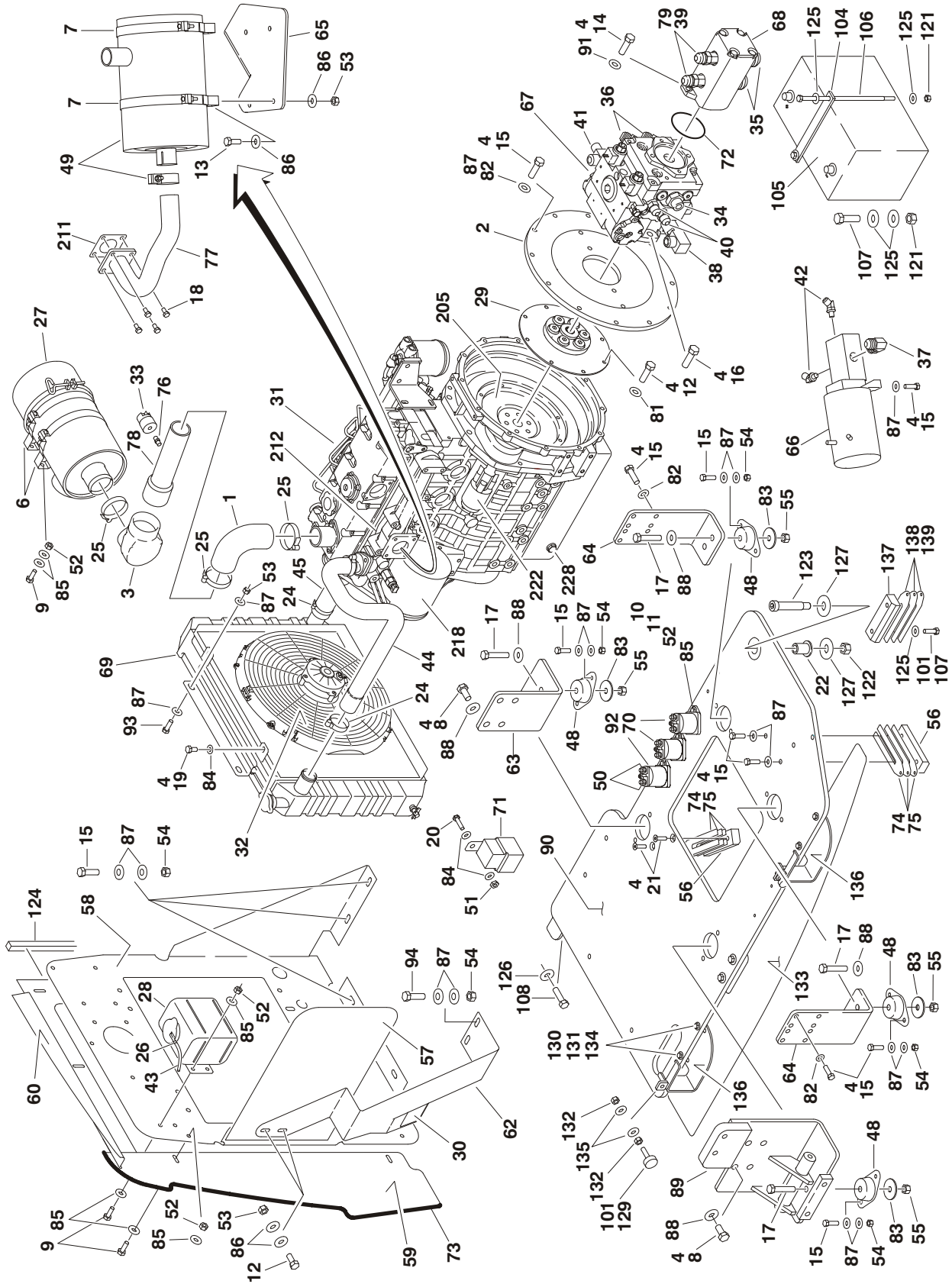
SECTION 2 TURNTABLE

FIGURE 2-7. SWING MOTOR ASSEMBLY

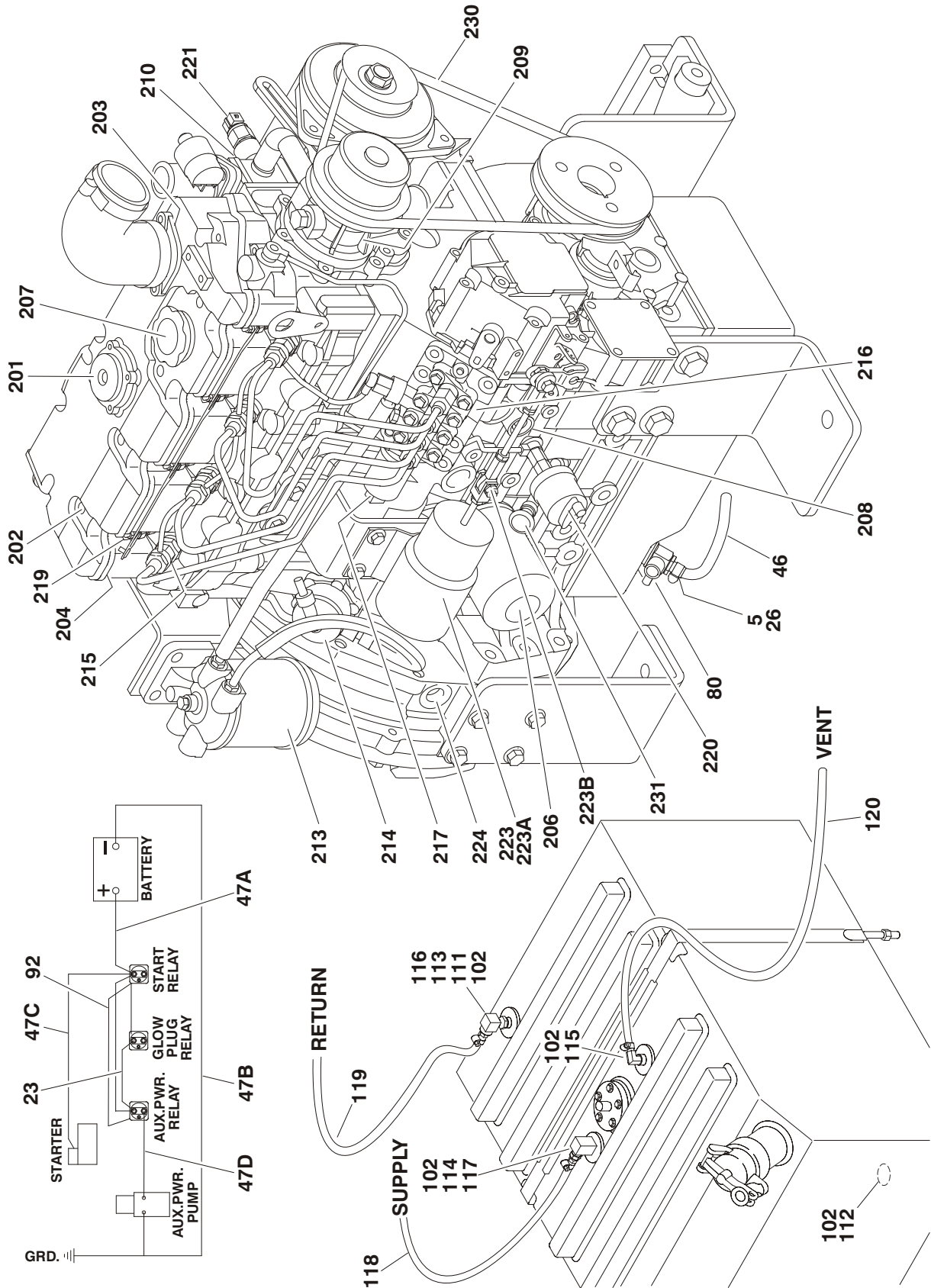
ITEM #	PART NUMBER	QTY.	DESCRIPTION	REV.
		Ref	SWING MOTOR ASSEMBLY OPTIONS:	
	3160249	Ref	Prior to SN 0300064259	B
	3160280	Ref	SN 0300064259 to SN 0300096000	B
1		4	Capscrew Options:	
	7009995		3160249 Motor (Prior to SN 0300064259)	
	7020357		3160280 Motor (SN 0300064259 to SN 0300096000)	
2	7009996	1	Flange, Mounting	
3	Use 2900733	1	Seal, Exclusion	
4	Use 2900733	1	Washer, Backup	
5	Use 2900733	1	Seal, Pressure	
6	Use 2900733	1	Seal	
7	7002117	1	Race, Bearing	
8	7002111	1	Bearing, Thrust Needle	
9	7009998	1	Shaft, Output	
10	7020352	1	Housing	
11	Use 2900733	1	O-Ring	
12	7009992	1	Plug, Housing	
13	7002112	1	Drive	
14	Use 2900733	3	Seal	
15	7002110	1	Plate, Spacer	
16	7002125	1	Gerotor Sub-Assembly	
17	7002107	1	Cap, End	
18	Not Used			
19	7014900	7	Capscrew	
20 to 21	Not Used			
22	See Note	1	Nameplate (Note: Not Available for Purchase)	
23	See Note	2	Rivet (Note: Not Available for Purchase)	
24 to 29	Not Used			
30	Use 2900733	2	O-Ring	
31 to 40	Not Used			
41	7020353	4	Capscrew	
42	Not Used			
43		1	Cartridge, Counterbalance Valve Options:	
	7020343		Prior to SN 0300064259	
	7020359		SN 0300064259 to SN 0300096000	
43A	7020356	2	Cartridge (Use on p/n 7020343)	
	7020362	2	Cartridge (Use on p/n 7020359)	
100	2900733	1	Seal Kit - Includes Items 3-6,11,14 & 30	

SECTION 2 TURNTABLE

FIGURE 2-8. CATERPILLAR ENGINE INSTALLATION



SECTION 2 TURNTABLE



SECTION 2 TURNTABLE

FIGURE 2-8. CATERPILLAR ENGINE INSTALLATION

ITEM #	PART NUMBER	QTY.	DESCRIPTION	REV.
		Ref	CATERPILLAR ENGINE ASSEMBLY	
	0272989	Ref	Prior to SN 0300086916	G
	2000313	Ref	SN 0300086916 to SN 0300096000	A
1	2180482	1	Elbow, Rubber	
2	0080181	1	Adaptor, Pump Mounting Plate	
3	0080201	1	Elbow, Rubber	
4	0100011	AR	Compound, Locking	
5	0100020	AR	Sealant	
6	0340041	2	Band, Air Cleaner Mounting	
7	0340046	2	Band, Muffler Mounting	
8	0630569	8	Bolt M14 x 30mm	
9	0641406	13	Bolt 1/4in-20NC x 3/4in	
10	0641408	5	Bolt 1/4in-20NC x 1in	
11	0641410	1	Bolt 1/4in-20NC x 1-1/4in	
12	0641506	10	Bolt 5/16in-18NC x 3/4in	
13	0641507	4	Bolt 5/16in-18NC x 7/8in	
14	0641608	2	Bolt 3/8in-16NC x 1in	
15	0641610	36	Bolt 3/8in-16NC x 1-1/4in	
16	0641812	2	Bolt 1/2in13NC x 1-1/2in	
17	0641820	4	Bolt 1/2in-13NC x 2-1/2in	
18	0700808	4	Bolt M8 x 16mm	
19	0721004	4	Screw #10-24NC x 1/2in	
20	0721006	1	Screw #10-24NC x 3/4in	
21	0741610	2	Screw, Countersunk 3/8in-16NC x 1-1/4in	
22	0962172	1	Bushing, Flanged	
23	1060904	1	Cable, Jumper	
24	1320012	4	Clamp	
25	1320016	4	Clamp	
26	1320022	3	Clamp	
27	1340060	1	Air Cleaner Assembly	
	7012664	1	Element, Air CLeaner	
28	1580011	1	Container, Overflow	
29	1660255	1	Pump, Coupling	
30	1703162	2	Decal - Fan Blade	
31	2000195	1	Caterpillar Engine Assembly	
32	2060032	1	Fan, Electric	
33	2180798	1	Fitting, Indicator Restriction (Prior to SN 0300086916)	
34	2220376	1	Fitting, Straight (Prior to SN 0300086916)	
35	2220479	2	Fitting, Straight (Prior to SN 0300086916)	
36	2220498	2	Fitting, Elbow (Prior to SN 0300086916)	
37	2220567	1	Fitting, Elbow	
38	2220578	1	Fitting (Prior to SN 0300086916)	
39	2220810	2	Fitting, Reducer (Prior to SN 0300086916)	
40	2220947	2	Fitting, Straight (Prior to SN 0300086916)	
41	2221041	1	Fitting, Tee (Prior to SN 0300086916)	
42	2221045	2	Fitting	
43	2720058	4in/10cm	Hose	

SECTION 2 TURNTABLE

FIGURE 2-8. CATERPILLAR ENGINE INSTALLATION (CONTINUED)

ITEM #	PART NUMBER	QTY.	DESCRIPTION	REV.
44	Use 1001102308	1	Hose, Radiator (Top) (was p/n 2720507 - No Longer Available) Note: 1001102308 Kit includes items indented below.	D
	1001101232	1	Hose (Block to Adapter)	
	1001101233	1	Hose (Adapter to Radiator)	
	1001101228	1	Adapter	
	1320012	2	Clamp	
45	2720508	1	Hose, Radiator (Bottom)	
46	2750532	6in/25cm	Hose	
47	2901880	1	Battery Cable Kit	
47A	7016843	1	Cable - Battery to Starter Relay	
47B	7016835	1	Cable - Battery & Auxiliary Pump to Ground	
47C	7016834	1	Cable - Starter Relay to Starter	
47D	7016820	1	Cable - Auxiliary Relay to Auxiliary Pump	
48	3200378	4	Mount, Motor	
49	3220113	1	Muffler	
	70001017	1	Clamp, Muffler	
50	3300220	6	Nut, Washer	
51	3311005	1	Locknut #10-24NC	
52	3311405	19	Locknut 1/4in-20NC	
53	3311505	6	Locknut 5/16in-18NC	
54	3311605	18	Locknut 3/8in-16NC	
55	3311805	4	Locknut 1/2in-13NC	
56	3340399	2	Pad, Wear	
57	3571019	1	Plate, Air Panel	
58	3571692	1	Plate, Radiator Mounting	
59	3572502	1	Plate, Air Flow (Side)	
60	3572503	1	Plate, Air Flow (Top)	
61	Not Used			
62	3573667	1	Plate, Radiator Support	
63	3574253	1	Plate, Engine Mounting (Front)	
64	3574259	2	Plate, Engine Mounting (Rear)	
65	3574264	1	Plate, Muffler Support	
66	Use 3600423	1	Auxiliary Pump Assembly (was p/n 3600279) (See AUXILIARY PUMP ASSEMBLY for Breakdown)	
67		1	Piston Pump Assembly Options (See PISTON PUMP ASSEMBLY for Breakdown):	
	3600296		Prior to SN 0300073424	
	3600385		SN 0300073424 to SN 0300078267	
	3600404		SN 0300078267 to SN 0300096000	
68		1	Gear Pump Assembly	
	3600368		Prior to SN 0300078267 (No Serviceable Parts Available)	
	3600405		SN 0300078267 to SN 0300096000 (See GEAR PUMP ASSEMBLY for Breakdown):	
69	3620046	1	Radiator	
	Use 8180311	1	Cap, Radiator (was p/n 7019656)	
70	3740067	3	Relay	
71	3740080	1	Relay	
72	3790152	1	O-Ring	
73	3960389	10ft/3m	Seal	
74	4070497	4	Shim	

SECTION 2 TURNTABLE

FIGURE 2-8. CATERPILLAR ENGINE INSTALLATION (CONTINUED)

ITEM #	PART NUMBER	QTY.	DESCRIPTION	REV.
75	4070498	2	Shim	
76	4360392	1	Switch, Restrictor Indicator (Prior to SN 0300086916)	
77	4568743	1	Pipe, Exhaust	
78		1	Tube, Air Intake Options:	
	4558765		Prior to SN 0300086916	
	4569176		SN 0300086916 to SN 0300096000	
79	4640744	1	Valve, Check (Prior to SN 0300086916)	
80	4641272	1	Valve, Oil Drain	
81	4711500	8	Flatwasher 5/16in Thin	
82	4711600	18	Flatwasher 3/8in Thin	
83	4740274	4	Washer, Snubbing	
84	4751000	6	Flatwasher #10 Regular	
85	4751400	38	Flatwasher 1/4in Regular	
86	4751500	12	Flatwasher 5/16in Regular	
87	4751600	42	Flatwasher 3/8in Regular	
88	4751800	11	Flatwasher 1/2in Regular	
89	4846821	1	Mount, Motor/Generator	
90	4846852	1	Tray	
91	4891600	2	Flatwasher 3/8in Hardened	
92	4922737	1	Harness, Engine Grounding	
93	0641609	4	Bolt 3/8in-16NC x 1-1/8in	
94	0941611	2	Bolt 3/8in-16NC x 1-3/8in	
		Ref	CATERPILLAR ENGINE INSTALLATION	
	0272994	Ref	Prior to SN 0300086916	D
	0274605	Ref	SN 0300086916 to SN 0300096000	A
101	0100011	AR	Compound, Locking	
102	0100020	AR	Sealant	
103	Not Used			
104	0361810	1	Bar, Battery Hold-Down	
105	0400075	1	Battery	
106	0630541	2	Bolt, Battery	
107	0641616	3	Bolt 3/8in-16NC x 2in	
108	0642010	1	Bolt 5/8in-11NC x 1-1/4in	
109	1320022	1	Clamp	
110	1320223	1	J-Clip	
111	2180536	1	Fitting, Straight Barbed	
112	2200222	1	Plug	
113	2220250	1	Fitting, Reducer	
114	2220273	1	Fitting, Reducer	
115	2220313	1	Fitting, Elbow Barbed	
116	2220459	1	Fitting, Elbow	
117	2220794	1	Fitting, Straight Barbed	
118	2720058	12ft/3.7m	Hose	
119	2720271	12ft/3.7m	Hose	
120	2750532	5ft/1.5m	Hose	
121	3311605	3	Locknut 3/8in-16NC	
122	3312005	1	Locknut 5/8in-11NC	

SECTION 2 TURNTABLE

FIGURE 2-8. CATERPILLAR ENGINE INSTALLATION (CONTINUED)

ITEM #	PART NUMBER	QTY.	DESCRIPTION	REV.
123	3900255	1	Screw, Shoulder	
124	3960469	1	Seal, Foam Gasket	
125	4751600	8	Flatwasher 3/8in Regular	
126	4752000	1	Flatwasher 5/8in-11NC	
127	4752200	2	Flatwasher 3/4in Regular	
128	1701505	1	Decal - Diesel Fuel (Not Shown - See DECAL SECTION)	
129	0940049	2	Bumper, Hood	
130	0641410	4	Bolt 1/4in-20NC x 1-1/4in	
131	3311405	4	Locknut 1/4in-20NC	
132	3311501	4	Nut 5/16in-18NC	
133	3572504	1	Plate	
134	4751400	8	Flatwasher 1/4in Regular	
135	4751500	4	Flatwasher 5/16in Regular	
136	4846096	2	Latch, Hood	
137	3340399	1	Pad, Wear	
138	4070498	1	Shim (16Ga.)	
139	4070497	2	Shim (11 Ga.)	
	2000195	Ref	CATERPILLAR ENGINE COMPONENTS	C
201	7026848	1	Breather, Valve	
	7026846	1	Gauze, Breather Valve	
202	7026847	4	Seal, Valve Cover Nut	
203	7026849	1	Gasket, Air Intake	
204	7026850	1	Seal, Valve Cover	
205	7026852	1	Flywheel with Starter Gear Set	
	7026853	1	Gear, Flywheel	
206	70001403	1	Filter, Oil (was p/n7026855)	
207	7026860	1	Cap, Oil Fill	
	7026856	1	Seal, Oil Fill Cap	
208	7026858	1	Valve, Relief	
	7026857	1	Seal	
209	7026864	1	Pump, Water	
	7026863	1	Gasket, Water Pump (Fits Between Pump and Pump Rear Plate)	
	7026865	1	Gasket, Water Pump (Fits Between Pump Rear Plate and Engine Block)	
210	7026867	1	Thermostat	
	See Note	1	Regulator, Water (Note: Not Available for Purchase)	
	7026866	1	Gasket (Fits Between Regulator and Engine Block)	
	7026868	1	Gasket, Thermostat (Fits Between Regulator and Hose Adapter)	
211	7026869	1	Gasket, Exhaust	
212	7026870	1	Gasket, Exhaust Manifold	
213	70001695	1	Filter Assembly	
	7026871	1	Element, Fuel Filter	
	7026872	2	Gasket, Fuel Filter Element	
214	7026873	1	Pump, Fuel Transfer	
	7026874	1	Seal,	
215	7026875	4	Injector, Fuel	
216	See Note	1	Pump, Fuel Injection (Note: Not Available for Purchase)	

SECTION 2 TURNTABLE

FIGURE 2-8. CATERPILLAR ENGINE INSTALLATION (CONTINUED)

ITEM #	PART NUMBER	QTY.	DESCRIPTION	REV.
217	Use 70001990	1	Solenoid, Fuel Shut-Off (was p/n 7026876) (Note: P/N 70001990 includes adapter harness if required.)	
218	Use 70000544 Use 70000544 70000544	1	Alternator Options: Prior to SN 0300091230 (was p/n 7026877) SN 0300091230 to SN 0300096000 Alternator Conversion Kit (Includes Alternator, Adapter Harness, Alternator Bracket, Lever & Mounting Hardware)	
	70001180	1	Bolt, Lower Pivot	
	70001257	1	Bracket, Adjustment	
219	7026878	4	Glowplug	
220	1001097554	1	Switch, Oil Pressure (was p/n7026844)	
221	7026840	1	Switch, Water Temperature	
	7026882	1	Seal, Sensor	
222	7026879	1	Starter	
223	See Note	1	Actuator/Linkage Assembly - Throttle (was p/n 1600351 which is not available as a service part. (Note: Use service replacement parts below.))	
223A	7026884		Actuator & Electrical Connector Kit	
	7026835	1	Connector, Actuator	
223B	7026843		Linkage Kit	
224	7026883	1	Speed Sensor Kit	
	7026836	1	Connector, Speed Sensor	
225	7026851	1	Seal, Rear Main (Not Shown - Located on Rear of Engine Block)	
226	7026854	1	Seal, Front Main (Not Shown - Located on Front of Engine Block)	
227	7026859	1	Gasket, Oil Pan (Not Shown)	
228	7026861	1	Plug, Drain	
229	7026862	1	Gasket, Valve Bracket (Not Shown - Located on Between Valve Bracket & Head)	
230	7026880	1	Belt	
231	7026885	1	Dipstick Oil Level	
	7026886	1	Tube, Dipstick	
	7026881	1	O-Ring, Dipstick Tube	

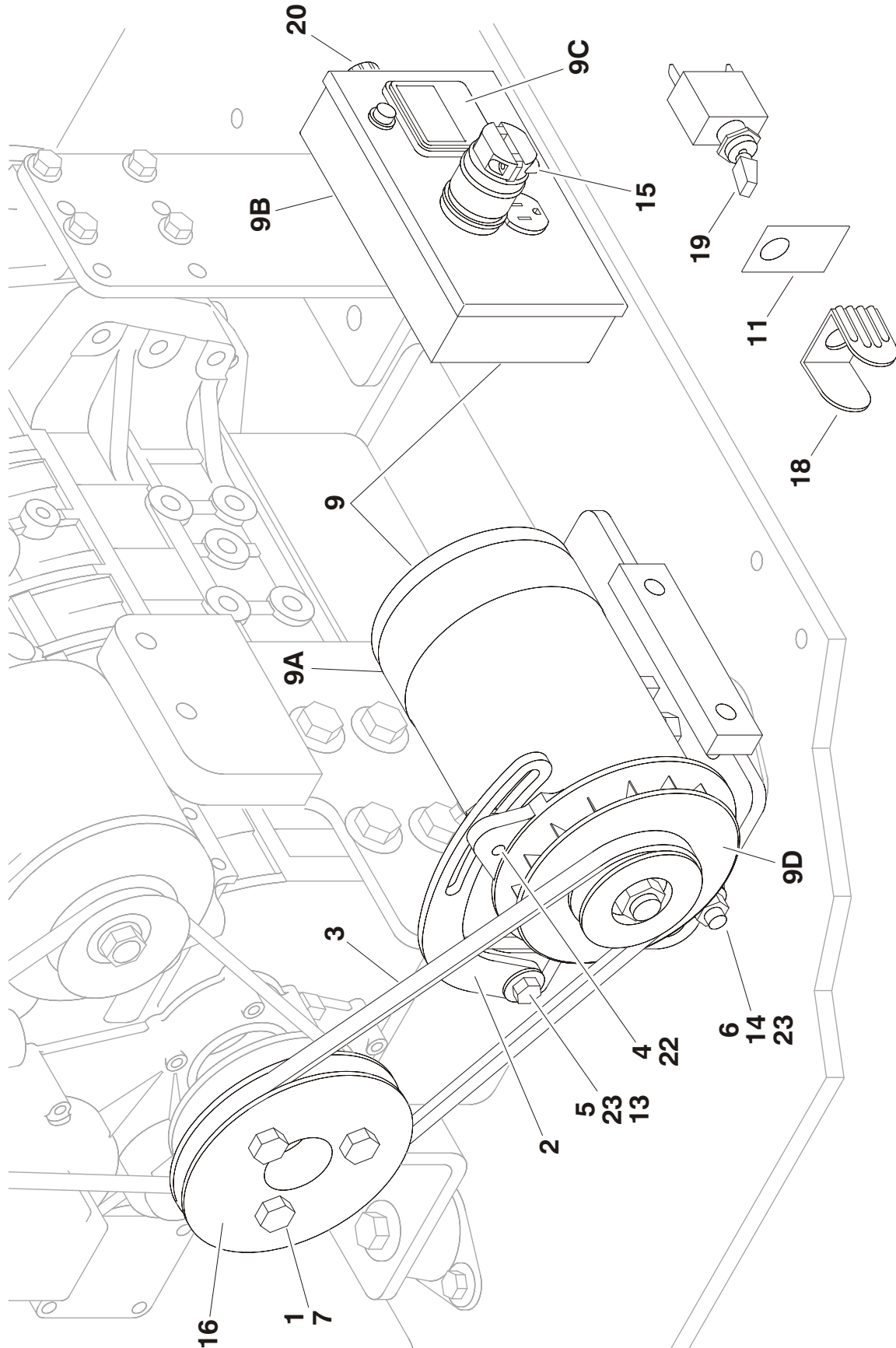
SECTION 2 TURNTABLE

FIGURE 2-8. CATERPILLAR ENGINE INSTALLATION (CONTINUED)

ITEM #	PART NUMBER	QTY.	DESCRIPTION	REV.

SECTION 2 TURNTABLE

FIGURE 2-9. GENERATOR INSTALLATION - CATERPILLAR MACHINES (OPTIONAL)



MOUNTED ON PLATFORM CONTROL BOX.

SECTION 2 TURNTABLE

FIGURE 2-9. GENERATOR INSTALLATION - CATERPILLAR MACHINES (OPTIONAL)

ITEM #	PART NUMBER	QTY.	DESCRIPTION	REV.
		Ref	GENERATOR INSTALLATION	
	0273050	Ref	110V/60Hz Generator (Prior to SN 0300082708)	B
	0274084	Ref	110V/60Hz Generator (SN 0300082708 to SN 0300096000)	A
	0273051	Ref	220V/50HZ Generator (ANSI Export Only)	B
		Ref	Note: Refer to Sky Power Accessories Manual p/n 3124242 for the Miller 7500W Generator.	
		Ref	Note: Aftermarket installation kit not available. Use items with (*) for 110V Generator or (^) for 220V Generator.	
1	0100011	AR	Compound, Locking	
2	0200742*^	1	Arm, Adjusting	
3		1	V-Belt Options:	
	0480122*		110V	
	0480120^		220V	
4	0641508*^	1	Bolt 5/16in-18NC x 1in	
5	0641610*^	1	Bolt 3/8in-16NC x 1-1/4in	
6	0641772*^	1	Bolt 7/16in-14NC x 9in	
7	0701217*^	3	Bolt, Metric 12mm x 45mm	
8	0721008*^	2	Bolt #10-24NC x 1in	
9		1	Generator and Control Box Assembly Options:	
	2460032		110V/60Hz Assembly (Prior to SN 0300082708)	
	2460055*		110V/60Hz Assembly (SN 0300082708 to SN 0300096000)	
	2460013^		220V/50Hz Assembly	
9A	7012558	1	Generator Only - 110V/60Hz	
	1001100321	1	Generator Only - 220V/50Hz	
		Ref	Note: Replacement Generators come standard with p/n 3580134 pulley. This pulley may not be correct for all applications. Refer to pulley options below.	
		1	Armature with Slip Rings Options:	
	7026199		Armature with Slip Rings - 110V/60Hz	
	70000123		Armature with Slip Rings - 220V/50Hz	
	7012513	4	Cap, Brush Holder	
	7020108	4	Brush	
	7020109	4	Holder, Brush	
	7012514	1	Fan	
	7020110	1	Bell, Front	
	7020111	1	Bell, Rear	
	7020190	2	Bearing	
	7020193	1	Cord, Power	
9B	7003657	1	Box, Control - 110V/60Hz (Prior to SN 0300082708)	
	7019680	1	Box, Control - 110V/60Hz (SN 0300082708 to SN 0300096000)	
	70002235	1	Box, Control - 220V/50Hz	
		AR	Receptacle Options:	
	4460190	1	Receptacle, Standard (110V Only)	
	4460027	1	Receptacle, Twistlock (110V Only)	
	70000124	1	Receptacle, Double (220V/50Hz Only)	
	70000125	1	Receptacle, Single (220V/50Hz Only)	

SECTION 2 TURNTABLE

**FIGURE 2-9. GENERATOR INSTALLATION - CATERPILLAR MACHINES (OPTIONAL)
(CONTINUED)**

ITEM #	PART NUMBER	QTY.	DESCRIPTION	REV.
9B (cont'd)		1	Breaker, Circuit Options:	
	4360542		Breaker 110V/60Hz	
	70000126		Breaker 220V/50Hz	
	3520028	1	Plug, Hole	
	2920162	1	Lamp Assembly (Not Required on 2460055 Generator Assembly)	
	7020191	1	Switch, Toggle (Not Required on 2460055 Generator Assembly)	
9C		1	Voltmeter Options:	
	2420203		Voltmeter - 110V	
	7020192		Voltmeter - 220V	
9D		1	Pulley Options:	
	3580276		Pulley - 60Hz	
	3580134		Pulley - 50Hz	
	7027887	1	Key, Woodruff	
10	2820031	1	Heatshrink (Not Shown - Located at Platform)	
11	3251102*^	1	Decal (Located at Platform)	
12	3311005*^	2	Locknut #10-24NC	
13	3311605*^	1	Locknut 3/8in-16NC	
14	3311705*^	1	Locknut 7/16in-14NC	
15	3520028*^	1	Plug, Hole	
16	3580315*^	1	Pulley	
17	3740080*^	1	Relay (Not Shown - Located Back Side of Engine Tray with Existing Relays)	
18	4060802*^	1	Guard, Switch (Located at Platform)	
19	4360336*^	1	Switch, Toggle - SPST (Located at Platform)	
20	4460023*^	1	Connector, Strain Relief	
21	4751000*^	8	Flatwasher #10 Regular	
22	4751500*^	1	Flatwasher 5/16in Regular	
23	4751600*^	6	Flatwasher 3/8in Regular	

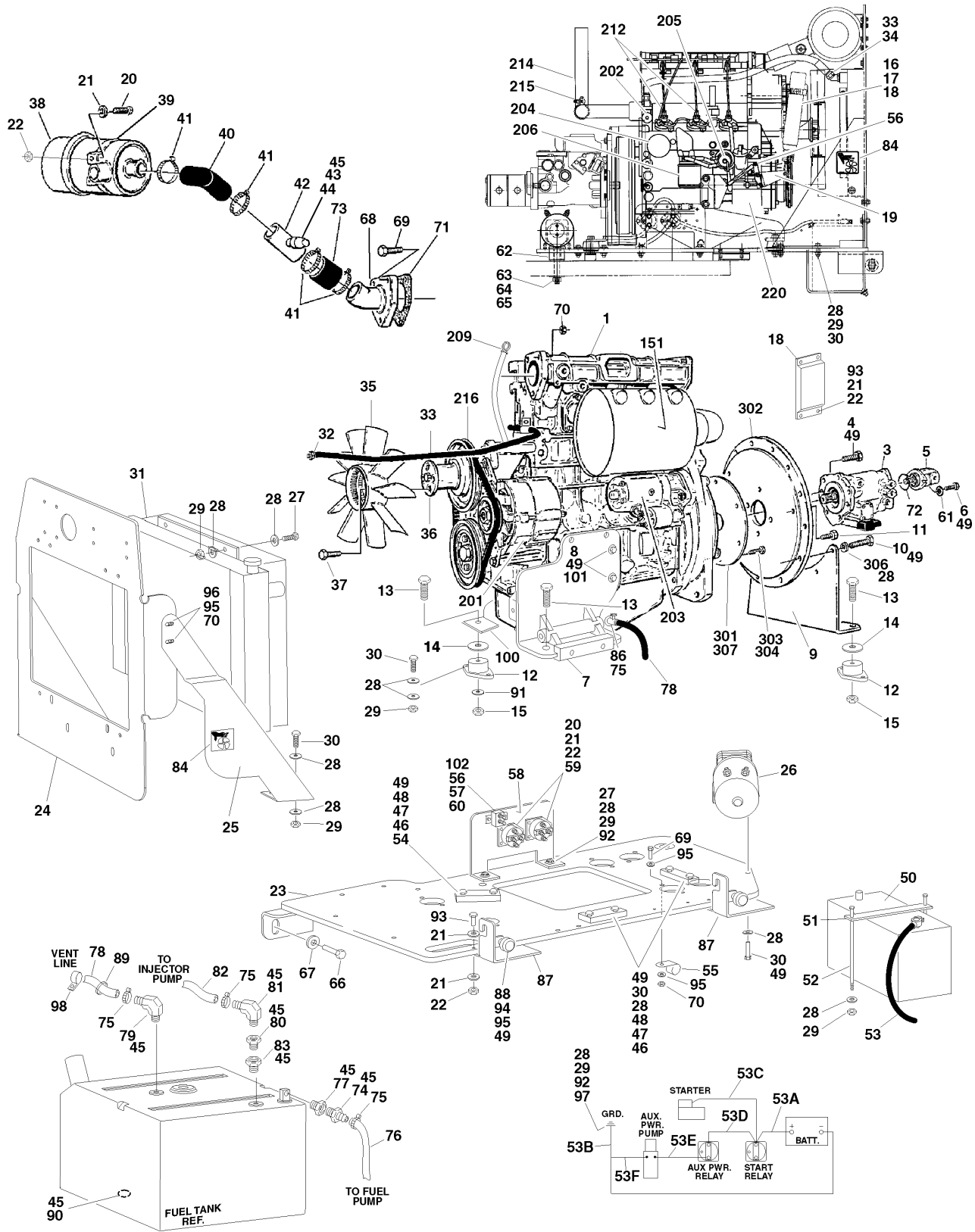
SECTION 2 TURNTABLE

**FIGURE 2-9. GENERATOR INSTALLATION - CATERPILLAR MACHINES (OPTIONAL)
(CONTINUED)**

ITEM #	PART NUMBER	QTY.	DESCRIPTION	REV.

SECTION 2 TURNTABLE

FIGURE 2-10. DEUTZ ENGINE INSTALLATION (PRIOR TO SN 0300077682)



SECTION 2 TURNTABLE

FIGURE 2-10. DEUTZ ENGINE INSTALLATION (PRIOR TO SN 0300077682)

ITEM #	PART NUMBER	QTY.	DESCRIPTION	REV.
		Ref	DEUTZ ENGINE INSTALLATIONS	
	0259138	Ref	Standard Machines (Prior to SN 0300064404)	11/H
	0271245	Ref	ADE System Machines (SN 0300064404 to SN 0300077682)	13/I
1		1	Engine Assembly Options: Prior to SN 0300064404 SN 0300064404 to SN 0300065460 SN 0300065460 to SN 0300077682	
2	2000162			
	2000175			
	2000190			
3	Not Used			
4		1	Piston Pump Assembly Options (See PISTON PUMP ASSEMBLY for Breakdown): Prior to SN 0300073424 SN 0300073424 to SN 0300077682	
	3600296			
	3600385			
5	0641812	2	Bolt 1/2in-13NC x 1-1/2in	
6		1	Gear Pump Assembly Options: Prior to SN 0300070763 (See GEAR PUMP ASSEMBLY for Breakdown) SN 0300070763 to SN 0300096000 (No Service Parts Available)	
	3600297			
	3600368			
7	0641608	2	Capscrew, Socket Head 3/8in-16NC x 1in	
8		1	Plate, Front Mounting Options: Prior to SN 0300064404 SN 0300064404 to SN 0300068836 SN 0300068836 to SN 0300077682	
	3570800			
	4846478			
	4846567			
9	0701414	4	Bolt, Metric 14mm x 30mm	
10	3570801	1	Plate, Rear Mounting	
11	0701015	4	Bolt, Metric 10mm x 35mm	
12	0701012	4	Bolt, Metric 10mm x 25mm	
13	3200378	4	Mount, Rubber Motor	
14	0641820	4	Bolt 1/2in-13NC x 2-1/2in	
15	4740274	4	Washer, Snubbing	
16	3311805	4	Locknut 1/2in-13NC	
17	0902461	1	Bracket, Throttle Mount (Part of Item 17) (Prior to SN 0300064404)	
18	2901637	1	Throttle Mounting Kit (Prior to SN 0300064404)	
19	Use 2910000	1	Actuator Assembly (was p/n 0060033) (See ELECTRICAL SECTION for Breakdown) (Prior to SN 0300064404)	
20	0902464	1	Bracket, Throttle Mounting (Part of Item 17) (Prior to SN 0300064404)	
21	0641406	8	Bolt 1/4in-20NC x 3/4in	
22	4751400	24	Flatwasher 1/4in Regular	
23	3311405	14	Locknut 1/4in-20NC	
		1	Tray, Engine Options: Prior to SN 0300075078 SN 0300075078 to SN 0300077682	
	4846080			
	4846809			
24	3571692	1	Plate, Radiator Mount	
25		1	Plate, Radiator Support Options: Prior to SN 0300069030 SN 0300069030 to SN 0300077682	
	3570607			
	3573667			

SECTION 2 TURNTABLE

FIGURE 2-10. DEUTZ ENGINE INSTALLATION (PRIOR TO SN 0300077682) (CONTINUED)

ITEM #	PART NUMBER	QTY.	DESCRIPTION	REV.
26	Use 3600423	1	Auxiliary Pump Assembly (was p/n 3600279) (See AUXILIARY PUMP ASSEMBLY for Breakdown)	
27	0641610	6	Bolt 3/8in-16NC x 1-1/4in	
28	4751600	50	Flatwasher 3/8in Regular	
29	3311605	23	Locknut 3/8in-16NC	
30	0641611	18	Bolt 3/8in-16NC x 1-3/8in	
31	3620033	1	Cooler, Oil	
32	2220451	2	Fitting, Straight	
33	2720398	60in/1.5m	Hose (Qty 2 of 30in length)	
34	2220409	1	Fitting, Elbow (Prior to SN 0300075502)	
35	2060025	1	Fan	
36	0080231	1	Spacer, Fan	
37	0700816	4	Bolt, Metric 8mm x 40mm	
38	1340060	1	Air Cleaner Assembly	
	7012664	1	Element, Air Cleaner	
39	0340041	2	Band, Mounting	
40	2720434	1	Elbow	
41	1320016	4	Clamp, Hose	
42	4567495	1	Tube, Air Intake	
43	4360392	1	Switch, Restrictor Indicator	
44	2180798	1	Fitting	
45	0100020	AR	Sealant, Pipe	
46	3340399	3	Pad, Wear	
47	4070497	4	Shim 1/8in	
48	4070498	2	Shim 1/16in	
49	0100011	AR	Compound, Locking	
50		1	Battery Options:	
	0400075		Battery (Wet)	
	7016180		Battery (Dry)	
51		1	Battery Tie-Down Options:	
	0360541		Prior to SN 0300054188	
	0361810		SN 0300054188 to SN 0300077682	
52		2	Bolt, Tie-Down Options:	
	0630498		Prior to SN 0300064404	
	0630541		SN 0300064404 to SN 0300077682	
53	2901880	1	Cable Kit - Battery	D
53A	7016817	1	Cable - Battery to Starter Relay (Prior to SN 0300063791)	
	7016843	1	Cable - Battery to Starter Relay (SN 0300063791 to SN 0300077682)	
53B	7016833	1	Cable - Battery & Auxiliary Pump to Ground (Prior to SN 0300063791)	
	7016835	1	Cable - Battery & Auxiliary Pump to Ground (SN 0300063791 to SN 0300077682)	
53C	7016834	1	Cable - Starter Relay to Starter	
53D	7016803	1	Cable - Starter Relay to Auxiliary Relay (Prior to SN 0300063791)	
53E	7016820	1	Cable - Auxiliary Relay to Auxiliary Pump	
54	0741610	2	Screw, Flathead 3/8in-16NC x 2in	
55	1320222	1	J-Clamp	
56	4751000	3	Flatwasher #10 Regular	

SECTION 2 TURNTABLE

FIGURE 2-10. DEUTZ ENGINE INSTALLATION (PRIOR TO SN 0300077682) (CONTINUED)

ITEM #	PART NUMBER	QTY.	DESCRIPTION	REV.
57	3311005	2	Locknut #10-24NC (Prior to SN 0300064404)	
58	3570808	1	Plate, Relay Mounting	
59	3740067	2	Relay	
60	4360294	1	Breaker, Circuit (Prior to SN 0300064404)	
61	4891600	2	Flatwasher, Hardened 3/8in	
62	0962172	1	Bushing, Flanged	
63	3900255	1	Bolt Shoulder 3/4in x 3in	
64	4752200	2	Flatwasher 3/4in Regular	
65	3312005	1	Locknut 5/8in-11NC	
66	0642010	1	Bolt 5/8in-11NC x 1-1/4in	
67	4752000	1	Flatwasher 5/8in Regular	
68	4845395	1	Air Intake Adapter Weldment	
69	0641510	4	Bolt 5/16in-18NC x 1-1/4in	
70	3311505	6	Locknut 5/16in-18NC	
71	3960407	1	Gasket	
72	3790152	1	O-Ring	
73		AR	Coupling, Rubber Options:	
	2720351	4in/10cm	Prior to SN 0300068062	
	2720449	1	SN 0300068062 to SN 0300077682	
74	2220794	1	Fitting, Barb	
75	1320022	6	Clamp, Hose	
76	2720058	12ft/3.7m	Hose	
77	2220273	1	Fitting, Reducer	
78	2750532	7ft/2.1m	Hose	
79	2220313	1	Fitting, Elbow	
80	2220250	1	Fitting, Reducer	
81	2220459	1	Fitting, Elbow	
82	2720271	12ft/3.7m	Hose	
83	2180536	1	Fitting, Straight	
84	1703162	2	Decal - Fan	
85	1701505	1	Decal - Diesel Fuel (Not Shown - Located on Hood Near Tank)	
86	4640751	1	Valve, Oil Drain	
87	4846096	2	Bracket, Hood Latch	
88	0940049	2	Bumper, Hood	
89	4240099	1	Tie-Strap	
90	2200222	1	Plug, Pipe	
91	4751800	4	Flatwasher 1/2in Regular	
92	4791600	3	Starwasher 3/8in	
93	0641410	6	Bolt 1/4in-20NC x 1-1/4in	
94	3311501	4	Nut 5/16in-18NC	
95	4751500	9	Flatwasher 5/16in Regular	
96	0641506	2	Bolt 5/16in-18NC x 3/4in	
97	0641616	1	Bolt 3/8in-16NC x 2in	
98	1320223	1	Camp, Hose	
99	2820128	1	Insulation, Heat Shield (Not Shown)	
100	0902740	1	Bracket, Engine Mount (Right Side) (SN 0300064404 to SN 0300077682)	
101	4711900	6	Flatwasher 9/16in Thin (SN 0300064404 to SN 0300077682)	

SECTION 2 TURNTABLE

FIGURE 2-10. DEUTZ ENGINE INSTALLATION (PRIOR TO SN 0300077682) (CONTINUED)

ITEM #	PART NUMBER	QTY.	DESCRIPTION	REV.
		Ref	MUFFLER INSTALLATION OPTIONS	
151		1	Muffler Options:	
	3220110		Standard Spark Arrestor	
	3220112		Catalytic	
	1320176	1	Clamp	
		Ref	ENGINE COMPONENTS:	
	2000162	Ref	Prior to SN 0300064404	
	2000175	Ref	SN 0300064404 to SN 0300065460	
	2000190	Ref	SN 0300065460 to SN 0300077682	
201		1	Alternator Options:	
	Use 7000663		2000162 Engine (was p/n 7016329 & 7020410)	
	Use 7000663		2000175/2000190 Engines (was p/n 7020410)	
	70002234		Bracket, Adjusting	
	70000851		Bracket, Alternator Mounting	
	7020464		Regulator, Voltage (Not Shown)	
202		1	Switch, Oil Pressure Options:	
	7016330		2000162 Engine	
	7020461		2000175/2000190 Engines	
203		1	Starter Options:	
	7016332		2000162 Engine	
	7020479		2000175/2000190 Engines	
204	7016331	1	Filter, Oil (was p/n 7016641)	
205		1	Pump, Fuel Supply Options:	
	7020463		2000162 Engine	
	Use 7020463		2000175/2000190 Engine (was p/n 7024413)	
	7020411	1	2000175/2000190 Engine - O-Seal Between Fuel Pump & Engine Block (Not Shown)	
206	7020023	1	Filter, Fuel	
207	7020024	1	Breather, Crankcase (Not Shown) (2000162 Engine Only)	
208		1	Actuator, Throttle Options (Not Shown):	
	7016359		2000162 Engine	
	7020458		2000175/2000190 Engines	
	7027250	1	Spring for 7016359 Actuator	
	7027276	2	Spring for 7020458 Actuator	
209	7020026	1	Dipstick	
	70001002		Tube (2000162 Engine Only)	
210	7020027	1	Flywheel (Not Shown) (2000162/2000175 Engine Only)	
	70000264	1	Flywheel (Not Shown) (2000190 Engine Only)	
	7020477	1	Ring, Gear (Not Shown) (2000162/2000175 Engine Only)	
	7024579	1	Ring, Gear (Not Shown) (2000190 Engine Only)	
211		1	Switch, Oil Temperature (Not Shown) Options:	
	7020025		2000162 Engine	
	7020168		2000175/2000190 Engines	
	7020480	1	2000175/2000190 Engines - Seal, Temperature Switch	
212		3	Pump, Fuel Injection Options:	
	7024318		2000162 Engine	
	Use 7024318		2000175 Engine (was p/n 7020462)	
	7024318		2000190 Engine	

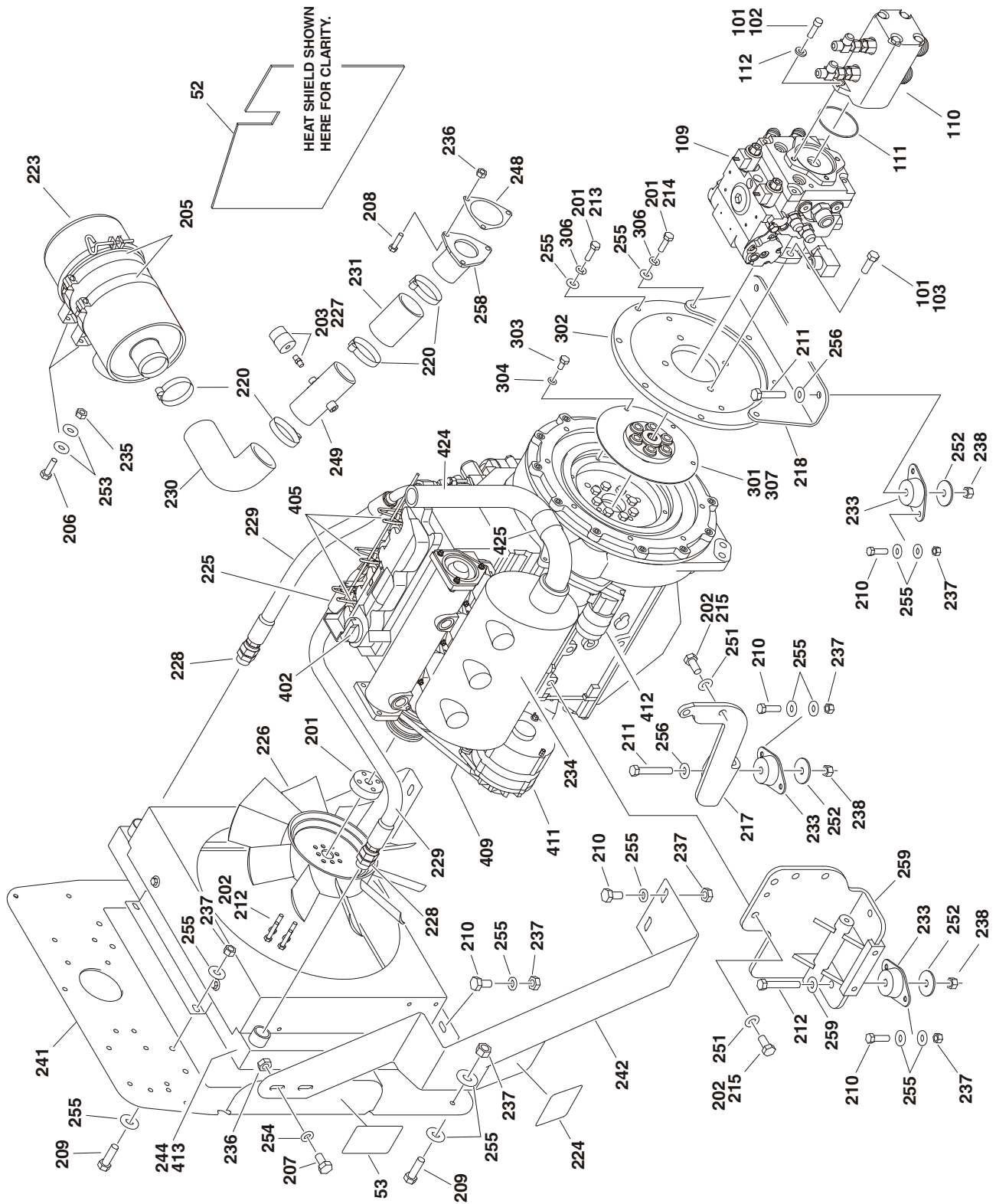
SECTION 2 TURNTABLE

FIGURE 2-10. DEUTZ ENGINE INSTALLATION (PRIOR TO SN 0300077682) (CONTINUED)

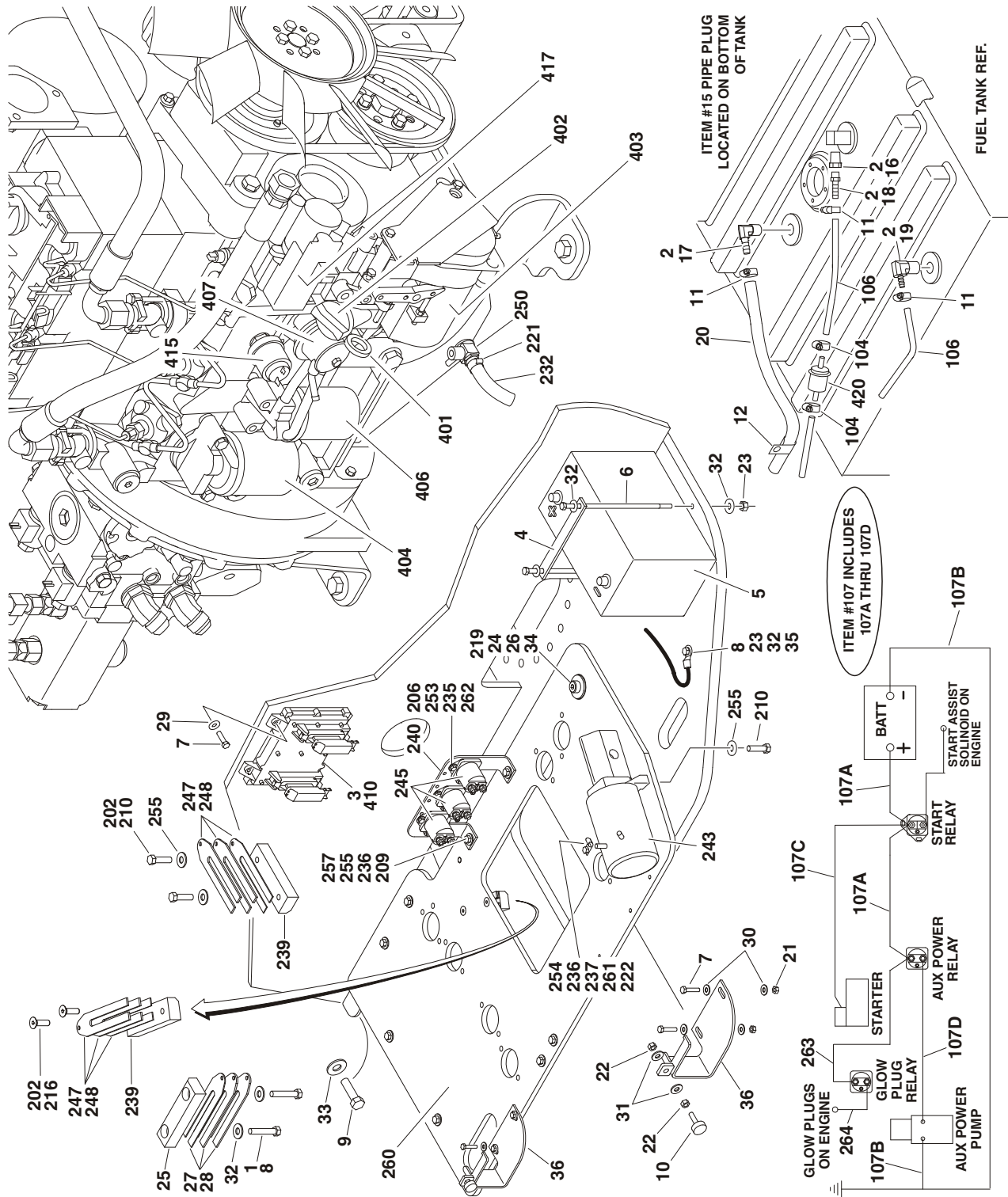
ITEM #	PART NUMBER	QTY.	DESCRIPTION	REV.
213	See Note 7024565 70003932	1	Sensor, Tach/Speed Options (Not Shown): 2000162 Engine (Note: Not Available for Purchase) 2000175/2000190 Engines (was p/n 7020481) Spacer, Sleeve -2000175/2000190 Engines	
214	7020169	1	Pipe, Exhaust Pipe	
215	1320176	1	Clamp, Exhaust	
216	7020408	1	V-Belt	
217	7020446	1	Timing Kit, Belt & Idler (Not Shown)	
218	7020465	1	Cap, Filler (Not Shown)	
219	7020471	3	Gasket, Exhaust Manifold (Not Shown)	
	7020449	3	Gasket, Intake Manifold (Not Shown)	
220	See Note 7020467	3	Pump, Oil Options: 2000162 Engine (Note: Not Available for Purchase) 2000175/2000190 Engine	
	7020468	1	2000175/2000190 Engine - Seal Between Oil Pump & Engine Block (Not Shown)	
221	7020482	1	Gasket, Kit (Not Shown) (2000190 Engine Only)	
222	7020488	1	Connector Plug-In (Not Shown) (2000190 Engine Only)	
223	70000787	1	Support, Fan (Not Shown) (2000162 Engine Only)	
224		1	Gasket, Head Options (Not Shown) (2000162 Engine Only):	
	70003039		Gasket - 1 Notch	
	70003040		Gasket - 2 Notch	
	70003041		Gasket - 3 Notch	
	0256847	Ref	PUMP COUPLING INSTALLATION	—
301	1660234	1	Coupling, Hayes	
302	0080163	1	Plate, Pump Adapter	
303	0700810	6	Bolt Metric 8mm x 20mm	
304	4831900	6	Lockwasher 8mm	
305	Not Used			
306	4832000	8	Lockwasher 10mm	
307	3020021	AR	Grease, Coupling	

SECTION 2 TURNTABLE

FIGURE 2-11. DEUTZ ENGINE INSTALLATION (SN 0300077682 TO SN 0300096000)



SECTION 2 TURNTABLE



SECTION 2 TURNTABLE

FIGURE 2-11. DEUTZ ENGINE INSTALLATION (SN 0300077682 TO SN 0300096000)

ITEM #	PART NUMBER	QTY.	DESCRIPTION	REV.
		Ref	DEUTZ ENGINE INSTALLATIONS	
	0273944	Ref	SN 0300077682 to SN 0300085617	D
	0274334	Ref	SN 0300085617 to SN 0300096000	C
1	0100011	AR	Compound, Locking	
2	0100020	AR	Sealant, Pipe	
3	0100048	AR	Grease, Dielectric (SN 0300077682 to SN 0300085617)	
4	0361810	1	Bar, Battery Hold-Down	
5	0400075	1	Battery	
6	0630541	2	Bolt, Battery	
7	0641410	4	Bolt 1/4in-20NC x 1-1/4in	
8	0641616	3	Bolt 3/8in-16NC x 2in	
9	0642010	1	Bolt 5/8in-11NC x 1-1/4in	
10	0940049	2	Bumper, Hood	
11	1320022	3	Clamp	
12	1320223	1	J-Clip (Not Shown - Located on Fuel Vent Line)	
13	1701515	1	Decal - Diesel Fuel (Not Shown - See DECAL SECTION for Location)	
14	Not Used			
15	2200222	1	Plug, Pipe (Not Shown - Located on Bottom of Fuel Tank)	
16	2220273	1	Fitting, Reducer	
17	2220313	1	Fitting, Elbow Barbed	
18	2220794	1	Fitting, Straight Barbed	
19	2221176	1	Fitting, Elbow	
20	2750532		Hose Options:	
		7ft/2.1m	SN 0300077682 to SN 0300085617	
		5ft/1.5m	SN 0300085617 to SN 0300096000	
21	3311405	4	Locknut 1/4in-20NC	
22	3311501	4	Nut 5/16in-18NC	
23	3311605	3	Locknut 3/8in-16NC	
24	3312005	1	Locknut 5/8in-11NC	
25	3340399	1	Pad, Wear	
26	3900255	1	Bolt, Shoulder	
27	4070498	1	Shim (16Ga.)	
28	4070497	2	Shim (11 Ga.)	
29	4711400	4	Flatwasher 1/4in Thin	
30	4751400	8	Flatwasher 1/4in Regular	
31	4751500	4	Flatwasher 5/16in Regular	
32	4751600	8	Flatwasher 3/8in Regular	
33	4752000	1	Flatwasher 5/8in Regular	
34	4752200	2	Flatwasher 3/4in Regular	
35	4791600	1	Starwasher 3/8in	
36	4846096	2	Latch, Hood	
37 to 50	Not Used			
51	4922978	1	Harness, Start Assist (Not Shown - See ELECTRICAL SECTION for Breakdown)	
52	2820128	1	Insulation, Heat Shield	

SECTION 2 TURNTABLE

**FIGURE 2-11. DEUTZ ENGINE INSTALLATION (SN 0300077682 TO SN 0300096000)
(CONTINUED)**

ITEM #	PART NUMBER	QTY.	DESCRIPTION	REV.
53	1704972 1706064 1706060 1706061 1706062 1706059 1706063	1	Decal - Warning Explosion/Fire Options: ANSI English CSA English/Chinese English/Korean English/Japanese English/Portuguese English/Spanish	
		Ref	ENGINE & PUMPS SUB-ASSEMBLY	
	2000245	Ref	SN 0300077682 to SN 0300085617	B
	2000286	Ref	SN 0300085617 to SN 0300096000	B
101	0100011	AR	Compound, Locking	
102	0641608	2	Bolt 3/8in-16NC x 1in	
103	0641812	2	Bolt 1/2in-13NC x 1-1/2in	
104	1320022	2	Clamp	
105	Not Used			
106	2720058	12ft/3.7m	Hose	
107	2901880	1	Battery Cable Kit	D
107A	7016843	1	Cable - Battery to Starter & Auxiliary Relays (Includes Red Boot at Battery Terminal)	
107B	7016835	1	Cable - Battery & Auxiliary Pump to Ground (Includes Red Boot at Battery Terminal)	
107C	7016834	1	Cable - Starter Relay to Starter	
107D	7016820	1	Cable - Auxiliary Relay to Auxiliary Pump	
108	Not Used			
109	3600404	1	Piston Pump Assembly with Fittings (See PISTON PUMP ASSEMBLY for Breakdown):	
110	3600405	1	Gear Pump Assembly with Fittings (See GEAR PUMP ASSEMBLY for Breakdown)	
111	3790152	1	O-Ring	
112	4891600	2	Flatwasher 3/8in Hardened	
		Ref	ENGINE ASSEMBLY	
	2000247	Ref	SN 0300077682 to SN 0300085617	F
	2000287	Ref	SN 0300085617 to SN 0300092802	B
	2000347	Ref	SN 0300092802 to SN 0300096000	B
201	0080231	1	Adapter, Fan Spacer	
202	0100011	AR	Compound, Locking	
203	0100020	AR	Sealant, Pipe	
204	Not Used			
205	0340041	2	Band, Air Cleaner	
206	0641406	8	Bolt 1/4in-20NC x 3/4in	
207	0641507	2	Bolt 5/16in-18NC x 7/8in	
208	0641510	AR	Bolt 5/16in-18NC x 1-1/4in	
	0641512	AR	Bolt 5/16in-18NC x 1-1/2in	
209	0641609	6	Bolt 3/8in-16NC x 1-1/8in	

SECTION 2 TURNTABLE

**FIGURE 2-11. DEUTZ ENGINE INSTALLATION (SN 0300077682 TO SN 0300096000)
(CONTINUED)**

ITEM #	PART NUMBER	QTY.	DESCRIPTION	REV.
210	0641611	18	Bolt 3/8in-16NC x 1-3/8in	
211	0641820	4	Bolt 1/2in-13NC x 2-1/2in	
212	0700816	4	Bolt 8mm x 40mm	
213	0771012	4	Bolt 10mm x 25mm	
214		4	Bolt 10mm Options:	
	0701015		SN 0300077682 to SN 0300085617 (35 mm Length)	
	0701014		SN 0300085617 to SN 0300096000 (30 mm Length)	
215	0701414	6	Bolt 14mm x 30mm	
216	0741610	2	Screw, Countersunk 3/8in-16NC x 1-1/4in	
217	0902740	1	Bracket, Engine Mounting (Right Side)	
218	0903063	1	Plate, Engine, Mounting	
219	0962172	1	Bushing, Flanged	
220	1320016	4	Clamp, Hose	
221	1320022	1	Clamp, Hose	
222		1	J-Clip	
	1320223		SN 0300077682 to SN 0300085617	
	1320222		SN 0300085617 to SN 0300092802	
	1320223		SN 0300092802 to SN 0300096000	
223	1340060	1	Air Cleaner Assembly Including Filter Element	
	7012664	1	Element, Filter (Not Shown)	
224	1703162	2	Decal - Caution Fan Blade	
225		1	Engine, Deutz - F3M2011 Options:	
	2000217		SN 0300077682 to SN 0300085617	
	2000273		SN 0300085617 to SN 0300092802	
	2000338		SN 0300092802 to SN 0300096000	
226	2060025	1	Fan	
227		AR	Fitting Options:	
	2180798	1	SN 0300077682 to SN 0300085617 (Fitting)	
	4360392	1	SN 0300077682 to SN 0300085617 (Indicator, Restriction)	
	2200221	1	SN 0300085617 to SN 0300096000 (Plug)	
228	2220451	2	Fitting, Straight	
229	2720398	2	Hose, Oil Cooler	
230	2720434	1	Elbow, Rubber	
231	2720449	1	Hose, Air Cleaner	
232	2750532	1ft/30cm	Hose, Oil Drain	
233	3200406	4	Mount, Motor	
234		1	Muffler Options:	
	3220110		Standard	
	3220112		Catalytic	
	1320176	1	Clamp	
235	3311405	8	Locknut 1/4in-20NC	
236	3311505	6	Locknut 5/16in-18NC	
237	3311605	20	Locknut 3/8in-16NC	
238	3311805	4	Locknut 1/2in-13NC	
239	3340399	2	Pad, Wear	
240	3570808	1	Plate, Relay Mounting	
241	3571692	1	Plate, Radiator Mounting	
242	3573667	1	Support, Radiator	

SECTION 2 TURNTABLE

**FIGURE 2-11. DEUTZ ENGINE INSTALLATION (SN 0300077682 TO SN 0300096000)
(CONTINUED)**

ITEM #	PART NUMBER	QTY.	DESCRIPTION	REV.
243	Use 3600423	1	Auxiliary Pump Assembly (was p/n 3600279) (See AUXILIARY PUMP ASSEMBLY for Breakdown)	
244	3620033	1	Radiator	
245	3740067	AR	Relay Options:	
		2	SN 0300077682 to SN 0300092802	
		3	SN 0300092802 to SN 0300096000	
246	3960407	1	Gasket, Air Intake	
247	4070497	4	Shim (11 Ga.)	
248	4070498	2	Shim (16 Ga.)	
249	4567495	1	Tube, Tee	
250	4640751	1	Valve, Oil Drain	
251	4812200	6	Flatwasher 14mm	
252	4740274	4	Washer, Snubbing	
253	4751400	12	Flatwasher 1/4in Regular	
254	4751500	5	Flatwasher 5/16in Regular	
255	4751600	44	Flatwasher 3/8in Regular	
256	4751800	4	Flatwasher 1/2in Regular	
257	4791600	2	Starwasher 3/8in	
258	4845395	1	Plate, Adapter	
259	4846567	1	Bracket, Engine Mounting (Left Side)	
260		1	Tray Options:	
	4846080		SN 0300077682 to SN 0300082440	
	4846809		SN 0300082440 to SN 0300096000	
261	0641510	AR	Bolt 5/16in-18NC x 1-1/4in	
	0641608	AR	Bolt 3/8in-16NC x 1in	
262	4791400	6	Starwasher 1/4in	
263	1060904	1	Cable, Jumper (SN 0300092802 to SN 0300096000 Only)	
264	4923451	1	Harness, Glow Plug (SN 0300092802 to SN 0300096000 Only)	
	0256847	Ref	PUMP COUPLING INSTALLATION	2
301	1660234	1	Coupling, Hayes	
302	0080163	1	Plate, Pump Adapter	
303	0700810	63	Bolt Metric 8mm x 20mm	
304	4831900	6	Lockwasher 8mm	
305	Not Used			
306	4832000	8	Lockwasher 10mm (SN 0300077682 to SN 0300085025 Only)	
307	3020021	AR	Grease, Coupling	
		Ref	ENGINE COMPONENTS	
	2000217	Ref	SN 0300077682 to SN 0300085617	
	2000273	Ref	SN 0300085617 to SN 0300092802	B
	2000338	Ref	SN 0300092802 to SN 0300096000	B
401	7020026	1	Dipstick	
	70001002	1	Housing, Dipstick	
402	7020465	2	Cap, Filler	
403	7020495	1	Pump, Oil Lube	
	7020468	1	Seal Between Oil Pump & Engine Block (Not Shown)	

SECTION 2 TURNTABLE

FIGURE 2-11. DEUTZ ENGINE INSTALLATION (SN 0300077682 TO SN 0300096000)
(CONTINUED)

ITEM #	PART NUMBER	QTY.	DESCRIPTION	REV.
404	7016331	1	Filter, Oil	
	7027236	1	Sensor, Oil Temperature (Not Shown - Located in Rear Of Filter Mount)	
405		3	Pump, Injector Options:	
	7027246		Series A Pump	
	7027608		Series B Pump	
	7027609		Series C Pump	
	7027610		Series D Pump	
	7020447	3	Gasket, Injector Pump	
406	7020023	1	Filter, Fuel	
	70001423	1	Bracket, Fuel Filter	
407	Use 70000916	1	Pump Fuel Supply (was p/n 7027238)	
	7020411	1	O-Seal Between Fuel Pump & Engine Block (Not Shown)	
408	7020449	3	Gasket, Intake Manifold (Not Shown)	
	7020471	3	Gasket, Exhaust Manifold (Not Shown)	
409	7020408	1	V-Belt	
410	7027795	1	Control, EMR2 (2000273/2000338 Engine Only)	
	7027793	1	Connector, EMR2 Control (2000273/2000338 Engine Only)	
	7027796	1	Harness, EMR2 Control (2000273/2000338 Engine Only)	
411	Use 7000663	1	Alternator (was p/n 7020410)	
	7020464		Regulator, Voltage (Not Shown)	
412	7020479	1	Starter	
	7026608	1	Relay, Starter	
413	7027769	1	Radiator Connector Kit	
414		1	Sender, Oil Temperature Options (Not Shown):	
	7027241		2000217 Engine Only	
	7027791		2000273/2000338 Engine Only	
415		1	Sensor, Oil Pressure Options:	
	7020461		2000217 Engine Only	
	7027790		2000273/2000338 Engine Only	
416	7024565	1	Sensor, Speed (Not Shown)	
	70003932	1	Spacer, Sleeve (Not Shown)	
417		1	Actuator, Throttle Options:	
	7020458		2000217 Engine Only	
	7027792		2000273/2000338 Engine Only	
	7027276	2	Spring for Actuators	
418	7020459	1	Thermostat	
	7020460	1	Spring, Compression	
419	See Note	1	Flywheel (Not Shown) (Note: Not Available for Purchase)	
	7024579	1	Rim, Gear (Not Shown)	
420	7027245	1	Filter, Fuel	
421	7027239	1	Solenoid, Start (Not Shown - Located near Throttle Actuator)	
422		1	Engine Harness Options:	
	See Note		2000217 Engine Only (Note: Not Available for Purchase)	
	7027794		2000273/2000338 Engine Only	
423	70000345	3	Plug, Glow (Deutz Factory Installed - Not Shown) (2000338 Engine Only)	
424	7020169	1	Pipe, Exhaust Pipe	
425	1320176	1	Clamp, Exhaust	

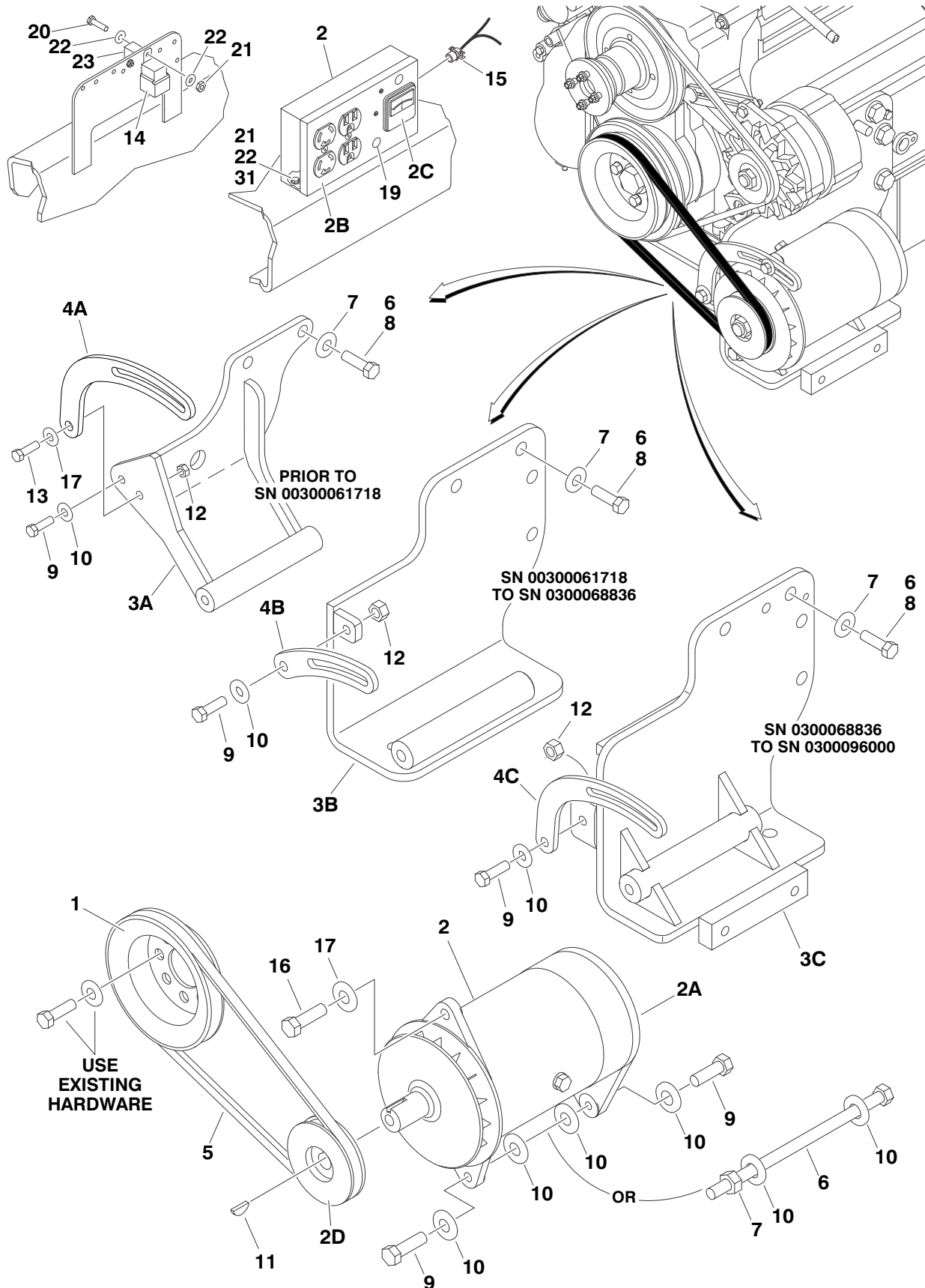
SECTION 2 TURNTABLE

**FIGURE 2-11. DEUTZ ENGINE INSTALLATION (SN 0300077682 TO SN 0300096000)
(CONTINUED)**

ITEM #	PART NUMBER	QTY.	DESCRIPTION	REV.
426	70003479 70003480 70003481	1	Gasket, Head Options (Not Shown): Gasket - 1 Notch Gasket - 2 Notch Gasket - 3 Notch	
427	70001181	1	Valve, Oil Pressure Relief (Not Shown)	

SECTION 2 TURNTABLE

FIGURE 2-12. GENERATOR INSTALLATION - DEUTZ MACHINES (OPTIONAL)



SECTION 2 TURNTABLE

FIGURE 2-12. GENERATOR INSTALLATION - DEUTZ MACHINES (OPTIONAL)

ITEM #	PART NUMBER	QTY.	DESCRIPTION	REV.
		Ref	GENERATOR INSTALLATION OPTIONS:	
	0270498	Ref	110V Generator (Prior to SN 0300064404)	3/A
	0271346	Ref	110V Generator (SN 0300064404 to SN 0300064509)	3/C
	0272009	Ref	110V Generator (SN 0300064509 to SN 0300068836)	3/B
	0272614	Ref	110V Generator (SN 0300068836 to SN 0300082708)	4/C
	0274079	Ref	110V Generator (SN 0300082708 to SN 0300096000)	1/A
	0270499	Ref	220V Generator (Prior to SN 0300064404)	3/A
	0271347	Ref	220V Generator (SN 0300064404 to SN 0300064509)	3/C
	0272010	Ref	220V Generator (SN 0300064509 to SN 0300068836)	4/B
	0272615	Ref	220V Generator (SN 0300068836 to SN 0300082708)	2/B
	0274085	Ref	220V Generator (SN 0300082708 to SN 0300096000)	1/A
		Ref	Note: Refer to Sky Power Accessories Manual p/n 3124242 for the Miller 7500W Generator.	
		Ref	Note: No Aftermarket Installation Kit Available. Use Items with (*) for 110V Generator or (^) for 220V Generator.	
1	3580158 [^]	1	Pulley	
2		1	Generator and Control Box Assembly Options:	
	2460011		110Volt Assembly (Prior to SN 0300064509)	
	2460032		110Volt Assembly (SN 0300064509 to SN 0300082708)	
	2460055*		110Volt Assembly (SN 0300082708 to SN 0300096000)	
	2460013		220Volt Assembly (Prior to SN 0300066060)	
	2460034		220Volt Assembly (SN 0300066060 to SN 0300066686)	
	2460013 [^]		220Volt Assembly (SN 0300066686 to SN 0300096000)	
2A	7012558	1	Generator Only - 110V	
	1001100321	1	Generator Only - 220V	
		Ref	Note: Replacement Generators come standard with p/n 3580134 pulley. This pulley may not be correct for all applications. Refer to pulley options below.	
		1	Armature with Slip Rings Options:	
	7026199		Armature with Slip Rings - 110V	
	70000123		Armature with Slip Rings - 220V	
	7012513	4	Cap, Brush Holder	
	7020108	4	Brush	
	7020109	4	Holder, Brush	
	7012514	1	Fan	
	7020110	1	Bell, Front	
	7020111	1	Bell, Rear	
	7020190	2	Bearing	
	7020193	1	Cord, Power	
2B	7003657	1	Box, Control - 110V (Prior to SN 0300082708)	
	7019680	1	Box, Control - 110V (SN 0300082708 to SN 0300096000)	
	70002235	1	Box, Control - 220V	
		AR	Receptacle Options:	
	4460190	1	Receptacle, Standard (110V Only)	
	4460027	1	Receptacle, Twistlock (110V Only)	
	70000124	1	Receptacle, Double (220V/50Hz Only)	
	70000125	1	Receptacle, Single (220V/50Hz Only)	
		1	Breaker, Circuit Options:	
	4360542		Breaker 110V	

SECTION 2 TURNTABLE

FIGURE 2-12. GENERATOR INSTALLATION - DEUTZ MACHINES (OPTIONAL) (CONTINUED)

ITEM #	PART NUMBER	QTY.	DESCRIPTION	REV.
2B (cont'd)	70000126		Breaker 220V/50Hz	
	3520028	1	Plug, Hole	
	2920162	1	Lamp Assembly (Not Required on 2460055 Generator Assembly)	
	7020191	1	Switch, Toggle (Not Required on 2460055 Generator Assembly)	
2C		1	Voltmeter Options:	
	2420203		Voltmeter - 110V	
	7020192		Voltmeter - 220V	
2D		1	Pulley Options:	
	3580134		Pulley 110V (Prior to SN 0300064509)	
	3580276		Pulley 110V (SN 0300064509 to SN 0300096000)	
	3580134		Pulley 220V (Prior to SN 0300066060)	
	3580276		Pulley 220V (SN 0300066060 to SN 0300066686)	
	3580134		Pulley 220V (SN 0300066686 to SN 0300096000)	
	7027887	1	Key, Woodruff	
3		1	Bracket, Generator Mounting Options:	
3A	4845531		Prior to SN 0300064404	
3B	4846478		SN 0300064404 to SN 0300068836 (Part of Engine Assembly)	
3C	4846567*^		SN 0300068836 to SN 0300096000 (Part of Engine Assembly)	
4		1	Arm, Adjusting Options:	
4A	0200530		Prior to SN 0300064404	
4B	0200741		SN 0300064404 to SN 0300068836	
4C	0200742*^		SN 0300068836 to SN 0300096000	
5		1	V-Belt Options:	
	0480118		Prior to SN 0300064509	
	0480120*^		SN 0300064509 to SN 0300096000	
6		AR	Bolt Options:	
	0701414	2	Bolt, Metric 14mm x 30mm (Prior to SN 0300064509)	
	0641772*^	1	Bolt 7/16in-14NC x 9in (SN03000 64509 to SN 0300096000)	
7		AR	Hardware Options:	
	4751900	2	Flatwasher 9/16in Regular (Prior to SN 0300064509)	
	3311705*^	1	Locknut 7/16in-14NC (SN 0300064509 to SN 0300096000)	
8	0100011	AR	Compound, Locking	
9		AR	Bolt Options:	
	0681612	3	Bolt 3/8in-16NC x 1-1/2in (Grade 8) (Prior to SN 0300064509)	
	0641610*^	1	Bolt 3/8in-16NC x 1-1/4in (SN 0300064509 to SN 0300096000)	
10	4751600*^	6	Flatwasher 3/8in Regular	
11	2860012*^	1	Key, Woodruff	
12	3311605*^	1	Locknut 3/8in-16NC	
13	0700819	1	Bolt, Metric 8mm x 55mm (Prior to SN 0300064509)	
14	3740080*^	1	Relay	
15	4460023*^	1	Connector, Strain Relief	
16	0641508*^	1	Bolt 5/16in-18NC x 1in	
17	4751500*^	2	Flatwasher 5/16in Regular	
18	Not Used			

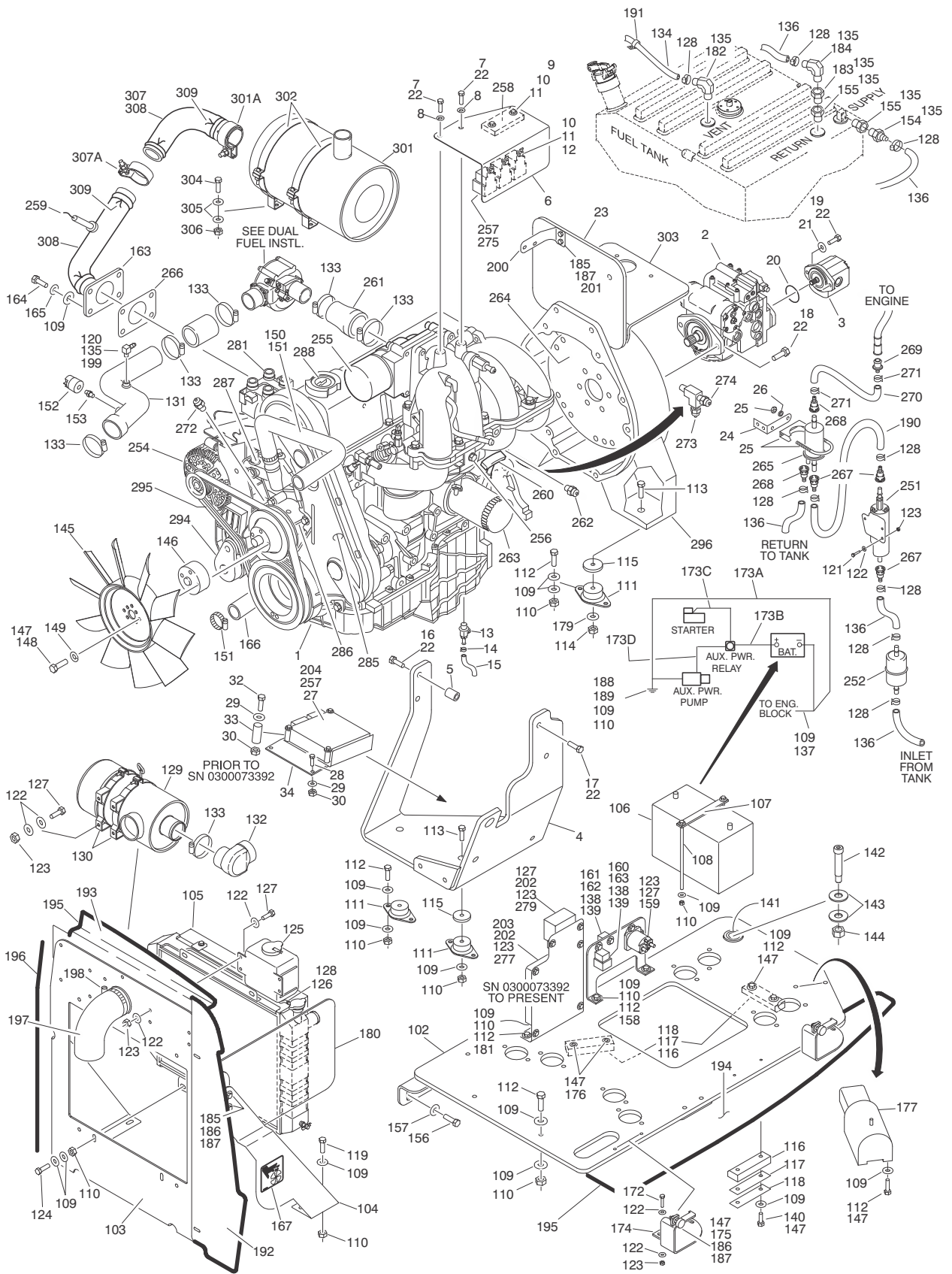
SECTION 2 TURNTABLE

FIGURE 2-12. GENERATOR INSTALLATION - DEUTZ MACHINES (OPTIONAL) (CONTINUED)

ITEM #	PART NUMBER	QTY.	DESCRIPTION	REV.
19	3520028*^	1	Plug, Hole	
20	0721006*^	AR	Bolt #10-24NC x 3/4in	
21	3311005*^	AR	Locknut #10-24NC	
22	4751000*^	AR	Flatwasher #10 Regular	
23	4360294*^	1	Breaker, Circuit - 30 Amp	
24	Not Used			
25	4360336*^	1	Switch, Toggle - SPST (Not Shown - Located at Platform)	
26	4740397*^	1	Washer (Not Shown - Located at Platform)	
27	4060802*^	1	Guard, Switch (Not Shown - Located at Platform)	
28	Not Used			
29	2820031	1	Heatshrink (Not Shown - Located at Platform)	
30	3251102*^	1	Decal (Not Shown - Located at Platform)	
31	0721008*^	2	Bolt #10-24NC x 1in	

SECTION 2 TURNTABLE

FIGURE 2-13. FORD ENGINE INSTALLATION (PRIOR TO SN 0300078473)



SECTION 2 TURNTABLE

FIGURE 2-13. FORD ENGINE INSTALLATION (PRIOR TO SN 0300078473)

ITEM #	PART NUMBER	QTY.	DESCRIPTION	REV.
		Ref	ENGINE ASSEMBLIES	
	0259751	Ref	Standard Gas Machines without ADE System	10/D
	0271248	Ref	Standard Gas Machines with ADE System	4/C
	0259750	Ref	Dual Fuel Machines without ADE System	10/D
	0271247	Ref	Dual Fuel Machines with ADE System (Prior to SN 0300073403)	4/C
	0272885	Ref	Dual Fuel Machines with ADE System (SN 0300073403 to SN 0300078473)	3/B
1		1	Engine - Ford LRG-425 Options: 2000164 Standard Gas Machines without ADE System 2000172 Standard Gas Machines with ADE System 2000166 Dual Fuel Machines without ADE System 2000174 Dual Fuel Machines with ADE System (Prior to SN 0300073403) 2000193 Dual Fuel Machines with ADE System (SN 0300073403 to SN 0300078473)	
2		1	Piston Pump Assembly Options (See PISTON PUMP ASSEMBLY for Breakdown): 3600296 Prior to SN 0300073424 3600385 SN 0300073424 to SN 0300078473	
3		1	Gear Pump Assembly Options: 3600297 Prior to SN 0300070763 (See GEAR PUMP ASSEMBLY for Breakdown) 3600368 SN 0300070763 to SN 0300078473 (No Service Parts Available)	
4		1	Plate, Engine Mounting - Front Options: 3539972 Prior to SN 0300073403 (Not Shown) 4846806 SN 0300073403 to SN 0300078473	
5	4566605	1	Tube, Spacer	
6	3571498	1	Plate, Module Mounting	
7	0700810	2	Bolt, Metric 8mm -1.25 x 20mm	
8	4751500	2	Flatwasher 5/16in Regular	
9	0721010	2	Bolt #10-24NC x 1-1/4in	
10	3311005	5	Locknut #10-24NC	
11	4751000	8	Flatwasher #10 Regular	
12	0721006	3	Bolt #10-24NC x 3/4in	
13	4640989	1	Valve, Oil Drain	
14	2750532	1ft/30.5cm	Hose	
15	1320022	AR	Clamp	
16	0701022	2	Bolt, Metric 10mm-1.5 x 70mm	
17	0701014	2	Bolt, Metric 10mm-1.5 x 30mm	
18	0641812	2	Bolt 1/2in-13NC x 1-1/2in	
19	0641608	2	Bolt 3/8in-16NC x 1in	
20	3790152	1	O-Ring	
21	4891600	2	Flatwasher 3/8in Hardened	
22	0100011	AR	Compound, Locking	
23	3571502	1	Plate, Heat Shield	
24	0902539	1	Bracket, Fuel Filter/Pressure Regulator	
25	1320019	AR	Clamp, Exhaust	

SECTION 2 TURNTABLE

FIGURE 2-13. FORD ENGINE INSTALLATION (PRIOR TO SN 0300078473) (CONTINUED)

ITEM #	PART NUMBER	QTY.	DESCRIPTION	REV.
26	4761500	2	Lockwasher 5/16in	
27		1	ECM/EPM Controller Options:	
	1600298		Prior to SN 0300064122	
	1600328		SN 0300064122 to SN 0300064488	
	1600314		SN 0300064488 to SN 0300073403	
	See Note		SN 0300073403 to SN 0300078473 (Note: Now Supplied with Engine - See Item 277)	
28	0641408	2	Bolt 1/4in-20NC x 1in	
29	4751400	6	Flatwasher 1/4in Regular	
30	3311405	6	Locknut 1/4in-20NC	
31	1320060	1	Clamp, Hose (Not Shown)	
32	0641422	4	Bolt 1/4in-20NC x 2-3/4in	
33	4568158	4	Standoff, ECM (Prior to SN 0300073403 Only)	
34	3572600	1	Plate, ECM Mounting (Prior to SN 0300073403 Only)	
		Ref	ENGINE INSTALLATIONS	
	0259140	Ref	Standard Gas Machines without ADE System	7/F
	0271244	Ref	Standard Gas Machines with ADE System	3/C
	0259137	Ref	Dual Fuel Machines without ADE System	7/F
	0271246	Ref	Dual Fuel Machines with ADE System Prior to SN 0300073403	3/C
	0272886	Ref	Dual Fuel Machines with ADE System SN 0300073403 to SN 0300078473	5/D
101	Not Used			
102		1	Tray Weldment Options:	
	4846080		Prior to SN 0300073403	
	4846809		SN 0300073403 to SN 0300078473	
103	3571692	1	Mount, Radiator	
104		1	Support, Radiator - Left Side Options:	
	3570607		Prior to SN 0300078439	
	3570667		SN 0300078439 to SN 0300078473	
105	3620040	1	Radiator	
	Use 8180311	1	Cap, Radiator (was p/n 7019656)	
106		1	Battery Options:	
	0400075		Battery (Wet)	
	7016180		Battery (Dry)	
107		1	Battery Tie-Down Options:	
	0362870		Prior to SN 0300054188	
	0361810		SN 0300054188 to SN 0300078473	
108	0630541	2	Bolt, Tie-Down	
109	4751600	53	Flatwasher 3/8in Regular	
110	3311605	25	Locknut 3/8in-16NC	
111	3200378	4	Mount, Rubber	
112	0641610	20	Bolt 3/8in-16NC x 1-1/4in	
113	0641820	4	Bolt 1/2in-13NC x 2-1/2in	
114	3311805	4	Locknut 1/2in-13NC	
115	4740274	4	Washer, Snubbing	
116	3340399	3	Pad, Wear	
117	4070497	6	Shim 1/8in	

SECTION 2 TURNTABLE

FIGURE 2-13. FORD ENGINE INSTALLATION (PRIOR TO SN 0300078473) (CONTINUED)

ITEM #	PART NUMBER	QTY.	DESCRIPTION	REV.
118	4070498	3	Shim 1/16in	
119	0641612	2	Bolt 3/8in-16NC x 1-1/2in	
120	2180467	1	Fitting, Barbed Elbow	
121	0641412	3	Bolt 1/4in-20NC x 1-3/4in	
122	4751400	AR	Flatwasher 1/4in Regular	
123	3311405	29	Locknut 1/4in-20NC	
124	0641609	AR	Bolt 3/8in-16NC x 1-1/8in	
125	1580011	1	Tank, Coolant Recovery	
126	2720058	2ft/51cm	Hose, Coolant Recovery	
127	0641406	AR	Bolt 1/4in-20NC x 3/4in	
128	1320022	9	Clamp	
129	1340060	1	Air Cleaner Assembly	
	7012664	1	Element, Air Cleaner	
130	0340041	2	Band, Air Cleaner	
131		1	Tube, Air Intake Options:	
	4846011		Standard Gas Machines	
	4846046		Dual Fuel Machines	
132	0080201	1	Elbow, Rubber	
133	1320016	2	Clamp	
134	2750532	6ft/1.8m	Hose	
135	0100020	AR	Sealant, Pipe	
136	2720058	9.5ft/2.9m	Hose, Fuel Line	
137	0701010	1	Bolt, Metric 10mm x 20mm	
138	4751000	4	Flatwasher #10 Regular	
139	3311005	3	Locknut #10-24NC	
140	0641614	2	Bolt 3/8in-16NC x 1-3/4in	
141	0962172	1	Bushing, Flanged	
142	3900255	1	Screw, Shoulder 3/4in x 3in	
143	4752200	2	Flatwasher 3/4in Regular	
144	3312005	1	Locknut 5/8in-11NC	
145	2060025	1	Fan	
146	0080214	1	Spacer, Fan	
147	0100011	AR	Compound, Locking	
148	0700819	4	Bolt, Metric 8mm x 55mm	
149	4831900	4	Lockwasher, Metric 8mm	
150	2720436	1	Hose, Radiator - Top	
151	1320012	4	Clamp, Hose	
152	4360392	1	Indicator, Clogged Filter	
153	2180798	1	Fitting, Restrictor Indicator	
154	2220794	1	Fitting, Barbed	
155	2220273	1	Fitting, Reducer	
156	0642010	1	Bolt 5/8in-11NC x 1-1/4in	
157	4752000	1	Flatwasher 5/8in Regular	
158	3570808	1	Plate, Relay Mounting	
159	3740067	1	Relay (Auxiliary Power)	
160	3740080	1	Relay, Bosch	
161	4360294	1	Breaker, Circuit (Prior to SN 0300073403)	
162	0721004	2	Bolt #10-24NC x 1/2in	
163	4567878	1	Tube, Exhaust	

SECTION 2 TURNTABLE

FIGURE 2-13. FORD ENGINE INSTALLATION (PRIOR TO SN 0300078473) (CONTINUED)

ITEM #	PART NUMBER	QTY.	DESCRIPTION	REV.
164	0701012	4	Bolt, Metric 10mm-1.5 x 25mm	
165	4832000	4	Lockwasher, Metric 10mm	
166	2720435	1	Hose, Radiator - Bottom	
167	1703162	2	Decal - Fan Blade	
168 to 169	Not Used			
170	1701542	1	Decal - Gas (Not Shown - Located on Hood)	
171	Not Used			
172	0641410	4	Bolt 1/4in-20NC x 1-1/4in	
173	2901879	1	Battery Cable Kit	C
173A	7016833	1	Cable (Battery - to Ground)	
173B	7016817	1	Cable (Battery + to Auxiliary Relay)	
173C	7016820	1	Cable (Auxiliary Relay to Starter)	
173D	7016808	1	Cable (Auxiliary Relay to Auxiliary Pump)	
174	4846096	2	Bracket, Hood Latch	
175	0940049	2	Bumper, Hood	
176	0741610	2	Screw, Socket Head Countersunk 3/8in-16NC x 1-1/4in	
177	Use 3600423	1	Auxiliary Pump Assembly (was p/n 3600279) (See AUXILIARY PUMP ASSEMBLY for Breakdown)	
178	2200222	1	Plug, Pipe (Not Shown - Located at bottom of Fuel Tank)	
179	4751800	4	Flatwasher 1/2in Regular	
180	3571019	1	Plate, Air Panel	
181	3574496	1	Plate, EPM/Relay Mounting (SN 0300073403 to SN 0300078473 Only)	
182	2220313	1	Fitting, Barbed	
183	2220250	1	Fitting, Reducer	
184	2220805	1	Fitting, Elbow Barbed	
185	0641506	2	Bolt 5/16in-18NC x 3/4in	
186	4751500	8	Flatwasher 5/16in Regular	
187	3311505	8	Locknut 5/16in-18NC	
188	0641616	1	Bolt 3/8in-16NC x 2in	
189	4791600	1	Starwasher 3/8in	
190	2720474	1	Hose, High Pressure Fuel Line	
191	1320223	1	Clamp, Hose	
192	3572502	1	Plate, Air Flow Side	
193	3572503	1	Plate, Air Flow Top	
194	3572504	1	Plate, Air Flow Bottom	
195	3960389	9.8ft/3m	Seal	
196	3960469	1	Seal	
197	0080234	1	Adaptor, Rubber Elbow (Prior to SN 0300074819)	
198	1320058	1	Clamp, Hose (Prior to SN 0300074819)	
199	1320032	1	Clamp, Hose	
200	0902724	1	Bracket, LP Mounting	
201	4711500	4	Flatwasher 5/16in Thin	
202	4711400	8	Flatwasher 1/4in Thin	
203	0641414	4	Bolt 1/4in-20NC x 1-3/4in	
204	0100048	AR	Grease, Dielectric	

SECTION 2 TURNTABLE

FIGURE 2-13. FORD ENGINE INSTALLATION (PRIOR TO SN 0300078473) (CONTINUED)

ITEM #	PART NUMBER	QTY.	DESCRIPTION	REV.
		Ref	ENGINE COMPONENTS	
	2000164/2000166	Ref	Machines without ADE System	
	2000172/2000174	Ref	Machines with ADE System Prior to SN 0300073403	
	2000193	Ref	Machines with ADE System SN 0300073403 to SN 0300078473	
251	Use 3600377	1	Fuel Pump & Isolator Assembly (was p/n 7022133)	
	7022134	1	Harness, Fuel Pump Wiring	
252	Use 91083218	1	Filter, Fuel (was p/n 7022135)	
253	7019986	1	Starter (Not Shown)	
254	7019977	1	Alternator with Pulley & Regulator	
	7000897	1	Alternator without Pulley & Regulator	
255	7022136	1	Actuator, Throttle (2000164/2000166 Engines)	
	7023655	1	Actuator, Throttle (2000172/2000174 Engines)	
	7023683	1	Actuator, Throttle (2000193 Engines)	
	7023652	1	Plate, Actuator Adapter (2000172/2000174 Engines)	
	7023654	1	Gasket, Actuator to Adapter Plate (2000172/2000174 Engines)	
	7023653	2	Bolt (Adapter Plate to Intake Manifold)(2000172/2000174 Engines)	
	7023656	4	Bolt (Actuator to Adapter Plate) (2000172/2000174 Engines)	
256	7019996	1	Sensor, Air Temperature	
257	Use 7023663	1	Harness, ECM (2000164/2000166 Engines) (was p/n 7022137)	
	7023663	1	Harness, ECM (2000172/2000174 Engines)	
	7023681	1	Harness, EPM (2000193 Engines)	
258	7022139	1	Sensor, MAP	
259	7019994	1	Sensor, EGR	
260	Use 2420187	1	Dipstick (was p/n 7022140)	
	4564281	1	Tube, Dipstick	
261		1	Horn, Rubber Air Options:	
	2720341		2000164/2000166/2000193 Engines	
	7023658		2000172/2000174 Engines	
262	7023637	1	Switch, Oil Pressure	
263	7021868	1	Filter, Oil (Was p/n 7022147, 7022173 & 7014501)	
264	Use 1660250	1	Coupling, Pump (was p/n 7016662)	
265	7019993	1	Pressure Regulator & Filter Assembly	
266	7022143	1	Gasket, Exhaust Manifold to Head (Not Shown)	
	70002307	1	Gasket, Exhaust Manifold to Pipe (4 Bolt) (Not Shown)	
267	7022158	3	Connector	
268	7022159	2	Connector	
269	7022160	1	Connector	
270	7022161	2	Tube, Supply	
271	7022162	2	Clamp	
272	7022178	1	Sensor, Crank	
	7022179	1	Sensor, Camshaft (Not Shown)	
273	7022142	1	Switch, Pressure (Black) (2000164/2000166 Engines Only)	
274	7023637	1	Switch, Shutdown (White) (2000164/2000166 Engines Only)	

SECTION 2 TURNTABLE

FIGURE 2-13. FORD ENGINE INSTALLATION (PRIOR TO SN 0300078473) (CONTINUED)

ITEM #	PART NUMBER	QTY.	DESCRIPTION	REV.
275		3	Relay Options:	
	7023613		2000164/2000166/2000174 Engines	
	7023695		2000193 Engines	
276	7023644	1	Hose, Water Pump (By-Pass) (Not Shown)	
277	1600363	1	ECM Module (2000193 Engines Only)	
278	7023682	1	Oxygen Sensor (2000193 Engines Only) (Not Shown)	
279	See Note	1	Power Distribution Box (2000193 Engines Only) (Note: Not Available for Purchase)	
280	7019925	1	PCV Valve (Not Shown)	
281	7022157	1	Wire Set - Spark Plug	
	7019932	4	Spark Plug (Not Shown)	
282	7019976	1	Flywheel (Not Shown)	
	7022180	1	Gear, Ring (Not Shown)	
283	Use 7025124	1	Gasket Kit - Upper (Not Shown) (was p/n 7022148)	
284	7022149	1	Gasket Kit - Lower (Not Shown)	
285	7022150	1	Belt, Timing	
286	7022153	1	Pump, Water	
	7022154	1	Gasket, Water Pump	
287	7022155	1	Sensor, Water Temperature	
	7022156	1	Thermostat, Water Temperature (Not Shown)	
288	7022151	1	Cap, Oil Filler	
289	7019930	1	Coil, Ignition (Not Shown) (2000164/2000166 Engines)	
290	7022144	1	Gasket, Upper Manifold Throttle (Not Shown)	
291	7022164	1	Switch, High Coolant Temperature (Not Shown) (2000164/2000166 Engines)	
292	7025134	1	Gasket, Water Outlet (Not Shown)	
293	7023657	1	Harness, TPS Harness (Not Shown)	
294	70002567	1	Tensioner, Timing Belt	
295	Use 7027402	1	Belt, Drive (was p/n 7019979)	
296	7020120	1	Housing, Bell (2000166 Engine Only)	
	3124114	1	----- Service Manual, Ford EFI System Diagnostic	
		Ref	MUFFLER INSTALLATIONS	
	0258252	Ref	Standard Spark Arresting	2
	0258253	Ref	Optional Catalytic	3
301		1	Muffler Options:	
	3220113		Standard Spark Arresting	
	3220114		Optional Catalytic	
301A	70001017		Clamp	
302	0340046	2	Band	
303	0902457	1	Bracket, Muffler	
304	0641507	4	Bolt 5/16in-18NC x 7/8in	
305	4711500	8	Flatwasher 5/16in Thin	
306	3311505	4	Locknut 5/16in-18NC	
307	4567073	1	Tube, Exhaust	
307A	70001017		Clamp	
308	4100025	21in/53cm	Sleeve, Fiberglass	
309	4920385	16in/41cm	Wire, Mechanics	

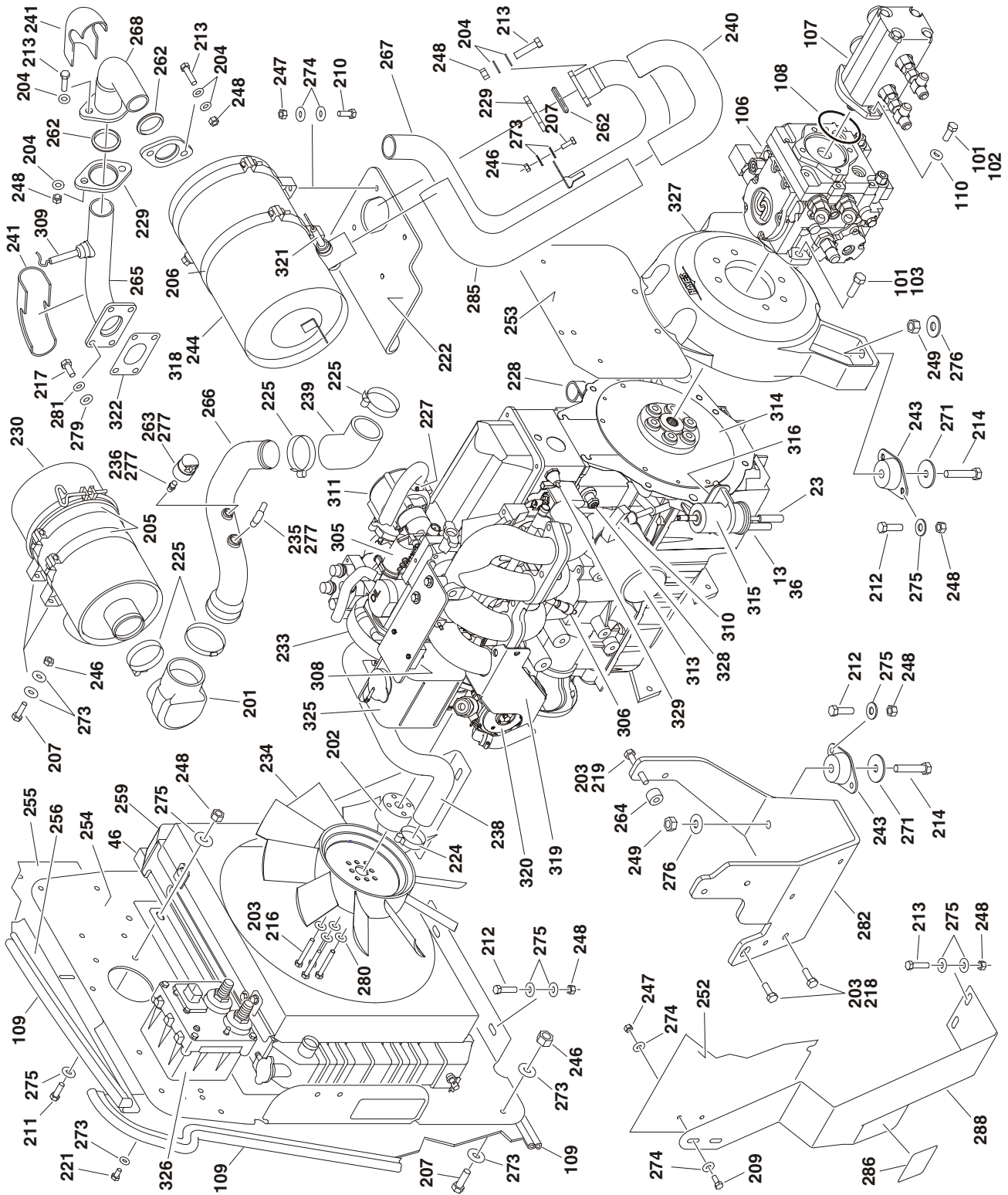
SECTION 2 TURNTABLE

FIGURE 2-13. FORD ENGINE INSTALLATION (PRIOR TO SN 0300078473) (CONTINUED)

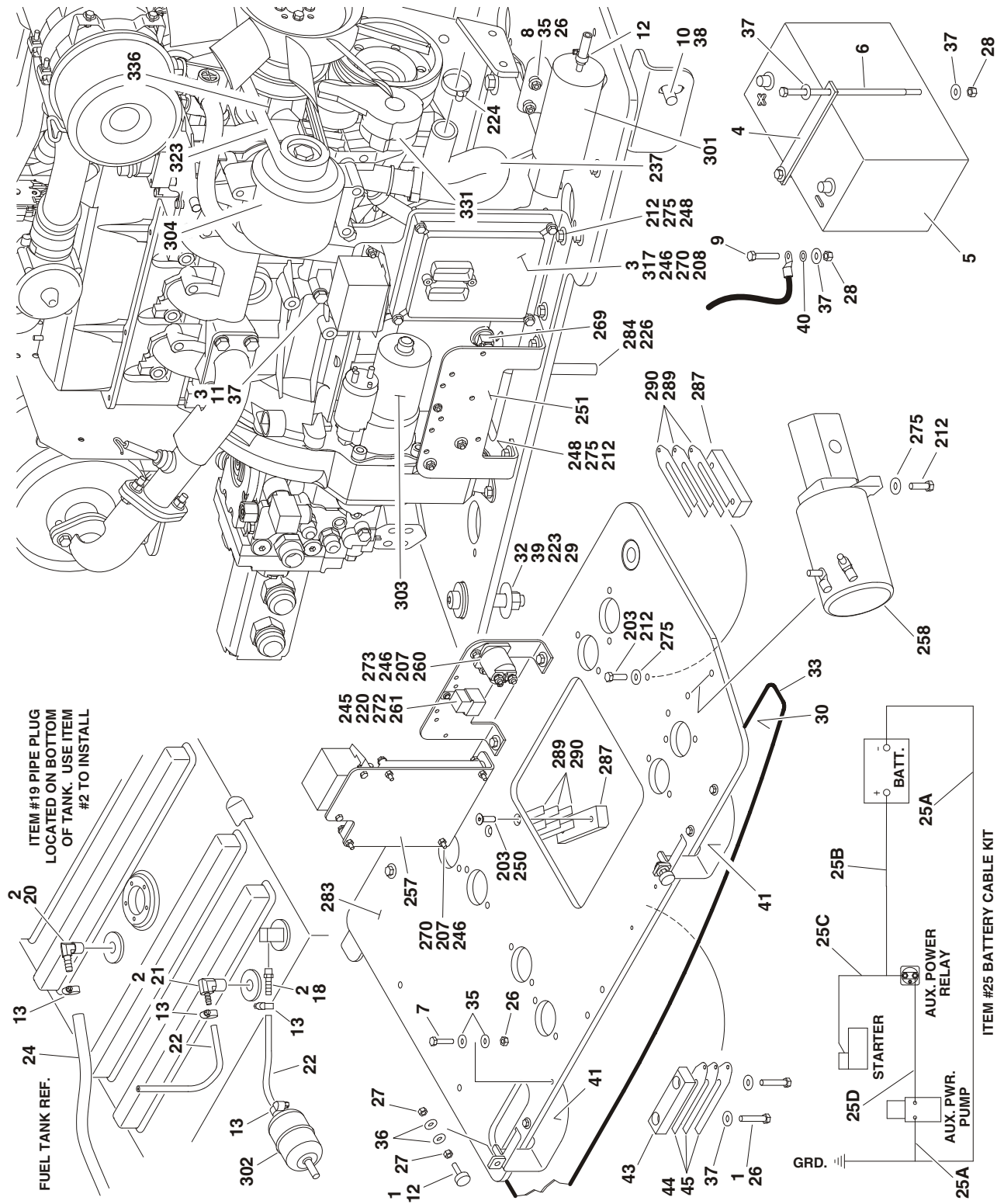
ITEM #	PART NUMBER	QTY.	DESCRIPTION	REV.

SECTION 2 TURNTABLE

FIGURE 2-14. FORD ENGINE INSTALLATION (SN 0300078473 to SN 0300096000)



SECTION 2 TURNTABLE



SECTION 2 TURNTABLE

FIGURE 2-14. FORD ENGINE INSTALLATION (SN 0300078473 TO SN 0300096000)

ITEM #	PART NUMBER	QTY.	DESCRIPTION	REV.
		Ref	FORD ENGINE INSTALLATIONS:	
	0274015	Ref	SN 0300078473 to SN 0300086916	D
	0274603	Ref	SN 0300086916 to SN 0300096000	C
1	0100011	AR	Compound, Locking	
2	0100020	AR	Sealant, Pipe	
3	0100048	AR	Grease, Dielectric	
4	0361810	1	Bar, Battery Hold Down	
5		1	Battery Options:	
	0400075		Battery (Wet)	
	7016180		Battery (Dry)	
6	0630541	2	Bolt, Tie-Down	
7	0641410	4	Bolt 1/4in-20NC x 1-1/4in	
8	0641412	AR	Bolt 1/4in-20NC x 1-1/2in	
9	0641616	3	Bolt 3/8in-16NC x 2in	
10	0642010	1	Bolt 5/8in-11NC x 1-1/4in	
11	0701010	1	Bolt, Metric 10mm x 20mm	
12	0940049	2	Bumper, Hood	
13	1320022	7	Clamp	
14	1320023	1	J-Clip (Not Shown)	
15	1701542	1	Decal - Gas (Not Shown - Located on Hood)	
16	1701543	1	Decal - LPG (Not Shown - Located on Hood)	
17	Not Used			
18	2180348	1	Fitting, Barbed	
19	2200222	1	Plug, Pipe	
20	2220313	1	Fitting, Barbed	
21	2221176	1	Fitting, Elbow Barbed	
22	2720058	14ft/4m	Hose	
23	2720474	1	Hose	
24	2750532	6ft/1.8m	Hose	
25	2901879	1	Battery Cable Kit	C
25A	7016833	1	Cable (Battery - to Ground)	
25B	7016817	1	Cable (Battery + to Auxiliary Relay)	
25C	7016820	1	Cable (Auxiliary Relay to Starter)	
25D	7016808	1	Cable (Auxiliary Relay to Auxiliary Pump)	
26	3311405	AR	Locknut 1/4in-20NC	
27	3311501	4	Nut 5/16in-18NC	
28	3311605	3	Locknut 3/8in-16NC	
29	3312005	1	Locknut 5/8in-11NC	
30	3572504	1	Plate	
31	3790012	1	O-Ring (Not Shown - Located on Platform Console)	
32	3900255	1	Screw, Shoulder	
33	3960389	55in/1.4m	Seal	
34	4360336	1	Switch, Toggle (Not Shown - Located on Platform Console)	
35	4751400	AR	Flatwasher 1/4in Regular	
36	4751500	4	Flatwasher 5/16in Regular	
37	4751600	8	Flatwasher 3/8in Regular	
38	4752000	1	Flatwasher 5/8in Regular	

SECTION 2 TURNTABLE

**FIGURE 2-14. FORD ENGINE INSTALLATION (SN 0300078473 TO SN 0300096000)
(CONTINUED)**

ITEM #	PART NUMBER	QTY.	DESCRIPTION	REV.
39	4752200	2	Flatwasher 3/4in Regular	
40	4791600	1	Starwasher 3/8in	
41	4846096	2	Bracket, Hood Latch	
42	Not Used			
43	3340399	1	Pad, Wear	
44	4070497	2	Shim	
45	4070498	1	Shim	
46	3960469	1	Seal	
		Ref	ENGINE & PUMPS SUB-ASSEMBLIES:	
	2000236	Ref	SN 0300078473 to SN 0300086916	B
	2000312	Ref	SN 0300086916 to SN 0300096000	B
101	0100011	AR	Compound, Locking	
102	0641608	2	Bolt 3/8in-16NC x 1in	
103	0641812	2	Bolt 1/2in-13NC x 1-1/2in	
104	Not Used			
105	2030004	2.63gal	Antifreeze (Not Shown)	
106	3600404	1	Piston Pump Assembly with Fittings Options (See PISTON PUMP ASSEMBLY for Breakdown)	
107	3600405	1	Gear Pump Assembly with Fittings (See GEAR PUMP ASSEMBLY for Breakdown)	
108	3790152	1	O-Ring	
109	3960389	10ft/3m	Seal	
110	4891600	2	Flatwasher 3/8in Hardened	
		Ref	ENGINE ASSEMBLIES:	
	2000210	Ref	SN 0300078473 to SN 0300086916	D
	2000311	Ref	SN 0300086916 to SN 0300096000	C
201	0080201	1	Adapter, Elbow	
202	0080214	1	Adapter, Fan	
203	0100011	AR	Compound, Locking	
204	4711600	12	Flatwasher 3/8in Thin	
205	0340041	2	Band, Air Cleaner	
206	0340046	2	Band, Muffler	
207	0641406	14	Bolt 1/4in-20NC x 3/4in	
208	0641414	4	Bolt 1/4in-20NC x 1-3/4in	
209	0641506	2	Bolt 5/16in-18NC x 3/4in	
210	0641507	4	Bolt 5/16in-18NC x 7/8in	
211	0641609	4	Bolt 3/8in-16NC x 1-1/8in	
212	0641610	18	Bolt 3/8in-16NC x 1-1/4in	
213	0641612	8	Bolt 3/8in-16NC x 1-1/2in	
214	0641820	4	Bolt 1/2in-13NC x 2-1/2in	
215	Not Used			
216	0700819	4	Bolt, Metric 8mm x 55mm	
217	0701012	4	Bolt, Metric 10mm x 25mm	
218	0701014	2	Bolt, Metric 10mm x 30mm	
219	0701022	2	Bolt, Metric 10mm x 70mm	

SECTION 2 TURNTABLE

**FIGURE 2-14. FORD ENGINE INSTALLATION (SN 0300078473 TO SN 0300096000)
(CONTINUED)**

ITEM #	PART NUMBER	QTY.	DESCRIPTION	REV.
220	0721004	1	Bolt #10-24NC x 1/2in	
221	0760606	4	Bolt 6mm x 12mm	
222	0902457	1	Bracket, Muffler	
223	0962172	1	Bushing, Flanged	
224	1320012	4	Clamp, Hose	
225	1320016	4	Clamp	
226	1320022	1	Clamp, Hose	
227	1320033	8	Clamp, Hose	
228	1320060	1	Clamp, Hose	
229	1321138	3	Flange, Exhaust	
230	1340060	1	Air Cleaner Assembly	
	7012664	1	Element, Air Cleaner	
231 to 232	Not Used			
233	2000207	1	Engine, Ford LRG-425 Tier II	
234	2060025	1	Fan	
235	2180467	1	Fitting, Barbed Elbow	
236	2180798	1	Fitting, Restrictor Indicator (SN 0300078473 to SN 0300086916)	
237	2720435	1	Hose, Radiator - Bottom	
238	2720436	1	Hose, Radiator - Top	
239	2720514	1	Hose, High Pressure Fuel Line	
240	2820172	1	Shield, Insulated Exhaust	
241	2820173	2	Shield, Insulated Exhaust	
242	Not Used			
243	3200406	4	Mount, Rubber	
244	3220134	1	Muffler	
245	3311005	1	Locknut #10-24NC	
246	3311405	18	Locknut 1/4in-20NC	
247	3311505	6	Locknut 5/16in-18NC	
248	3311605	26	Locknut 3/8in-16NC	
249	3311805	4	Locknut 1/2in-13NC	
250	0741610	2	Screw, Countersunk 3/8in-16NC x 1-1/4in	
251	3570808	1	Plate, Relay Mounting	
252	3571019	1	Plate, Air Panel	
253	3571502	1	Shield, Heat	
254	3571692	1	Plate, Radiator Mounting	
255	3572502	1	Plate, Air Flow Side	
256	3572503	1	Plate, Air Flow Top	
257	3574496	1	Plate, EPM/Relay Mounting	
258	Use 3600423	1	Auxiliary Pump Assembly (was p/n 3600279) (See AUXILIARY PUMP ASSEMBLY for Breakdown)	
259	3620040	1	Radiator	
	Use 8180311	1	Cap, Radiator (was p/n 7019656)	
260	3740067	1	Relay (Auxiliary Power)	
261	3740080	1	Relay, Bosch	
262	3960591	3	Gasket, Exhaust	
263	4360392	1	Indicator, Clogged Filter (SN 0300078473 to SN 0300086916)	
264	456605	1	Spacer	
265	4567878	1	Pipe, Exhaust (Engine to Flange)	

SECTION 2 TURNTABLE

**FIGURE 2-14. FORD ENGINE INSTALLATION (SN 0300078473 TO SN 0300096000)
(CONTINUED)**

ITEM #	PART NUMBER	QTY.	DESCRIPTION	REV.
266	4568951	1	Tube, Air Intake Options: SN 0300078473 to SN 0300086916	
	4569173		SN 0300086916 to SN 0300096000	
267	4568955	1	Tailpipe	
268	4569083	1	Pipe, Exhaust (Flange to Muffler)	
269	4640989	1	Valve, Oil Drain	
270	4711400	8	Flatwasher 1/4in Thin	
271	4740274	4	Washer, Snubbing	
272	4751000	2	Flatwasher #10 Regular	
273	4751400	28	Flatwasher 1/4in Regular	
274	4751500	12	Flatwasher 5/16in Regular	
275	4751600	36	Flatwasher 3/8in Regular	
276	4751800	4	Flatwasher 1/2in Regular	
277	0100020	AR	Sealant, Pipe	
278	Not Used			
279	4812000	4	Flatwasher 10mm	
280	4831900	4	Lockwasher, Metric 8mm	
281	4832000	4	Lockwasher, Metric 10mm	
282	4846806	1	Bracket, Engine Mounting (Front)	
283	4846809	1	Tray	
284	2750532	8in/20cm	Hose	
285	2820174	1	Shield, Insulated Exhaust	
286	1703162	2	Decal - Fan Blade	
287	3340399	2	Pad, Wear	
288	3573667	1	Support, Radiator	
289	4070497	4	Shim	
290	4070498	2	Shim	
	2000207	Ref	ENGINE COMPONENTS	B
301	Use 7022133	1	Fuel Pump & Isolator Assembly (was p/n 7027407)	
302	7022135	1	Filter, Fuel	
303	Use 7022679	1	Starter (was p/n 7027408)	
304	7019977	1	Alternator with Regulator & Pulley	
305	Use 70000007	1	Actuator, Throttle (was p/n 7023683)	
	7027404	1	Gasket, Actuator (Not Shown)	
306	Use 7019996	1	Sensor, Air Temperature (was p/n 7023661)	
	7023662	1	Bracket, Air Temperature Sensor	
307	Use 7023681	1	Harness, Engine Control (Not Shown) (was p/n 7027403)	
308	7022139	1	Sensor, MAP	
309	7023682	1	Sensor, HEGO	
310	2420187	1	Dipstick	
311	7027400	1	Mixer Assembly	
312	Not Used			
313	7021868	1	Filter, Oil (Was p/n 7022147, 7022173 & 7014501)	
314	1660250	1	Coupling, Pump	
	7019976	1	Flywheel (Not Shown)	
	7022180	1	Gear Only	

SECTION 2 TURNTABLE

FIGURE 2-14. FORD ENGINE INSTALLATION (SN 0300078473 TO SN 0300096000)
(CONTINUED)

ITEM #	PART NUMBER	QTY.	DESCRIPTION	REV.
315	7019993	1	Pressure Regulator & Filter Assembly	
	7022134	1	Harness, Fuel Pump Wiring	
316	0902539	1	Bracket	
317	1600374	1	Module, EPM	
318	3220134	1	Muffler	
319	0903010	1	Bracket, LP Regulator	
320	7023698	1	Regulator, LP	
	7023680	1	Filter/Shut-Off, LP	
321	Use 7019994	1	Oxygen Sensor (was p/n 7027406)	
322	70002307	1	Gasket, Exhaust Manifold to Pipe	
	Use 7022143	1	Gasket, Exhaust Manifold to Head (Not Shown) (was p/n 7027401)	
323	Use 7027402	1	Belt (was p/n 7019979)	
324	7027405	4	Spark Plug (Not Shown)	
325	1580011	1	Tank, Coolant Overflow	
326	7023699	1	Megajector	
	7027410	1	Harness, Megajector	
	70001690	1	Hose Kit - Megajector	
327	2760112	1	Housing, Coupling	
328	7022142	1	Switch, Oil Pressure	
329	7023637	1	Switch, Oil Sender	
330	7019925	1	PCV Valve (Not Shown)	
331	7019978	1	Tensioner, Belt	
332	7022155	1	Sensor, Water Temperature (Not Shown)	
	7022156	1	Thermostat, Water Temperature (Not Shown)	
333	7022178	1	Sensor, Crank (Not Shown)	
334	7025134	1	Gasket, Water Outlet (Not Shown)	
335	7027411	1	Unit, Water Sender (Not Shown)	
336	7022153	1	Pump, Water (Includes Gasket)	
	See Note	1	Pulley, Water Pump (Note: Not Available for Purchase)	
337	7027413	1	Harness, Ford EPM Jumper (Not Shown)	

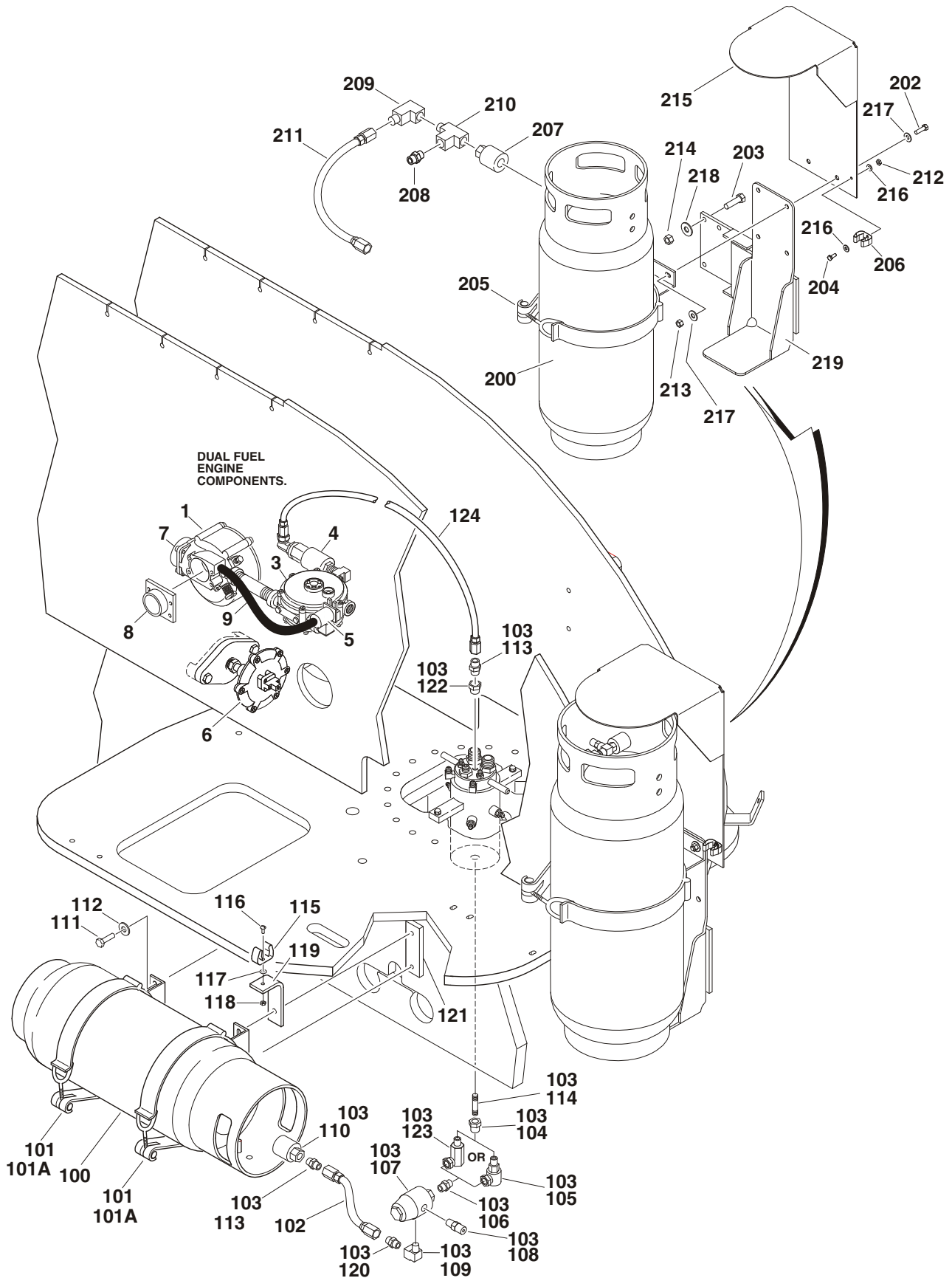
SECTION 2 TURNTABLE

**FIGURE 2-14. FORD ENGINE INSTALLATION (SN 0300078473 TO SN 0300096000)
(CONTINUED)**

ITEM #	PART NUMBER	QTY.	DESCRIPTION	REV.

SECTION 2 TURNTABLE

FIGURE 2-15. DUAL FUEL INSTALLATIONS (GAS MACHINES ONLY)



SECTION 2 TURNTABLE

FIGURE 2-15. DUAL FUEL INSTALLATIONS (GAS MACHINES ONLY)

ITEM #	PART NUMBER	QTY.	DESCRIPTION	REV.
		Ref	DUAL FUEL ENGINE COMPONENTS (PRIOR TO SN 0300078473 ONLY)	
		Ref	Note: For Machines built SN 0300078473 to SN 0300096000 refer to Engine Installation.	
	7023665	1	Dual Fuel Conversion Kit (Note: Includes hose, fittings, clamps and items indented below. For replacement hose, fittings and clamps supply locally.)	
1	7022165	1	Mixer	
	7022171	1	Repair Kit - 7022165 Mixer	
	7023645	1	Gasket, Mixer	
2	Not Used			
3	7022167	1	Convertor	
	7022170	1	Repair Kit - 7022167 Convertor	
4	Use 7023680	1	Filter, LP Shut-Off (was p/n 7022169)	
	Use 7023680	1	Electrical Connector Kit (Includes (1) 2 Position Connector, 2 Pins & 2 Seals) (was p/n 7023679)	
5	7022168	1	Valve, Solenoid	
6	4360188	1	Switch, Vacuum	
7	7023603	1	Adaptor	
	7023659	1	Gasket	
	7023660	4	Screw M6 x 14mm	
8	7022166	1	Adaptor	
9	70000099	1	Hose, Mixer to Convertor	
	0259144	Ref	LP TANK AND BRACKETS INSTALLATION - FRAME MOUNTED	4/D
100		1	Tank, LP Options:	
	4400275		Aluminum	
	4400420		Steel	
101	1320220	1	Clamp Kit	
101A	1320127	1	Toggle	
102	2720144	1	Hose	
103	0100020	AR	Sealant, Thread	
104	2221019	1	Fitting, Reducer	
105	2180125	1	Fitting, Elbow	
106	2220261	1	Fitting, Nipple	
107	2180388	1	Filter, Bulkhead	
108	2180389	1	Valve, Relief	
109	2220648	1	Fitting, Elbow	
110	2180387	1	Fitting, LP	
111	0641606	4	Bolt 3/8in-16NC x 3/4in	
112	4751600	4	Flatwasher 3/8in Regular	
113	2180418	2	Fitting, Straight	
114	2221018	1	Fitting, Nipple	
115	1320218	1	Clamp, Spring	
116	3910808	1	Screw #8-32NC x 1in	
117	4750800	2	Flatwasher #8 Regular	
118	3310805	1	Locknut #8-32NC	
119	0181949	1	Angle, Support	

SECTION 2 TURNTABLE

FIGURE 2-15. DUAL FUEL INSTALLATIONS (GAS MACHINES ONLY) (CONTINUED)

ITEM #	PART NUMBER	QTY.	DESCRIPTION	REV.
120	2221024	1	Fitting, Union	
121	0362519	2	Bar, Mounting (Prior to SN 0300069278)	
122	2220005	1	Fitting, Reducer	
123	2220082	1	Fitting	
124	2720392	1	Hose	
	0270659	Ref	LP TANK AND BRACKETS INSTALLATION - TURNTABLE MOUNTED	A
200		1	Tank, LP Options:	
	4400275		Aluminum	
	4400420		Steel	
201	0100020	AR	Sealant, Pipe (Not Shown)	
202	0641610	2	Bolt 3/8in-16NC x 1-1/4in	
203	0641814	3	Bolt 1/2in-13NC x 1-3/4in	
204	0721005	1	Screw	
205	1320126	1	Clamp, Tank	
206	1320218	1	Clamp, Spring	
207	2180387	1	Fitting	
208	2180389	1	Fitting, Relief Valve	
209	2180504	1	Fitting, Elbow	
210	2220290	1	Fitting, Tee	
211	2720149	1	Hose	
212	3311005	1	Locknut #10-24NC	
213	3311605	2	Locknut 3/8in-16NC	
214	3311805	3	Locknut 1/2in-13NC	
215	4061012	1	Shield, LP Tank	
216	4751000	2	Flatwasher #10 Regular	
217	4751600	4	Flatwasher 3/8in Regular	
218	4751800	3	Flatwasher 1/2in Regular	
219	4846310	1	Mount, Tank	

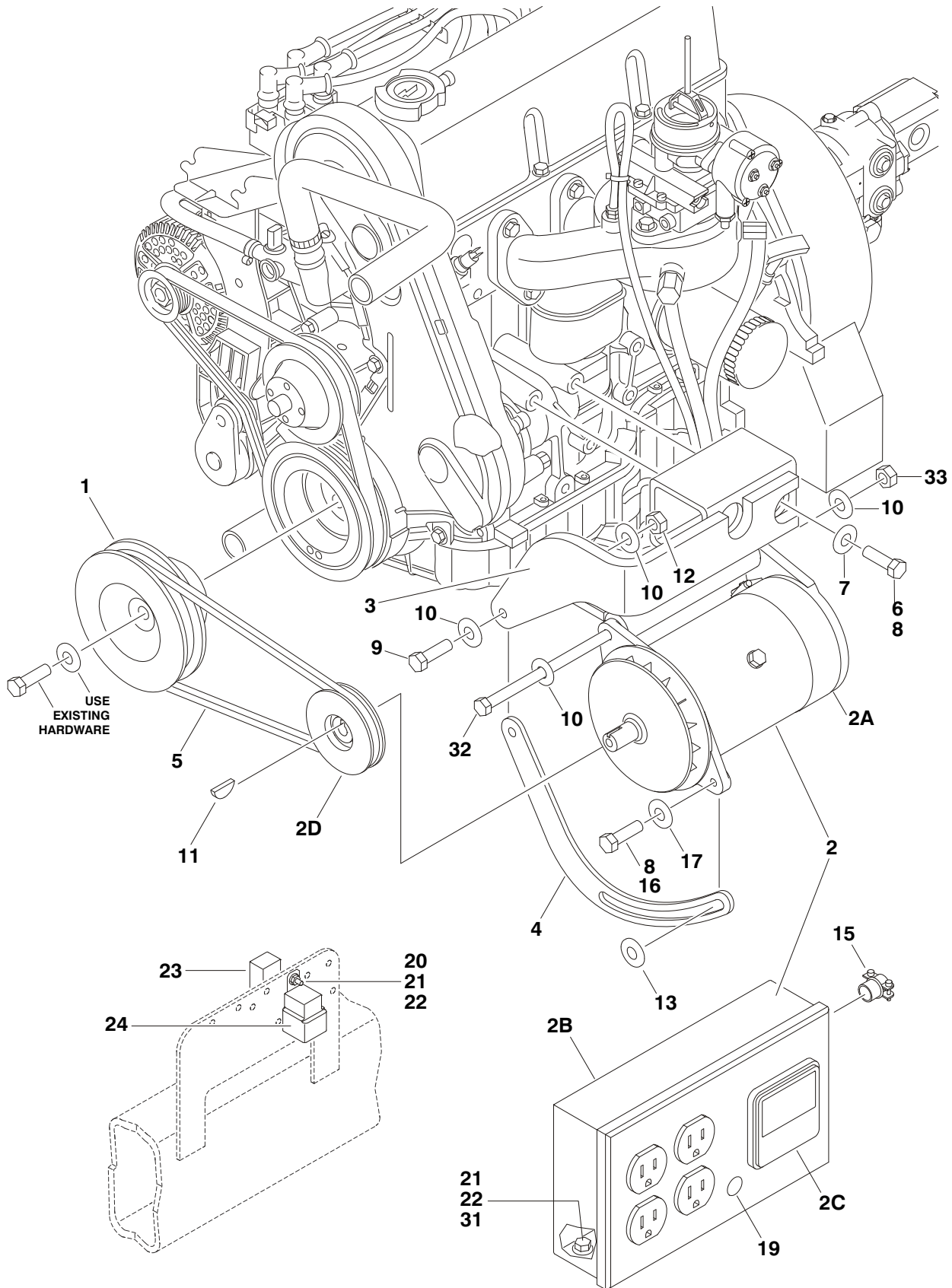
SECTION 2 TURNTABLE

FIGURE 2-15. DUAL FUEL INSTALLATIONS (GAS MACHINES ONLY) (CONTINUED)

ITEM #	PART NUMBER	QTY.	DESCRIPTION	REV.

SECTION 2 TURNTABLE

FIGURE 2-16. GENERATOR INSTALLATION - FORD MACHINES (PRIOR TO SN 0300078473)
(OPTIONAL)



SECTION 2 TURNTABLE

**FIGURE 2-16. GENERATOR INSTALLATION - FORD MACHINES (PRIOR TO SN 0300078473)
(OPTIONAL)**

ITEM #	PART NUMBER	QTY.	DESCRIPTION	REV.
		Ref	GENERATOR INSTALLATION OPTIONS:	
	0270496	Ref	110V Generator without ADE System	3/A
	0271345	Ref	110V Generator with ADE System (Prior to SN 0300064509)	3/C
	0272008	Ref	110V Generator with ADE System (SN 0300064509 to SN 0300078473)	5/C
	0270497	Ref	220V Generator without ADE System	3/A
	0271348	Ref	220V Generator with ADE System (Prior to SN 0300064509)	3/C
	0272011	Ref	220V Generator with ADE System (SN 0300064509 to SN 0300078473)	4/B
		Ref	Note: Refer to Sky Power Accessories Manual p/n 3124242 for the Miller 7500W Generator.	
1	3580250	1	Pulley	
2		1	Generator and Control Box Assembly Options:	
	2460011		110Volt Assembly (Prior to SN 0300066060)	
	2460032		110Volt Assembly (SN 0300066060 to SN 0300066478)	
	2460044		110Volt Assembly (SN 0300066478 to SN 0300078473)	
	2460013		220Volt Assembly (Prior to SN 0300066060)	
	2460034		220Volt Assembly (SN 0300066060 to SN 0300066478)	
	2460013		220Volt Assembly (SN 0300066478 to SN 0300078473)	
2A	7012558	1	Generator Only - 110V	
	1001100321	1	Generator Only - 220V	
		Ref	Note: Replacement Generators come standard with p/n 3580134 pulley. This pulley may not be correct for all applications. Refer to pulley options below.	
		1	Armature with Slip Rings Options:	
	7026199		Armature with Slip Rings - 110V	
	70000123		Armature with Slip Rings - 220V	
	7012513	4	Cap, Brush Holder	
	7020108	4	Brush	
	7020109	4	Holder, Brush	
	7012514	1	Fan	
	7020110	1	Bell, Front	
	7020111	1	Bell, Rear	
	7020190	2	Bearing	
	7020193	1	Cord, Power	
2B	7003657	1	Box, Control - 110V	
	70002235	1	Box, Control - 220V	
		AR	Receptacle Options:	
	4460190	1	Receptacle, Standard (110V Only)	
	4460027	1	Receptacle, Twistlock (110V Only)	
	70000124	1	Receptacle, Double (220V Only)	
	70000125	1	Receptacle, Single (220V Only)	
		1	Breaker, Circuit Options:	
	4360542		Breaker 110V	
	70000126		Breaker 220V	
	3520028	1	Plug, Hole	
	2920162	1	Lamp Assembly	
	7020191	1	Switch, Toggle	

SECTION 2 TURNTABLE

**FIGURE 2-16. GENERATOR INSTALLATION - FORD MACHINES (PRIOR TO SN 0300078473)
(OPTIONAL) (CONTINUED)**

ITEM #	PART NUMBER	QTY.	DESCRIPTION	REV.
2C		1	Voltmeter Options:	
	2420203		Voltmeter - 110V	
	7020192		Voltmeter - 220V	
2D		1	Pulley Options:	
	3580134		Pulley 110V (Prior to SN 0300066060)	
	3580276		Pulley 110V (SN 0300066060 to SN 0300066478)	
	3580307		Pulley 110V (SN 0300066478 to SN 0300078473)	
	3580134		Pulley 220V (Prior to SN 0300066060)	
	3580276		Pulley 220V (SN 0300066060 to SN 0300066478)	
	3580134		Pulley 220V (SN 0300066478 to SN 0300078473)	
	7027887	1	Key, Woodruff	
3		1	Bracket, Generator Mounting Options:	
	0902210		Prior to SN 0300064508	
	0902756		SN 0300064508 to SN 0300078473	
4	0200632	1	Arm, Adjusting	
5		1	V-Belt Options:	
	0480118		Generator - 110V (Prior to SN 0300066060)	
	Use 0480134		Generator - 110V (SN 0300066060 to SN 0300073860) (was p/n 0480111)	
	0480134		Generator - 110V (SN 0300073860 to SN 0300078473)	
	0480118		Generator - 220V	
6	0701015	2	Bolt, Metric 10mm-1.5 x 35mm	
7	4812000	2	Flatwasher 10mm	
8	0100011	AR	Compound, Locking	
9	0681612	AR	Bolt 3/8in-16NC x 1-1/2in (Grade 8)	
10	4751600	6	Flatwasher 3/8in Regular	
11	2860012	1	Key, Woodruff	
12	3311605	1	Locknut 3/8in-16NC	
13	4564417	1	Spacer, Tube	
14	Not Used			
15	4460023	1	Connector, Strain Relief	
16	0641508	1	Bolt 5/16in-18NC x 1in	
17	4751500	2	Flatwasher 5/16in Regular	
18	Not Used			
19	3520028	1	Plug, Hole	
20	0721006	AR	Bolt #10-24NC x 3/4in	
21	3311005	AR	Locknut #10-24NC	
22	4751000	AR	Flatwasher #10 Regular	
23	4360294	1	Breaker, Circuit - 30 Amp (Prior to SN 0300069330)	
24	3740080	1	Relay, Bosch	
25	4360336	1	Switch, Toggle - SPST (Not Shown - Located at Platform)	
26	4740397	1	Washer (Not Shown - Located at Platform)	
27	4060802	1	Guard, Switch (Not Shown - Located at Platform)	
28	Not Used			
29	2820031	1	Heatshrink (Not Shown - Located at Platform)	
30	3251102	1	Decal (Not Shown - Located at Platform)	
31	0721008	2	Bolt #10-24NC x 1in	
32	0641772	1	Bolt 7/16in-14NC x 9in (SN 0300064509 to SN 0300078473)	
33	3311705	1	Locknut 7/16in-14NC (SN 0300064509 to SN 0300078473)	

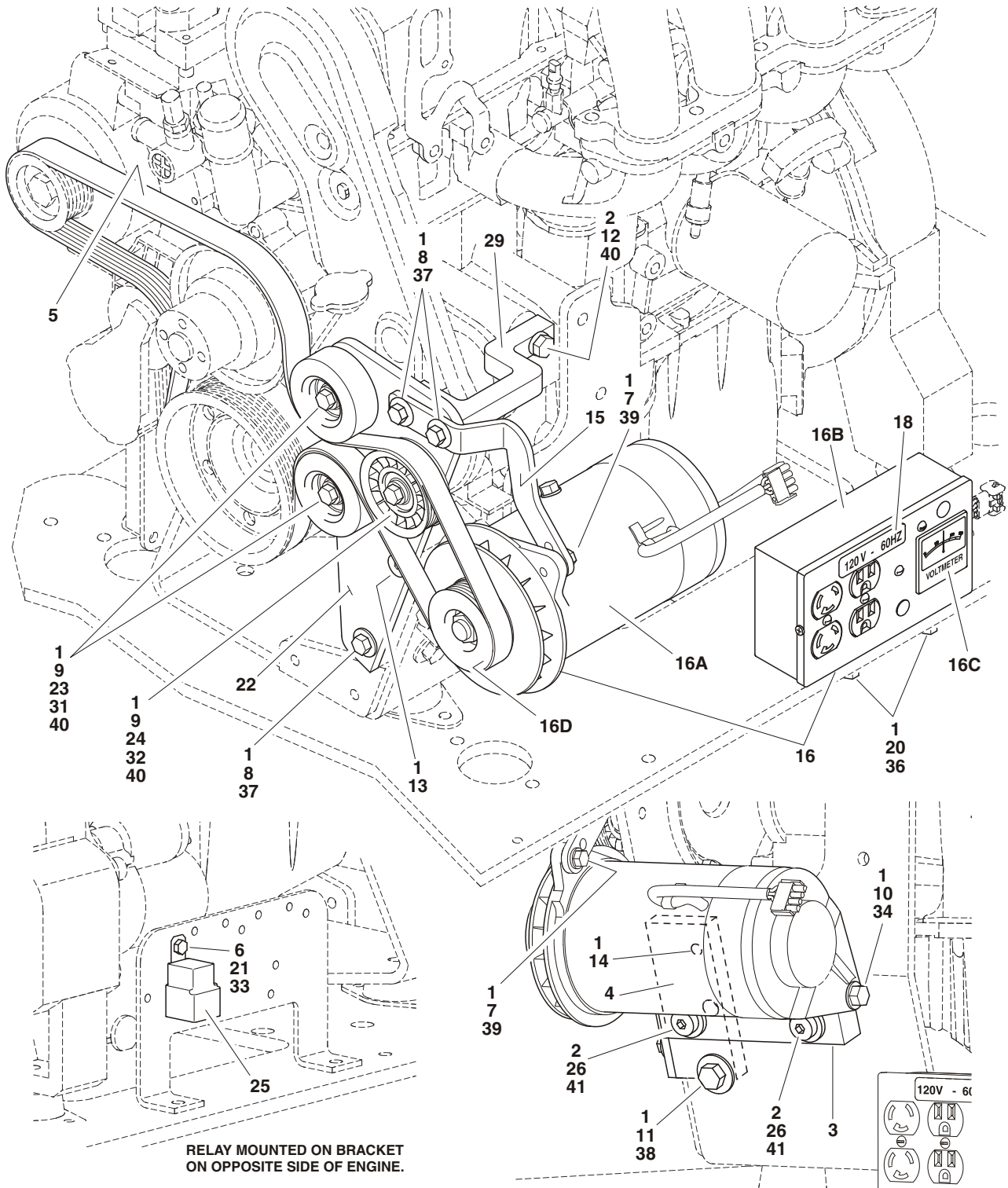
SECTION 2 TURNTABLE

**FIGURE 2-16. GENERATOR INSTALLATION - FORD MACHINES (PRIOR TO SN 0300078473)
(OPTIONAL) (CONTINUED)**

ITEM #	PART NUMBER	QTY.	DESCRIPTION	REV.

SECTION 2 TURNTABLE

**FIGURE 2-17. GENERATOR INSTALLATION - FORD MACHINES (SN 0300078473 TO SN 0300096000)
(OPTIONAL)**



SECTION 2 TURNTABLE

FIGURE 2-17. GENERATOR INSTALLATION - FORD MACHINES (SN 0300078473 TO SN 0300096000) (OPTIONAL)

ITEM #	PART NUMBER	QTY.	DESCRIPTION	REV.
		Ref	GENERATOR INSTALLATION OPTIONS:	
	0273507	Ref	110V Generator with ADE System (SN 0300078473 to SN 0300096000)	B
	0273511	Ref	220V Generator with ADE System (SN 0300078473 to SN 0300096000)	A
		Ref	Note: Refer to Sky Power Accessories Manual p/n 3124242 for the Miller 7500W Generator.	
1	0100011	AR	Compound, Locking	
2	0100019	AR	Compound, Locking	
3	0363082	1	Bar, Generator Adjuster	
4	0363097	1	Bar, Pulley Mounting	
5	0480135	1	V-Belt	
6	0641405	1	Bolt 1/4in-20NC x 5/8in	
7	0641508	1	Bolt 5/16in-18NC x 1in	
8	0641611	3	Bolt 3/8in-16NC x 1-3/8in	
9	0641612	3	Bolt 3/8in-16NC x 1-1/2in	
10	0641718	2	Bolt 7/16in-14NC x 2-1/4in	
11	0641810	1	Bolt 1/2in-13NC x 1-1/4in	
12	0701015	1	Bolt 10mm x 35mm	
13	0741606	1	Screw, Countersunk 3/8in-16NC x 3/4in	
14	0741808	1	Screw, Countersunk 1/2in-13NC x 1in	
15	0902952	1	Bracket, Generator Mounting	
16		1	Generator and Control Box Assembly Options:	
	2460051		110Volt Assembly	
	2460052		220Volt Assembly	
16A	7012558	1	Generator Only - 110V	
	1001100321	1	Generator Only - 220V	
		Ref	Note: Replacement Generators come standard with p/n 3580134 pulley. This pulley may not be correct for all applications. Refer to pulley options below.	
		1	Armature with Slip Rings Options:	
	7026199		Armature with Slip Rings - 110V	
	70000123		Armature with Slip Rings - 220V	
	7012513	4	Cap, Brush Holder	
	7020108	4	Brush	
	7020109	4	Holder, Brush	
	7012514	1	Fan	
	7020110	1	Bell, Front	
	7020111	1	Bell, Rear	
	7020190	2	Bearing	
	7020193	1	Cord, Power	
16B	7019680	1	Box, Control - 110V	
	70000127	1	Box, Control - 220V	
		AR	Receptacle Options:	
	4460190	1	Receptacle, Standard (110V Only)	
	4460027	1	Receptacle, Twistlock (110V Only)	
	70000124	1	Receptacle, Double (220V Only)	
	70000125	1	Receptacle, Single (220V Only)	

SECTION 2 TURNTABLE

FIGURE 2-17. GENERATOR INSTALLATION - FORD MACHINES (SN 0300078473 TO SN 0300096000) (OPTIONAL) (CONTINUED)

ITEM #	PART NUMBER	QTY.	DESCRIPTION	REV.
16B (cont'd)		1	Breaker, Circuit Options:	
	4360542		Breaker 110V	
	70000126		Breaker 220V	
	3520028	1	Plug, Hole	
16C		1	Voltmeter Options:	
	2420203		Voltmeter - 110V	
	7020192		Voltmeter - 220V	
16D		1	Pulley Options:	
	3580324		Pulley 110V	
	3580325		Pulley 220V	
	7027887	1	Key, Woodruff	
17	2820031	AR	Heatshrink (Not Shown - Located at Platform)	
18		1	Decal	
	1702590		110V Generator	
	3251243		220V Generator	
19	3252764	1	Nameplate (Not Shown - Located at Platform)	
20	3311005	2	Locknut #10-24NC	
21	3311405	1	Locknut 1/4in-20NC	
22	3574225	1	Plate, Pulley Mounting	
23	3580312	2	Pulley, Idler	
24	3580313	1	Pulley, Grooved Idler	
25	3740080	1	Relay, Bosch	
26	3900322	2	Screw, Shoulder	
27	4060802	1	Guard, Switch (Not Shown - Located at Platform)	
28	4240018	AR	Tie-Strap (Not Shown)	
29	4340738	1	Support, Idler Pulley	
30	4360336	1	Switch, Toggle - SPST (Not Shown - Located at Platform)	
31	4568734	2	Spacer, Tube (Idler Pulley Non-Grooved)	
32	4568735	1	Spacer, Tube (Idler Pulley Grooved)	
33	4711400	1	Flatwasher 1/4in Thin	
34	4711700	2	Flatwasher 7/16in Thin	
35	4740397	1	Spacer (Not Shown - Located at Platform)	
36	4751000	2	Flatwasher #10 Regular	
37	4751600	3	Flatwasher 3/8in Regular	
38	4751800	1	Flatwasher 1/2in Regular	
39	4891500	1	Flatwasher 5/16in Hardened	
40	4891600	4	Flatwasher 3/8in Hardened	
41	4892000	2	Flatwasher 5/8in Hardened	

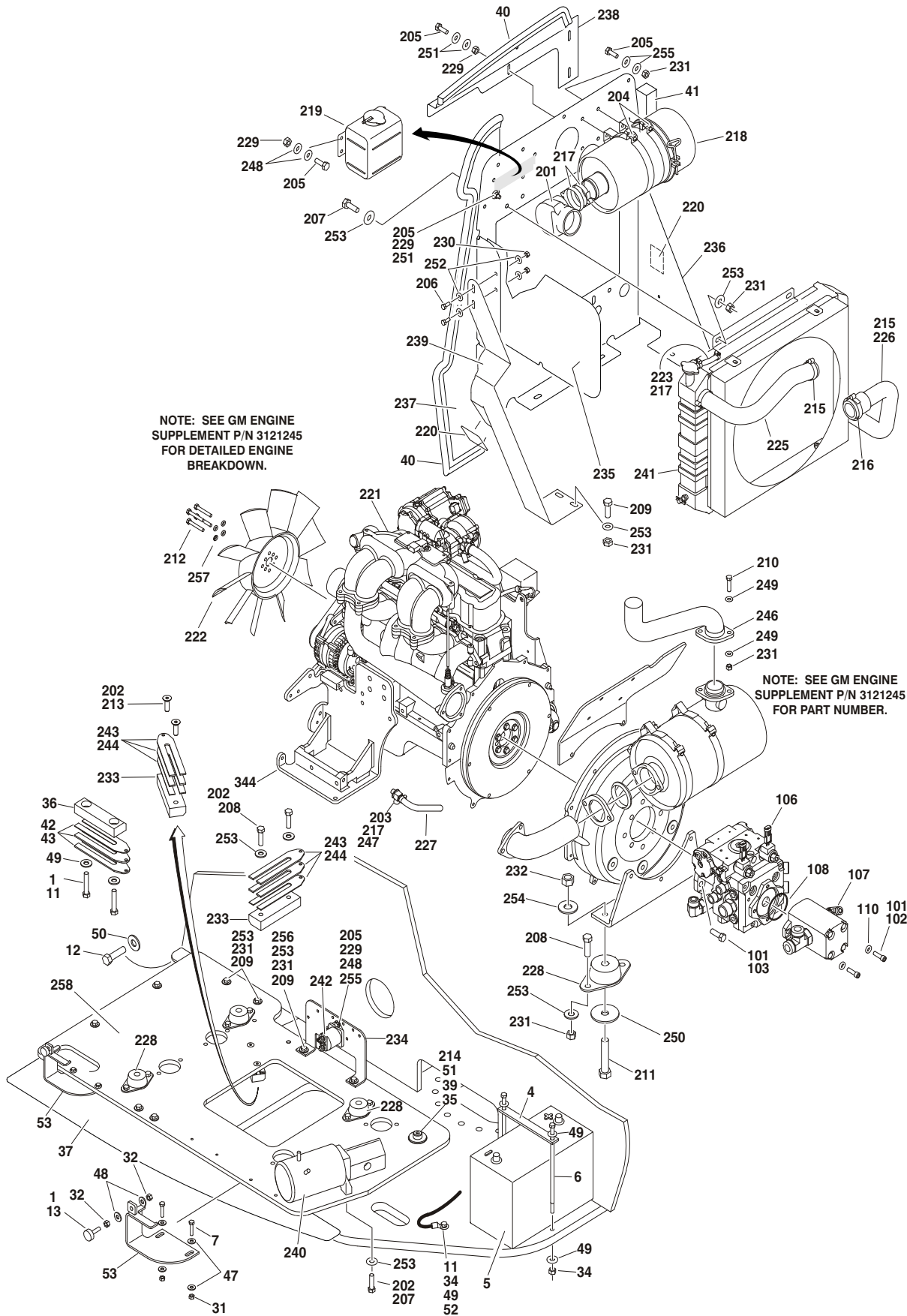
SECTION 2 TURNTABLE

FIGURE 2-17. GENERATOR INSTALLATION - FORD MACHINES (SN 0300078473 TO SN 0300096000) (OPTIONAL) (CONTINUED)

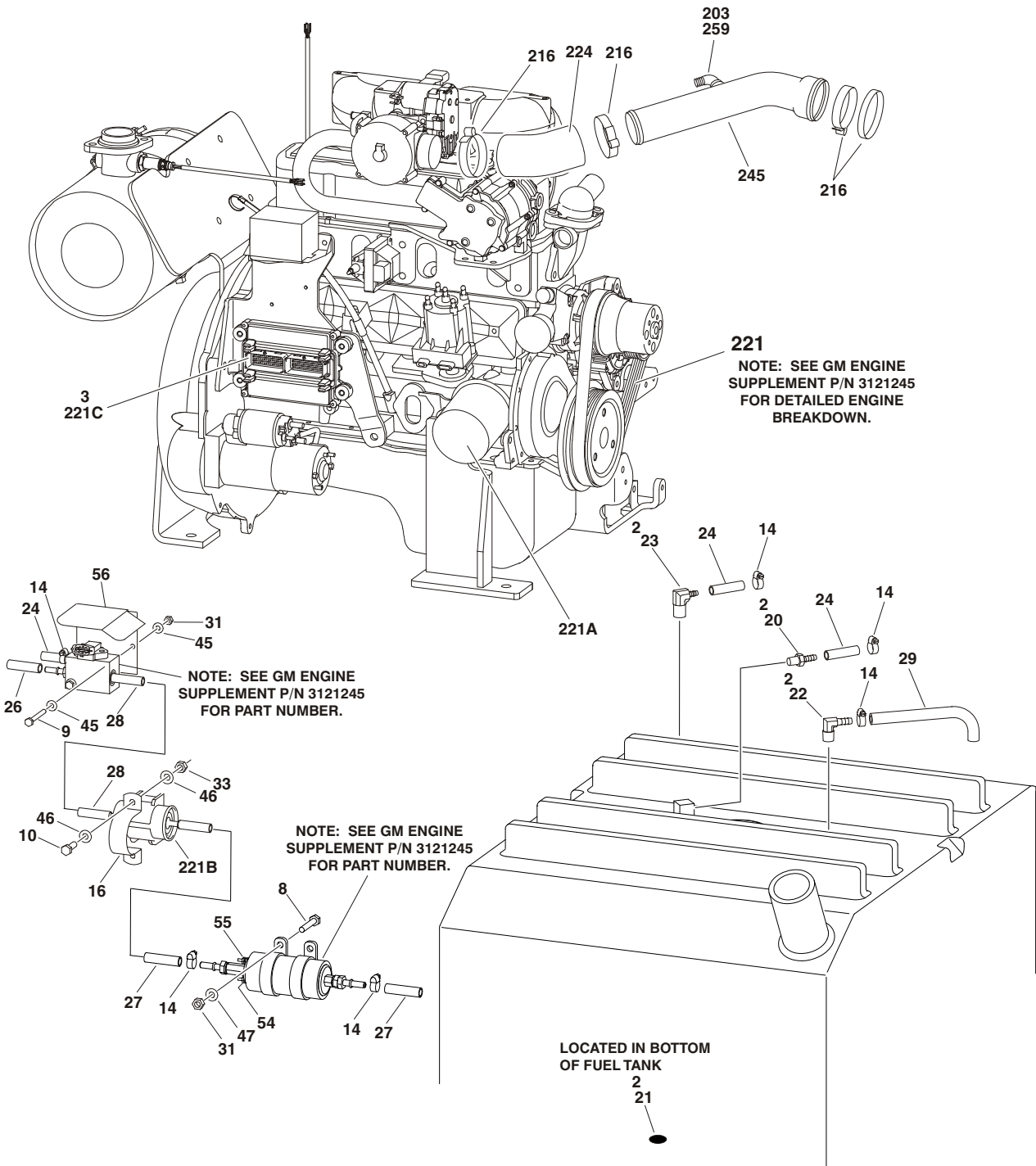
ITEM #	PART NUMBER	QTY.	DESCRIPTION	REV.

SECTION 2 TURNTABLE

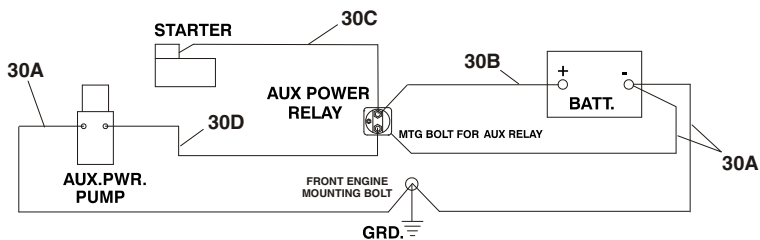
FIGURE 2-18. GM ENGINE INSTALLATION



SECTION 2 TURNTABLE



ITEM 30 INCLUDES ITEMS 30A-30D



SECTION 2 TURNTABLE

FIGURE 2-18. GM ENGINE INSTALLATION

ITEM #	PART NUMBER	QTY.	DESCRIPTION	REV.
	0275032	Ref	GM ENGINE INSTALLATION	D
1	0100011	AR	Compound, Locking	
2	0100020	AR	Sealant, Pipe	
3	0100048	AR	Grease, Dielectric	
4	0361810	1	Bar, Battery Hold Down	
5	0400075	1	Battery (Wet)	
6	0630541	2	Bolt, Battery Hold Down	
7	0641410	4	Bolt 1/4in-20NC x 1-1/4in	
8	0641412	2	Bolt 1/4in-20NC x 1-1/2in (Not Shown)	
9	0641422	2	Bolt 1/4in-20NC x 2-3/4in	
10	0641511	2	Bolt 5/16in-18NC x 1-3/8in	
11	0641616	3	Bolt 3/8in-16NC x 2in	
12	0642010	1	Bolt 5/8in-11NC x 1-1/4in	
13	0940049	2	Stopper, Hood	
14	1320022	5	Clamp, Fuel Line	
15	1320223	1	Clamp (Not Shown - Located on Fuel Line Vent Hose)	
16	1320323	1	Clamp	
17	1701542	1	Decal, Gas (Not Shown)	
18	1701543	1	Decal, LPG (Not Shown)	
19	Not Used			
20	2180348	1	Fitting, Barbed	
21	2200222	1	Plug, Pipe	
22	2220313	1	Fitting, Elbow Barbed	
23	2221176	1	Fitting, Elbow	
24	2720058	11ft/3.4m	Hose	
25	2720474	1	Hose	
26	2720565	1	Hose (78in/2m Length)	
27	2720566	1	Hose (6in/15cm Length)	
28	2720567	1	Hose (48in/122cm Length)	
29	2750532	6ft/1.8m	Hose	
30	2902511	1	Battery Cable Kit	C
30A	7027013	1	Cable (Battery - to Ground)	
30B	7027012	1	Cable (Battery + to Auxilliary Relay)	
30C	7016808	1	Cable (Auxilliary Relay to Starter)	
30D	7016820	1	Cable (Auxilliary Relay to Auxilliary Pump)	
31	3311405	8	Locknut 1/4in-20NC	
32	3311501	4	Nut 5/16in-18NC	
33	3311505	2	Locknut 5/16in-18NC	
34	3311605	2	Locknut 3/8in-16NC	
35	3312005	1	Locknut 5/8in-11NC	
36	3340399	1	Pad, Wear	
37	3572504	1	Plate	
38	3790012	1	O-Ring (Not Shown - Located in Console Box)	
39	3900255	1	Screw, Shoulder	
40	3960389	4.6ft/1.40m	Seal, Self Gripping	
41	3960469	1	Seal, Foam Gasket	
42	4070497	2	Shim	
43	4070498	1	Shim	

SECTION 2 TURNTABLE

FIGURE 2-18. GM ENGINE INSTALLATION (CONTINUED)

ITEM #	PART NUMBER	QTY.	DESCRIPTION	REV.
44	4360336	1	Switch, Toggle (Not Shown - Located in Console Box)	
45	4711400	4	Flatwasher 1/4in Thin	
46	4711500	4	Flatwasher 5/16in Thin	
47	4751400	10	Flatwasher 1/4in Regular	
48	4751500	4	Flatwasher 5/16in Regular	
49	4751600	7	Flatwasher 3/8in Regular	
50	4752000	1	Flatwasher 5/8in Regular	
51	4752200	2	Flatwasher 3/4in Regular	
52	4791600	1	Starwasher 3/8in	
53	4846096	2	Weldment, Hood Latch	
54	3290505	1	Locknut M5	
55	3290405	1	Locknut M4	
56	3380741	1	Shield, Cover	
	2000359	Ref	GM ENGINE E AND PUMP SUB-ASSEMBLY	A
101	0100011	AR	Compound, Locking	
102	0641608	2	Bolt 3/8in-16NC x 1in	
103	0641812	2	Bolt 1/2in-13NC x 1-1/2in	
104	Not Used			
105	2300004	AR	Coolant (Not Shown)	
106	3600404	1	Piston Pump Assembly (See PISTON PUMP ASSEMBLY for Breakdown)	
107	3600405	1	Gear Pump Assembly (See GEAR PUMP ASSEMBLY for Breakdown)	
108	3790152	1	O-Ring	
109	3960389	10ft/3m	Seal	
110	4891600	2	Flatwasher 3/8in Hardened	
	2000358	Ref	GM ENGINE ASSEMBLY	C
201	0080201	1	Fitting, Elbow	
202	0100011	AR	Compound, Locking	
203	0100020	AR	Sealant	
204	0340041	2	Band, Mounting	
205	0641406	15	Bolt 1/4in-20NC x 3/4in	
206	0641507	2	Bolt 5/16in-18NC x 7/8in	
207	0641609	6	Bolt 3/8in-16NC x 1-1/8in	
208	0641610	10	Bolt 3/8in-16NC x 1-1/4in	
209	0641611	6	Bolt 3/8in-16NC x 1-3/8in	
210	0641612	2	Bolt 3/8in-16NC x 1-1/2in	
211	0641820	4	Bolt 1/2in-13NC x 2-1/2in	
212	0700810	4	Bolt M8 x 20mm	
213	0741610	2	Screw, Flat Head 3/8in-16NC x 1-1/4in	
214	0962172	1	Bushing, Flanged	
215	1320012	3	Clamp	
216	1320016	5	Clamp	
217	1320022	3	Clamp	
218	1340060	1	Air Cleaner Assembly	
	7012664	1	Element, Air Cleaner	

SECTION 2 TURNTABLE

FIGURE 2-18. GM ENGINE INSTALLATION (CONTINUED)

ITEM #	PART NUMBER	QTY.	DESCRIPTION	REV.
219	1580011	1	Container, Coolant Overflow	
220	1703162	2	Decal - Caution Fan	
221	2000354	1	Engine, GM 3.0L (See GM Engine Supplement P/N 3121245 for Breakdown of Additional Components)	
	7027996	4	Plug, Spark (Not Shown)	
221A	7027965	1	Filter, Oil	
221B	7027972	1	Filter, Fuel	
221C	7027994	1	Module, Control (ECU)	
222	2060025	1	Fan	
223	2720058	4in/10cm	Hose	
224	2720514	1	Hose	
225	2720563	1	Hose, Radiator (Top)	
226	2720564	1	Hose, Radiator (Bottom)	
227	2750532	8in/20cm	Hose	
228	3200406	4	Mount, Motor	
229	3311405	15	Locknut 1/4in-20NC	
230	3311505	2	Locknut 5/16in-18NC	
231	3311605	20	Locknut 3/8in-16NC	
232	3311805	4	Locknut 1/2in-13NC	
233	3340399	2	Pad, Wear	
234	3570808	1	Plate, Relay Mount	
235	3571019	1	Plate, Airv Panel	
236	3571692	1	Plate, Radiator Mounting	
237	3572502	1	Plate, Air Flow Control (Side)	
238	3572503	1	Plate, Air Flow Control (Top)	
239	3573667	1	Plate, Radiator Support	
240	Use 3600423	1	Auxiliary Pump Assembly (was p/n 3600279) (See AUXILIARY PUMP ASSEMBLY for Breakdown)	
241	3620040	1	Radiator	
	Use 8180311	1	Cap, Radiator (was p/n 7019656)	
242	3740067	1	Relay	
243	4070497	4	Shim (11 Gauge)	
244	4070498	2	Shim (16 Gauge)	
245	4569342	1	Tube, Air Intake	
246	4569345	1	Pipe, Exhaust	
247	4640952	1	Valve, Oil Drain	
248	4711400	12	Flatwasher 1/4in Thin	
249	4711600	4	Flatwasher 3/8in Thin	
250	4740274	4	Flatwasher, Snubbing	
251	4751400	18	Flatwasher 1/4in Regular	
252	4751500	4	Flatwasher 5/16in Regular	
253	4751600	32	Flatwasher 3/8in Regular	
254	4751800	4	Flatwasher 1/2in Regular	
255	4791400	2	Starwasher 1/4in	
256	4791600	2	Starwasher 3/8in	
257	4831900	4	Lockwasher 8mm	
258	4846809	1	Tray, Engine	
259	2180877	1	Fitting, Elbow	

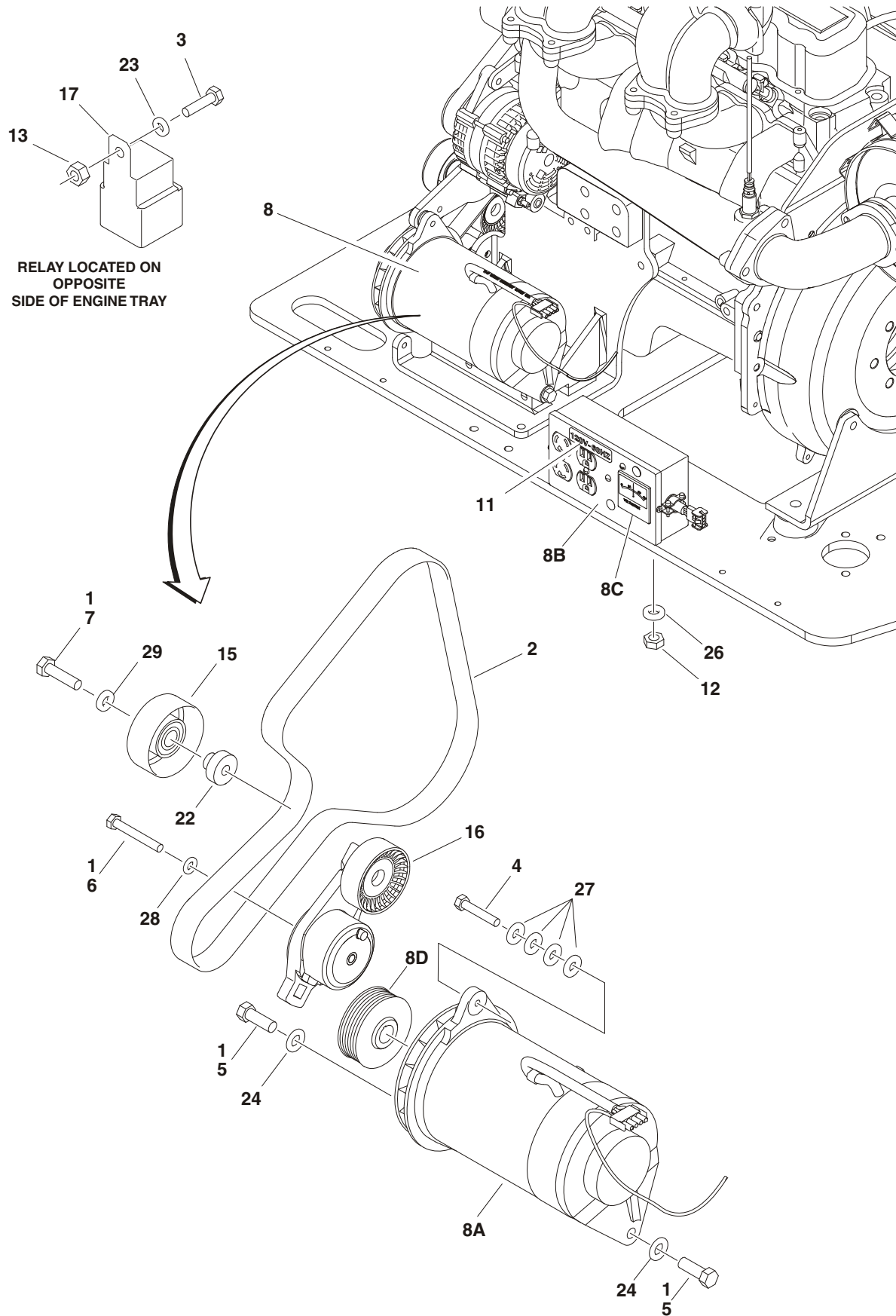
SECTION 2 TURNTABLE

FIGURE 2-18. GM ENGINE INSTALLATION (CONTINUED)

ITEM #	PART NUMBER	QTY.	DESCRIPTION	REV.

SECTION 2 TURNTABLE

FIGURE 2-19. GENERATOR INSTALLATION - GM MACHINES (OPTIONAL)



SECTION 2 TURNTABLE

FIGURE 2-19. GENERATOR INSTALLATION - GM MACHINES (OPTIONAL)

ITEM #	PART NUMBER	QTY.	DESCRIPTION	REV.
		Ref	GENERATOR INSTALLATION OPTIONS:	
	0275039	Ref	110V Generator	D
	See Note	Ref	220V Generator (Note: Not Available for Purchase)	
		Ref	Note: Refer to Sky Power Accessories Manual P/N 3124242 for the Miller 7500W Generator.	
1	0100011	AR	Compound, Locking	
2	0480142	1	V-Belt	
3	0641405	1	Bolt 1/4in-20NC x 5/8in	
4	0641510	1	Bolt 5/16in-18NC x 1-1/4in	
5	0641710	2	Bolt 7/16in-14NC x 1-1/4in	
6	0700820	1	Bolt 8mm x 60mm	
7	0701016	1	Bolt 10mm x 340mm	
8		1	Generator and Control Box Assembly Options:	
	2460051		110 Volt Assembly	
	2460052		220 Volt Assembly	
8A	7012558	1	Generator Only - 110V	
	1001100321	1	Generator Only - 220V	
		Ref	Note: Replacement Generators come standard with p/n 3580134 pulley. This pulley may not be correct for all applications. Refer to pulley options below.	
		1	Armature with Slip Rings Options:	
	7026199		Armature with Slip Rings - 110V	
	70000123		Armature with Slip Rings - 220V	
	7012513	4	Cap, Brush Holder	
	7020108	4	Brush	
	7020109	4	Holder, Brush	
	7012514	1	Fan	
	7020110	1	Bell, Front	
	7020111	1	Bell, Rear	
	7020190	2	Bearing	
	7020193	1	Cord, Power	
8B	7019680	1	Box, Control - 110V	
	70000127	1	Box, Control - 220V	
		AR	Receptacle Options:	
	4460190	1	Receptacle, Standard (110V Only)	
	4460027	1	Receptacle, Twistlock (110V Only)	
	70000124	1	Receptacle, Double (220V Only)	
	70000125	1	Receptacle, Single (220V Only)	
		1	Breaker, Circuit Options:	
	4360542		Breaker 110V	
	70000126		Breaker 220V	
	3520028	1	Plug, Hole	
8C		1	Voltmeter Options:	
	2420203		Voltmeter - 110V	
	7020192		Voltmeter - 220V	

SECTION 2 TURNTABLE

FIGURE 2-19. GENERATOR INSTALLATION - GM MACHINES (OPTIONAL) (CONTINUED)

ITEM #	PART NUMBER	QTY.	DESCRIPTION	REV.
8D		1	Pulley Options:	
	3580324		Pulley 110V	
	3580325		Pulley 220V	
	7027887	1	Key, Woodruff	
9	2820031	AR	Heatshrink (Not Shown - Located at Platform)	
10	3251102	1	Nameplate - Generator (Not Shown - Located at Platform)	
11		1	Decal	
	3251243		110 Volt Generator	
	1702590		220 Volt Generator	
12	3311005	2	Locknut # 10-24NC	
13	3311405	1	Locknut 1/4in-20NC	
14	Not Used			
15	3580312	1	Pulley, Idler	
16	3580348	1	Tensioner, Belt	
17	3740080	1	Relay, Bosch	
18	4060802	1	Guard, Switch (Not Shown - Located at Platform)	
19	4240018	AR	Tie-Strap (Not Shown)	
20	4360336	1	Switch, Toggle (Not Shown - Located at Platform)	
21	4460906	3	Terminal (Not Shown)	
22	4568735	1	Spacer, Tube (Idler Pulley Grooved)	
23	4711400	1	Flatwasher 1/4in Thin	
24	4711700	2	Flatwasher 7/16in Thin	
25	4740397	1	Spacer (Not Shown - Located at Platform)	
26	4751000	2	Flatwasher #10 Regular	
27	4751500	4	Flatwasher 5/16in Regular	
28	4811900	1	Flatwasher 8mm	
29	4891600	1	Flatwasher 3/8in Hardened	

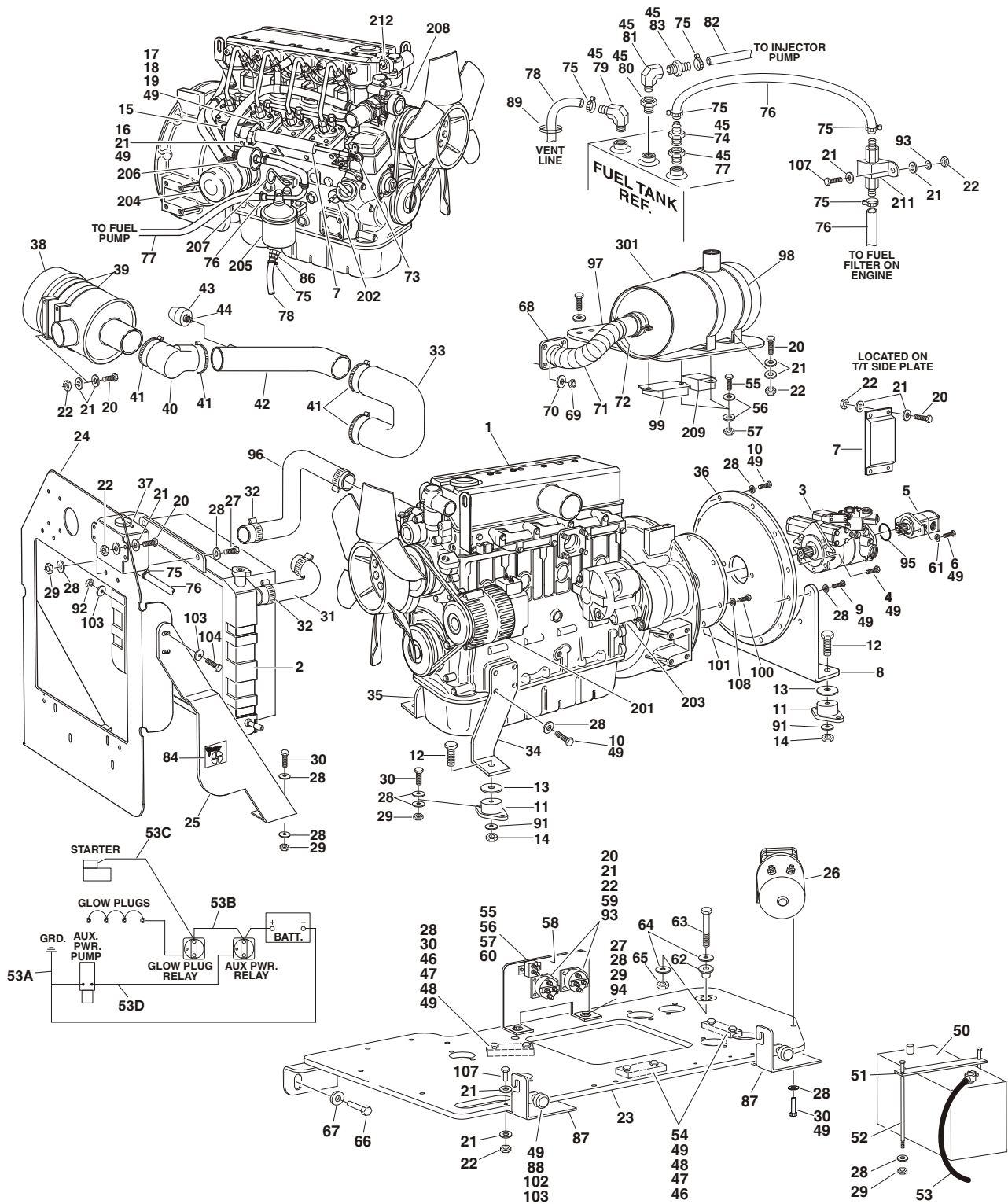
SECTION 2 TURNTABLE

FIGURE 2-19. GENERATOR INSTALLATION - GM MACHINES (OPTIONAL) (CONTINUED)

ITEM #	PART NUMBER	QTY.	DESCRIPTION	REV.

SECTION 2 TURNTABLE

FIGURE 2-20. ISUZU ENGINE INSTALLATION - 4LE1



SECTION 2 TURNTABLE

FIGURE 2-20. ISUZU ENGINE INSTALLATION - 4LE1

ITEM #	PART NUMBER	QTY.	DESCRIPTION	REV.
	0271441	Ref	ENGINE ASSEMBLY	3/B
1	2000163	1	Engine - Isuzu 4JB1	
2	3620040	1	Radiator	
3	3600296	1	Piston Pump Assembly (See PISTON PUMP ASSEMBLY for Breakdown)	
4	0641812	2	Bolt 1/2in-13NC x 1-1/2in	
5		1	Gear Pump Assembly Options:	
	3600297		Prior to SN 0300070763 (See GEAR PUMP ASSEMBLY for Breakdown)	
	3600368		SN 0300070763 to SN 0300096000 (No Service Parts Available)	
6	0641608	2	Bolt 3/8in-16NC x 1in	
7	0060033	1	Kit - Throttle Actuator	
8	3571201	1	Plate, Engine Mounting - Rear	
9	0701015	6	Bolt, Metric 10mm x 35mm	
10	0701012	15	Bolt, Metric 10mm-1.5 x 25mm	
11	3200378	4	Mount, Rubber	
12	0641820	4	Bolt 1/2in-13NC x 2-1/2in	
13	4740274	4	Washer, Snubbing	
14	3311805	4	Locknut 1/2in-13NC	
15	3571266	1	Bracket, Throttle Mount	
16	0700610	4	Bolt, Metric 6mm x 20mm	
17	3900217	1	Screw, Shoulder	
18	0962031	1	Bushing, Flange	
19	4740442	1	Washer, Belleville	
20	0641508	18	Bolt 5/16in-18NC x 1in	
21	4751400	48	Flatwasher 1/4in Regular	
22	3311405	24	Locknut 1/4in-20NC	
23	4846080	1	Tray Weldment	
24	3571692	1	Plate, Radiator Mount	
25	3570607	1	Plate, Radiator Support - Left	
26	Use 3600423	1	Auxiliary Pump Assembly (was p/n 3600279) (See AUXILIARY PUMP ASSEMBLY for Breakdown)	
27	0641610	6	Bolt 3/8in-16NC x 1-1/4in	
28	4751600	57	Flatwasher 3/8in Regular	
29	3311605	26	Locknut 3/8in-16NC	
30	0641611	20	Bolt 3/8in-16NC x 1-3/8in	
31	2720441	1	Hose, Radiator - Top	
32	1320012	4	Clamp	
33	0080232	1	Adapter, Air Intake	
34	3571192	1	Plate, Engine Mounting - Left Front	
35	3571265	1	Plate, Engine Mounting - Right Front	
36	0080181	1	Plate, Pump Adapter	
37	1580011	1	Tank, Coolant Recovery	
38	1340060	1	Air Cleaner Assembly	
	7012664	1	Element, Air Cleaner	
39	0340041	2	Band, Air Cleaner	
40	0080201	1	Elbow, Rubber	
41	1320016	4	Clamp	

SECTION 2 TURNTABLE

FIGURE 2-20. ISUZU ENGINE INSTALLATION - 4LE1 (CONTINUED)

ITEM #	PART NUMBER	QTY.	DESCRIPTION	REV.
42	4567817	1	Tube, Air Intake	
43	4360392	1	Indicator, Clogged Filter	
44	2180798	1	Fitting, Restrictor Indicator	
45	0100020	AR	Sealant, Thread	
46	3340399	3	Pad, Wear	
47	4070497	4	Shim 1/8in	
48	4070498	2	Shim 1/16in	
49	0100011	AR	Compound, Locking	
50		1	Battery Options:	
	0400075		Battery (Wet)	
	7016180		Battery (Dry)	
51	0361810	1	Battery Tie-Down	
52	0630541	2	Bolt, Tie-Down	
53	2901880	1	Cable Kit - Battery	C
53A	7016835	1	Cable -Battery & Auxiliary Pump to Ground	
53B	7016843	1	Cable - Battery to Auxiliary Relay & Glow Plug Relay	
53C	7016834	1	Cable - Glow Plug Relay to Starter	
53D	7016820	1	Cable -Auxiliary Pump to Auxiliary Relay	
54	0741610	2	Screw, Flathead 3/8in-16NC x 2in	
55	0721006	5	Bolt #10-24NC x 3/4in	
56	4751000	6	Flatwasher #10 Regular	
57	3311005	5	Locknut #10-24NC	
58	3572728	1	Plate, Relay Mounting	
59	3740067	1	Relay (Auxiliary Power)	
60	4360501	1	Breaker, Circuit	
61	4891600	2	Flatwasher 3/8in Hardened	
62	0962172	1	Bushing, Flanged	
63	3900255	1	Bolt Shoulder 3/4in x 3in	
64	4752200	2	Flatwasher 3/4in Regular	
65	3312005	1	Locknut 5/8in-11NC	
66	0642010	1	Bolt 5/8in-11NC x 1-1/4in	
67	4752000	1	Flatwasher 5/8in Regular	
68	4567821	1	Tube, Exhaust	
69	3290801	4	Nut, Metric 8mm	
70	4831900	6	Lockwasher 8mm	
71	4100025	12in/30cm	Sleeve, Fiberglass	
72	4920385	12in/30cm	Wire, Mechanics	
73	2901775	1	Kit, Addco Mount	
74	2220794	1	Fitting, Barb	
75	1320022	6	Clamp, Hose	
76	2720058	10.5ft/3.2m	Hose	
77	2220273	1	Fitting, Reducer	
78	2750532	7ft/2.1m	Hose	
79	2220313	1	Fitting, Elbow	
80	2220250	1	Fitting, Reducer	
81	2220459	1	Fitting, Elbow	
82	2720271	12ft/3.7m	Hose	
83	2180536	1	Fitting, Straight	
84	1703162	2	Decal - Fan	
85	1701505	1	Decal - Diesel Fuel (Not Shown - Located on Hood Near Tank)	

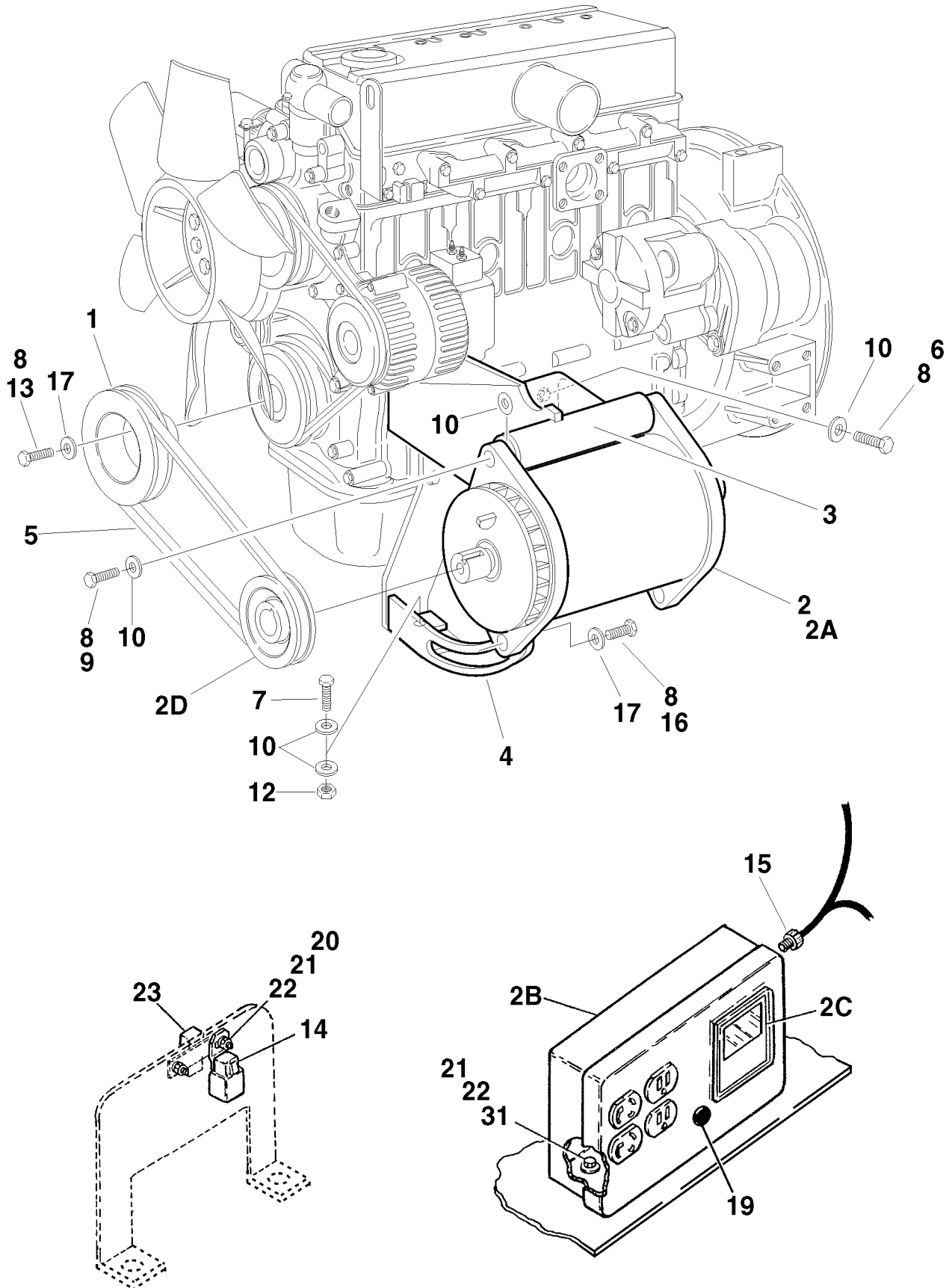
SECTION 2 TURNTABLE

FIGURE 2-20. ISUZU ENGINE INSTALLATION - 4LE1 (CONTINUED)

ITEM #	PART NUMBER	QTY.	DESCRIPTION	REV.
86	4641019	1	Valve, Oil Drain	
87	4846096	2	Bracket, Hood Latch	
88	0940049	2	Bumper, Hood	
89	4240099	1	Tie-Strap	
90	2200222	1	Plug, Pipe (Not Shown - Located at Bottom of Fuel Tank)	
91	4751800	4	Flatwasher 1/2in Regular	
92	3311505	2	Locknut 5/16in-18NC	
93	4791400	6	Starwasher 1/4in	
94	4791600	2	Starwasher 3/8in	
95	3790152	1	O-Ring	
96	2720448	1	Hose, Radiator - Bottom	
97	3571279	1	Plate, Muffler Mount	
98	0340046	2	Band, Muffler Mount	
99	0259198	1	Timer, Fuel-On Coil (See ELECTRICAL SECTION for Breakdown)	
100	0701010	8	Bolt, Metric 10mm-1.5 x 20mm	
101	1660239	1	Coupling	
102	3311501	4	Nut 5/16in-18NC	
103	4751500	8	Flatwasher 5/16in Regular	
104	0641506	2	Bolt 5/16in-18NC x 3/4in	
105	2820128	1	Insulation, Heat Shield (Not Shown)	
106	1320223	1	Camp, Hose	
107	0641410	6	Bolt 1/4in-20NC x 1-1/4in	
108	4832000	8	Lockwasher 10mm	
109	2820140	1	Insulation, Heat Shield (Not Shown)	
		Ref	ENGINE COMPONENTS	
201	7022123	1	Alternator	
202	7022127	1	Switch, Oil Pressure	
203	7022122	1	Starter	
204	7022111	1	Filter, Oil	
205	7022120	1	Pump, Fuel Injection	
206	7022113	1	Filter, Fuel	
207	7022107	1	Dipstick	
208	7022128	1	Sensor, Water Temperature	
209	7022130	1	Control, Glow Plug	
210	7022125	1	Relay, Safety Start	
211	7022129	1	Pump, Fuel	
212	7022126	1	Switch, Water Temperature	
213	7022114	1	Pump, Water	
214	7022118	1	Cooler, Oil (Not Shown)	
215	7022124	4	Plug, Glow	
216	7022131	1	Manual, Owner's (Not Shown)	
		Ref	MUFFLER INSTALLATION	
301		1	Muffler Options:	
	3220113		Standard	
	3220114		Catalytic	

SECTION 2 TURNTABLE

FIGURE 2-21. GENERATOR INSTALLATION - ISUZU MACHINES (OPTIONAL)



SECTION 2 TURNTABLE

FIGURE 2-21. GENERATOR INSTALLATION - ISUZU MACHINES (OPTIONAL)

ITEM #	PART NUMBER	QTY.	DESCRIPTION	REV.
		Ref	GENERATOR INSTALLATION OPTIONS:	
	0259000	Ref	110V Generator	3/B
	0259001	Ref	220V Generator	4/B
1	3580280	1	Pulley	
2		1	Generator and Control Box Assembly Options:	
	2460032		110Volt Assembly	
	2460013		220Volt Assembly (Prior to SN 0300066060)	
	2460034		220Volt Assembly (SN 0300066060 to SN 0300066478)	
	2460013		220Volt Assembly (SN 0300066478 to SN 0300096000)	
2A	7012558	1	Generator Only - 110V	
	1001100321	1	Generator Only - 220V	
		Ref	Note: Replacement Generators come standard with p/n 3580134 pulley. This pulley may not be correct for all applications. Refer to pulley options below.	
		1	Armature with Slip Rings Options:	
	7026199		Armature with Slip Rings - 110V	
	70000123		Armature with Slip Rings - 220V	
	7012513	4	Cap, Brush Holder	
	7020108	4	Brush	
	7020109	4	Holder, Brush	
	7012514	1	Fan	
	7020110	1	Bell, Front	
	7020111	1	Bell, Rear	
	7020190	2	Bearing	
	7020193	1	Cord, Power	
2B	7003657	1	Box, Control - 110V	
	70002235	1	Box, Control - 220V	
		AR	Receptacle Options:	
	4460190	1	Receptacle, Standard (110V Only)	
	4460027	1	Receptacle, Twistlock (110V Only)	
	70000124	1	Receptacle, Double (220V Only)	
	70000125	1	Receptacle, Single (220V Only)	
		1	Breaker, Circuit Options:	
	4360542		Breaker 110V	
	70000126		Breaker 220V	
	3520028	1	Plug, Hole	
	2920162	1	Lamp Assembly	
	7020191	1	Switch, Toggle	
2C		1	Voltmeter Options:	
	2420203		Voltmeter - 110V	
	7020192		Voltmeter - 220V	
2D		1	Pulley Options:	
	3580276		Pulley 110V	
	3580134		Pulley 220V (Prior to SN 0300066060)	
	3580276		Pulley 220V (SN 0300066060 to SN 0300066478)	
	3580134		Pulley 220V (SN 0300066478 to SN 0300078473)	
	7027887	1	Key, Woodruff	
3	4845969	1	Bracket, Generator Mounting	

SECTION 2 TURNTABLE

FIGURE 2-21. GENERATOR INSTALLATION - ISUZU MACHINES (OPTIONAL) (CONTINUED)

ITEM #	PART NUMBER	QTY.	DESCRIPTION	REV.
4	0200664	1	Arm, Adjusting	
5	0480056	1	V-Belt	
6	0701012	2	Bolt, Metric 10mm x 25mm	
7	0641610	1	Bolt 3/8in-16NC x 1-1/4in	
8	0100011	AR	Compound, Locking (Not Shown)	
9	0681612	2	Bolt 3/8in-16NC x 1-1/2in (Grade 8)	
10	4751600	8	Flatwasher 3/8in Regular	
11	Not Used			
12	3311605	1	Locknut 3/8in-16NC	
13	0700814	4	Bolt, Metric 8mm x 30mm	
14	3740080	1	Relay	
15	4460023	1	Connector, Strain Relief	
16	0641508	1	Bolt 5/16in-18NC x 1in	
17	4751500	5	Flatwasher 5/16in Regular	
18	Not Used			
19	3520028	1	Plug, Hole	
20	0721006	3	Bolt #10-24NC x 3/4in	
21	3311005	5	Locknut #10-24NC	
22	4751000	11	Flatwasher #10 Regular	
23	4360501	1	Breaker, Circuit - 30 Amp	
24	Not Used			
25	4360336	1	Switch, Toggle - SPST (Not Shown - Located at Platform)	
26	4740397	1	Washer (Not Shown - Located at Platform)	
27	4060802	1	Guard, Switch (Not Shown - Located at Platform)	
28	Not Used			
29	2820031	1	Heatshrink (Not Shown - Located at Platform)	
30	3251102	1	Decal (Not Shown - Located at Platform)	
31	0721008	2	Bolt #10-24NC x 1in	

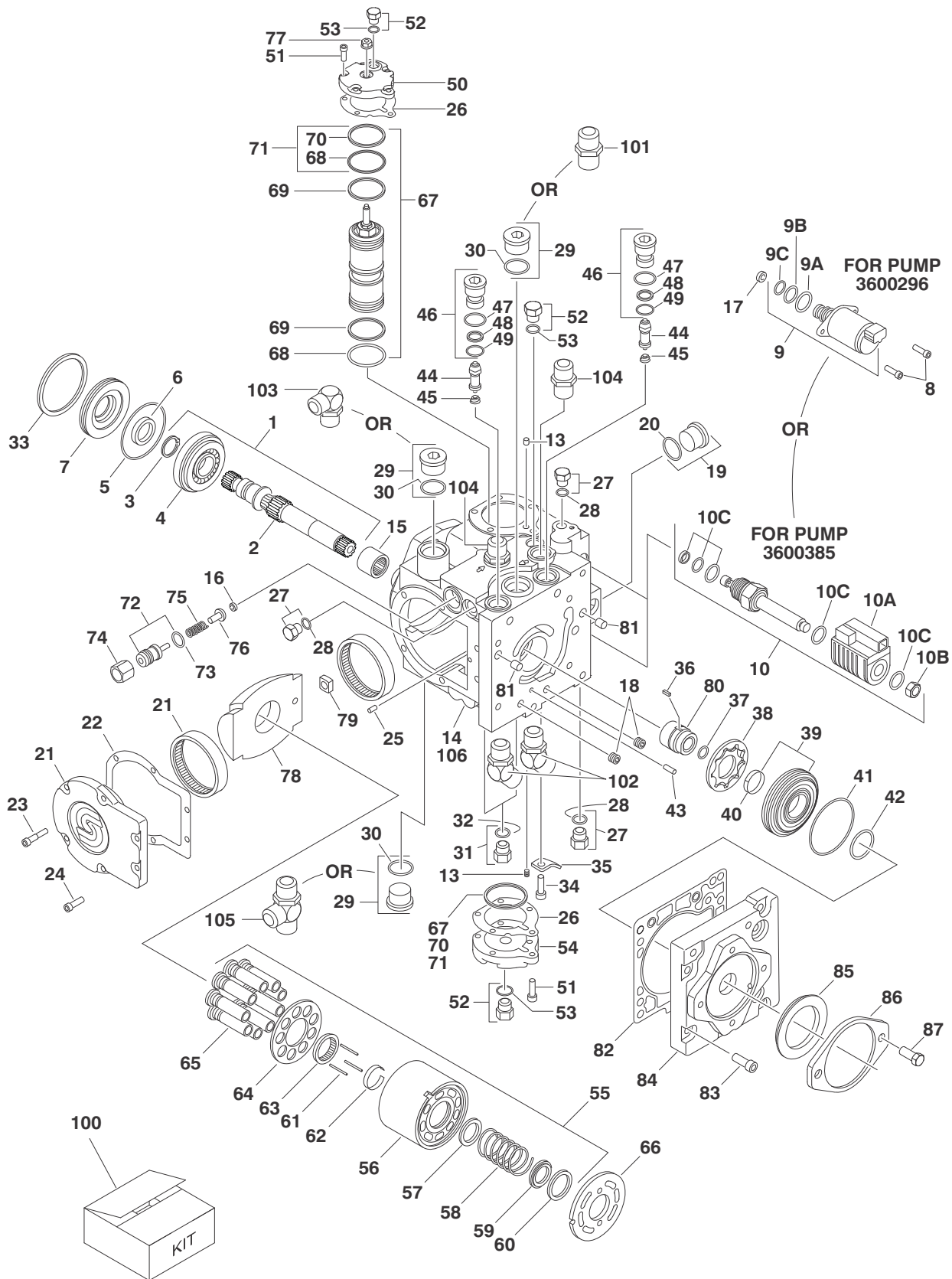
SECTION 2 TURNTABLE

FIGURE 2-21. GENERATOR INSTALLATION - ISUZU MACHINES (OPTIONAL) (CONTINUED)

ITEM #	PART NUMBER	QTY.	DESCRIPTION	REV.

SECTION 2 TURNTABLE

FIGURE 2-22. PISTON PUMP ASSEMBLY



SECTION 2 TURNTABLE

FIGURE 2-22. PISTON PUMP ASSEMBLY

ITEM #	PART NUMBER	QTY.	DESCRIPTION	REV.
		Ref	PISTON PUMP ASSEMBLY	
	3600296	Ref	Prior to SN 0300073424	D
	3600385	Ref	SN 0300073424 to SN 0300096000	B
1	7021240	1	Shaft Assembly (Includes Items 2-4)	
2	7021237	1	Shaft	
3	7021238	1	Ring, Retaining	
4	7021239	1	Bearing, Roller	
5	Use 7021280	1	O-Ring	
6	7021242	1	Seal, Lip	
7	7021243	1	Carrier, Seal Shaft	
8	See Note	4	Screw (Note: Not Available for Purchase)	
9	7022373	2	Solenoid Assembly (Includes Items 9A-9C) (3600296 Pump)	
9A	7022374	2	O-Ring (3600296 Pump Only)	
9B	7022375	2	O-Ring (3600296 Pump Only)	
9C	7022376	2	O-Ring (3600296 Pump Only)	
10	7024855	1	Solenoid Assembly (Includes Items 10A-10C) (3600385 Pump)	
10A	7024856	2	Coil (3600385 Pump Only)	
10B	7024857	2	Nut (3600385 Pump Only)	
10C	7024858	2	Seal Kit - 7024855 Cartridge (3600385 Pump Only)	
11 to 12	Not Used			
13	7022377	2	Orifice	
14	7022378	1	Housing Assembly (Includes Items 15-20)	
15	7021249	1	Bearing, Needle	
16	7021254	1	Screen, Filter (3600296 Pump Only)	
17	7022379	2	Screen, Filter (3600296 Pump Only)	
18	7001485	2	Plug	
19	7022380	1	Plug (Includes Item 20)	
20	7022381	1	O-Ring	
21	7021248	1	Side Cover Assembly (Includes Item 22)	
22	Use 7021280	1	Gasket	
23	7021255	4	Screw	
24	7021251	2	Screw	
25	7021250	1	Pin	
26	Use 7021280	2	Gasket	
27	7021283	2	Plug Assembly (3600296 Pump Only)	
28	7021284	2	O-Ring (3600296 Pump Only)	
29	7007419	2	Plug Assembly	
30	Use 7021280	2	O-Ring	
31	7007470	2	Plug Assembly	
32	Use 7021280	2	O-Ring	
33	7021257	1	Ring, Retaining	
34	7021251	1	Screw	
35	7022340	1	Bracket, Lifting	
36	7022342	1	Key	
37	7022341	1	Ring, Retaining	
38	7021258	1	Gerotor	
39	7021260	1	Gerotor Cover Assembly	
40	7021259	1	Bearing, Journal	

SECTION 2 TURNTABLE

FIGURE 2-22. PISTON PUMP ASSEMBLY (CONTINUED)

ITEM #	PART NUMBER	QTY.	DESCRIPTION	REV.
41	See Note	1	O-Ring (3600296 Pump Only) (Note: No longer available for purchase)	
42	Use 7021280	1	O-Ring	
43	See Note	1	Pin (Note: Not Available for Purchase)	
44	7021263	2	SCR Valve	
45		2	Spring Options:	
	7021264		3600296 Pump Only	
	7024800		3600385 Pump Only	
46	7021265	2	Bypass Valve Assembly (Includes Items 47-49)	
47	Use 7021280	2	O-Ring	
48	Use 7021280	2	Ring, Back Up	
49	Use 7021280	2	O-Ring	
50	7022382	1	Cover, Servo	
51	7021255	10	Screw	
52	7007470	1	Plug Assembly	
53	Use 7021280	1	O-Ring	
54	7021268	1	Cover, Servo	
55		1	Cylinder Block Assembly Options (Includes Items 56-65):	
	7022383		3600385 Pump Only	
	7021269		3600296 Pump Only	
56		1	Cylinder Block Options:	
	7022384		3600385 Pump Only	
	7021270		3600296 Pump Only	
57	7021271	1	Washer	
58	7021272	1	Spring	
59	7021273	1	Washer	
60	7021274	1	Ring, Retaining	
61	7021275	3	Pin, Slipper Hold Down	
62	7021276	1	Retainer, Hold Down Pin	
63	7021277	1	Guide, Slipper Retainer	
64	7021278	1	Retainer, Slipper	
65	7021279	9	Piston Assembly	
66	7021281	1	Plate, Valve	
67	7022385	1	Servo Piston Assembly (Includes Items 68-70)	
68	Use 7021280	2	O-Ring	
69	Use 7021280	2	Ring, Bearing	
70	Use 7021280	2	Ring, Piston	
71	7007412	1	Servo Piston Ring Kit (Includes Items 68 & 70 Only)	
72		1	Plug Assembly Options:	
	7022346		3600385 Pump Only	
	7021288		3600296 Pump Only	
73	Use 7021280	1	O-Ring	
74	7021290	1	Nut	
75		1	Spring Options:	
	7022347		3600385 Pump Only	
	7021291		3600296 Pump Only	
76		1	Poppet Options:	
	7024804		3600385 Pump Only	
	7021292		3600296 Pump Only	
77	Use 7021280	1	Nut, Seal	

SECTION 2 TURNTABLE

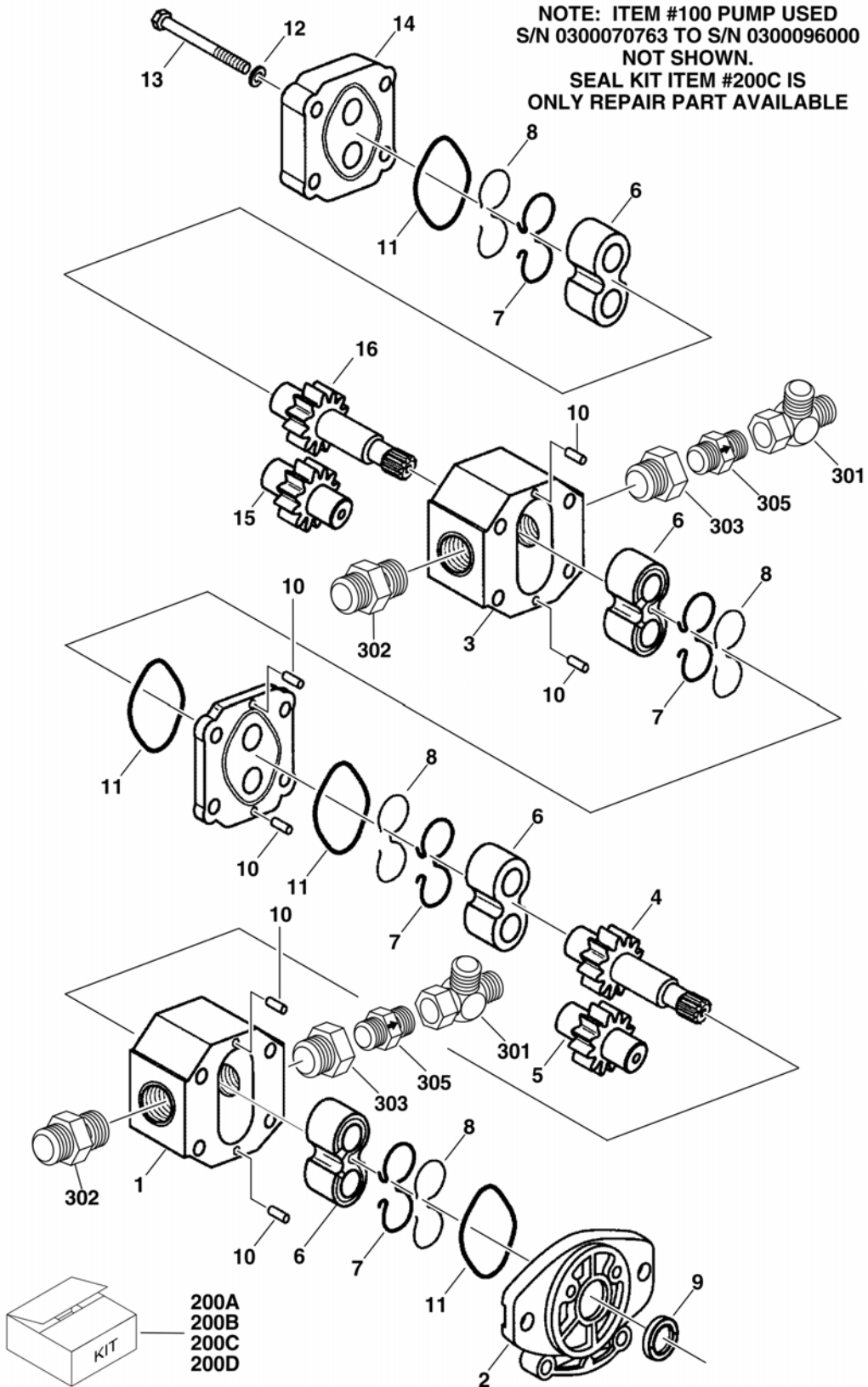
FIGURE 2-22. PISTON PUMP ASSEMBLY (CONTINUED)

ITEM #	PART NUMBER	QTY.	DESCRIPTION	REV.
78	7022386	1	Swashplate	
79	7022387	1	Slider, Block	
80	7021294	1	Coupling	
81	7001481	2	Pin	
82	70002257	1	Gasket	
83	7021296	7	Screw	
84	7021297	1	Cover, Charge Pump	
85	7021298	1	Seal	
86	7021299	1	Plate, Cover	
87	7007289	2	Screw	

100	7021280	1	Seal Kit (Includes Items 5-6,22,26,30,32,42,47-49,53,68-70,73,77 & 82)	
	3600404	Ref	PISTON PUMP SUB-ASSEMBLY	A
		Ref	Usage:	
		Ref	Caterpillar Engine Machines SN 0300078267 to SN 0300096000	
		Ref	Deutz Engine Machines SN 0300077683 to SN 0300096000	
		Ref	Ford Engine Machines SN 0300078473 to SN 0300096000	
		Ref	GM Engine Machines All SNs	
101	2220376	1	Fitting, Straight	
102	2220498	2	Fitting, Elbow	
103	2220578	1	Fitting, Elbow	
104	2220947	2	Fitting, Straight	
105	2221041	1	Fitting, Tee	
106	3600385	1	Pump Assembly (Includes Items 1-87)	

SECTION 2 TURNTABLE

FIGURE 2-23. GEAR PUMP ASSEMBLY



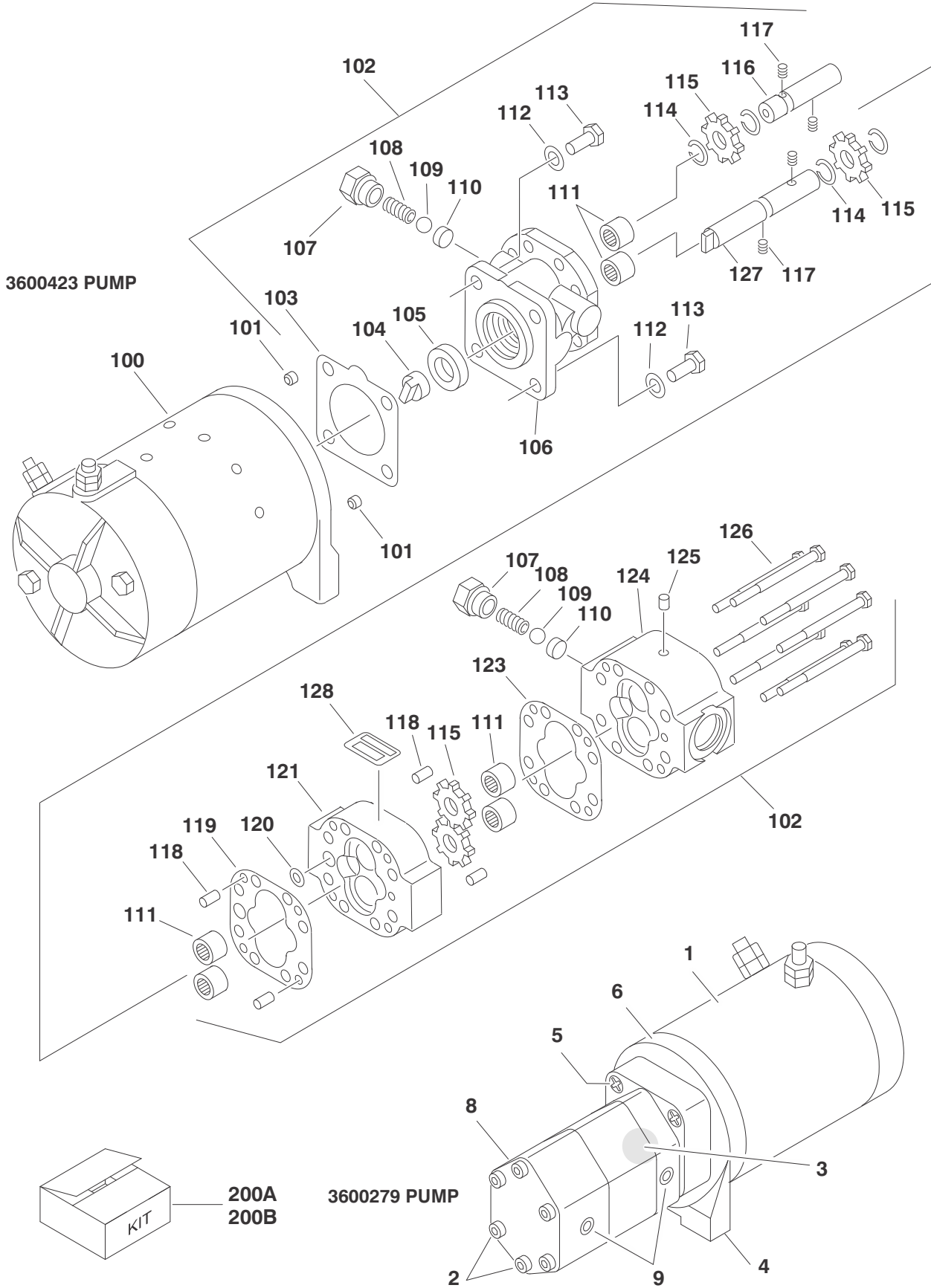
SECTION 2 TURNTABLE

FIGURE 2-23. GEAR PUMP ASSEMBLY

ITEM #	PART NUMBER	QTY.	DESCRIPTION	REV.
		Ref	GEAR PUMP ASSEMBLY	
	3600297	Ref	Pump Prior to SN 0300070763	C
1	Use 3600297	1	Body, Front (Note: Not Available - Purchase Complete Pump)	
2	Use 3600297	1	Cover (Note: Not Available - Purchase Complete Pump)	
3	Use 3600297	1	Body, Rear (Note: Not Available - Purchase Complete Pump)	
4	7023811	1	Gear, Drive	
5	7023812	1	Gear, Idler	
6	Use 7023802	4	Block, Bearing	
7	See Note	4	Seal, Load (Note: Use Item 200A or 200B)	
8	See Note	4	Seal, Anti/Extrusion (Note: Use Item 200A or 200B)	
9	See Note	1	Seal, Shaft (Note: Use Item 200A or 200B)	
10	See Note	6	Pin, Dowel (Note: Not Available for Purchase)	
11	See Note	4	Seal, Static (Note: Use Item 200A or 200B)	
12	7023813	4	Washer	
13	7023814	4	Capscrew	
14	Use 3600297	1	Cover, Rear (Note: Not Available - Purchase Complete Pump)	
15	7023812	1	Gear, Idler	
16	7023815	1	Gear, Drive	
100	3600368	Ref	Pump SN 0300070763 to SN 0300096000 (Not Shown)	A
		Ref	Note: Seal Kit Item 200C is only service part available for this pump.	
200		Ref	SEAL KIT OPTIONS:	
200A	7023820	1	3600297 Minor Seal Kit - (Includes Items - 7,8,9 & 11)	
200B	7023802	1	3600297 Major Seal Kit - (Includes Items - 6,7,8,9 & 11)	
200C	7024962	1	3600368 Minor Seal Kit - (Includes Items - 7,8,9,11& O-Ring Between Intermediate Cover Plates)	
200D	See Note	1	3600368 Major Seal Kit (Note: Not Available for Purchase)	
	3600405	Ref	GEAR PUMP SUB-ASSEMBLY	A
		Ref	Usage:	
		Ref	Caterpillar Engine Machines SN 0300078267 to SN 0300096000	
		Ref	Deutz Engine Machines SN 0300077683 to SN 0300096000	
		Ref	Ford Engine Machines SN 0300078473 to SN 0300096000	
		Ref	GM Engine Machines All SNs	
301	2220385	2	Fitting, Tee	
302	2220479	2	Fitting, Straight	
303	2220810	2	Fitting, Reducer	
304	3600368	1	Gear Pump Assembly (Not Shown)	
305	4640744	2	Valve, Check	

SECTION 2 TURNTABLE

FIGURE 2-24. AUXILIARY PUMP ASSEMBLY



SECTION 2 TURNTABLE

FIGURE 2-24. AUXILIARY PUMP ASSEMBLY

ITEM #	PART NUMBER	QTY.	DESCRIPTION	REV.
		Ref	AUXILIARY PUMP ASSEMBLIES	
		Ref	Usage:	
	3600279	Ref	Original Equipment	
	3600423	Ref	Service Replacement	
		Ref	Note: Original Equipment pump may have been replaced with Service Replacement pump. Identify Pump by p/n before ordering replacement parts.	
	3600279	Ref	AUXILIARY PUMP ASSEMBLY (ORIGINAL EQUIPMENT)	B
1	7016768	1	Motor, Replacement	
	7013757	1	Brush Kit	
2	7016745	4	Capscrew, Socket Head 5/16in-24NF x 4-3/4in	
3	7013711	1	Coupling, Drive	
4	7016769	1	Bracket, Mounting	
5	7016744	2	Screw 5/16in-18NC x 1in	
6	7016746	1	Adapter, Mounting	
7	7013766	2	Pin (Not Shown)	
8	7013771	1	Pump, Replacement	
	7013701	1	Seal Kit - 7013701 Pump	
9	See Note	2	Valve, Check (Note: Not Available for Purchase)	
	3600423	Ref	AUXILIARY PUMP ASSEMBLY (SERVICE REPLACEMENT)	A
100	7011067	1	Motor & Adapter	
101	See Note	2	Setscrew (Note: Not Available - Purchase Locally)	
102	70000978	1	Pump Assembly (Includes Items 103-127)	
103	7011044	1	Gasket, Mounting	
104	7011016	1	Coupling	
105	70000969	1	Seal, Shaft	
106	Use 70000978	1	Stator	
107	Use 70000978	2	Cap Assembly	
108	Use 70000978	2	Spring	
109	Use 70000978	2	Ball	
110	Use 70000978	2	Seat	
111	70000976	6	Bearing, Needle	
112	Use 70000978	4	Washer	
113	Use 70000978	4	Screw	
114	70000970	4	Ring, Retaining	
115	70000971	4	Gear	
116	70000972	1	Shaft, Idler	
117	Use 70000978	4	Pin, Drive	
118	Use 70000978	4	Pin, Dowel	
119	70000973	1	Gasket	
120	Use 70000977	1	O-Ring	
121	Use 70000978	1	Housing, Gear	
122	See Note	1	Label (Note: Not Available for Purchase)	
123	7000974	1	Gasket	
124	Use 70000978	1	Housing, Gear	
125	Use 70000978	1	Plug	
126	Use 70000978	8	Screw	

SECTION 2 TURNTABLE

FIGURE 2-24. AUXILIARY PUMP ASSEMBLY (CONTINUED)

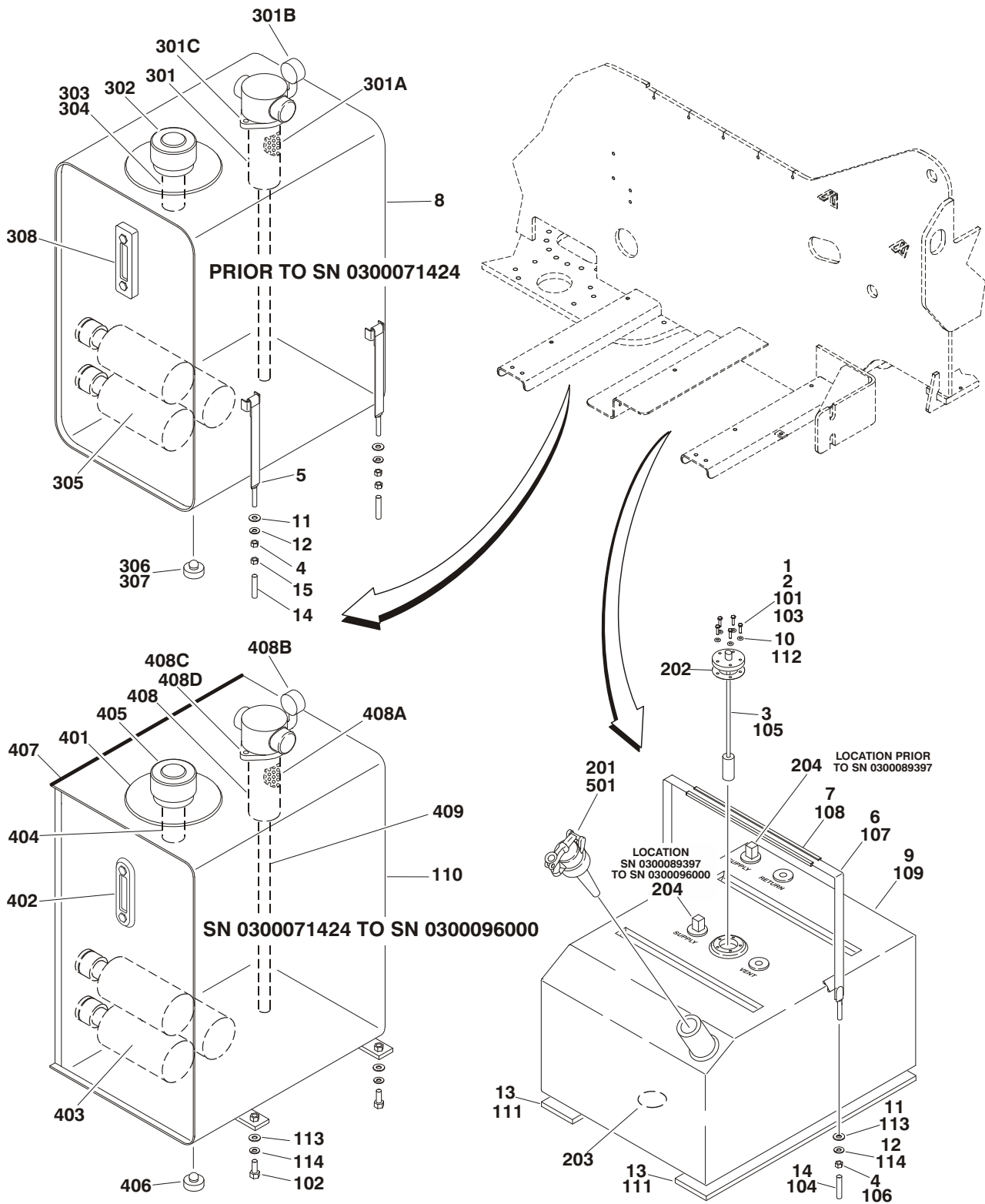
ITEM #	PART NUMBER	QTY.	DESCRIPTION	REV.
127	70000975	1	Shaft, Drive	
128	See Note	1	Label (Note: Not Available for Purchase)	
200		Ref	SEAL KIT OPTIONS	
200A	70000977	1	Seal Kit - 3600423 Assembly (Includes Items 103,105, 120 & Qty 2 O-Rings for Item 107)	
200B	70000978	1	Replacement Pump Kit (Includes Items 103-121 & 123-127)	

FIGURE 2-24. AUXILIARY PUMP ASSEMBLY (CONTINUED)

ITEM #	PART NUMBER	QTY.	DESCRIPTION	REV.

SECTION 2 TURNTABLE

FIGURE 2-25. TANK INSTALLATIONS



SECTION 2 TURNTABLE

FIGURE 2-25. TANK INSTALLATIONS

ITEM #	PART NUMBER	QTY.	DESCRIPTION	REV.
		Ref	TANKS INSTALLATION OPTIONS	
	0259143	Ref	Tanks Installation (Prior to SN 0300071424)	E
1	0100011	AR	Compound, Locking	
2	0731007	5	Screw, Indented #10-24NC	
3	2420191	1	Gauge, Fuel Level	
4	3311601	6	Nut 3/8in-16NC	
5	4240112	4	Strap, Tank Mount	
6	4240135	1	Strap, Tank Mount	
7	4280295	24in/61cm	Strip, Bumper	
8	4400423	1	Hydraulic Tank Assembly (See Items 301-308 for Breakdown)	
9	4400429	1	Tank, Fuel (See Items 201-204 for Breakdown)	
10	4751000	5	Flatwasher #10 Regular	
11	4751600	6	Flatwasher 3/8in Regular	
12	4761600	6	Lockwasher 3/8in	
13	4420038	4ft/1.3m	Tape, Rubber	
14	1120532	5	Cap, Protector	
15	3311602	4	Nut Jam 3/8in-16NC	
	0272731	Ref	Tank Installation SN 0300071424 to SN 0300096000	B
101	0100011	AR	Compound, Locking	
102	0641608	4	Bolt 3/8in-16NC x 1in	
103	0731007	5	Screw, Indented #10-24NC	
104	1120532	2	Cap, Protector	
105	2420191	1	Gauge, Fuel Level	
106	3311601	2	Nut 3/8in-16NC	
107	4240135	1	Strap, Tank Mount	
108	4280295	2.2ft/0.7m	Strip, Bumper	
109	4400429	1	Tank, Fuel (See Items 201-204 for Breakdown)	
110	4400450	1	Hydraulic Tank Assembly (See Items 401-409 for Breakdown)	
111	4420038	6ft/1.8m	Tape, Rubber	
112	4751000	5	Flatwasher #10 Regular	
113	4751600	6	Flatwasher 3/8in Regular	
114	4761600	6	Lockwasher 3/8in Regular	
	4400429	Ref	FUEL TANK ASSEMBLY	D
201	See Note	1	Cap, Fill (Note: Tank Includes Non-Locking Cap) (Note: See Item 501)	
202	7016680	1	Gasket, Cover Plate	
203	See Note	1	Plug (Note: Not Available - Purchase Locally)	
204	7020043	1	Tube	

SECTION 2 TURNTABLE

FIGURE 2-25. TANK INSTALLATIONS (CONTINUED)

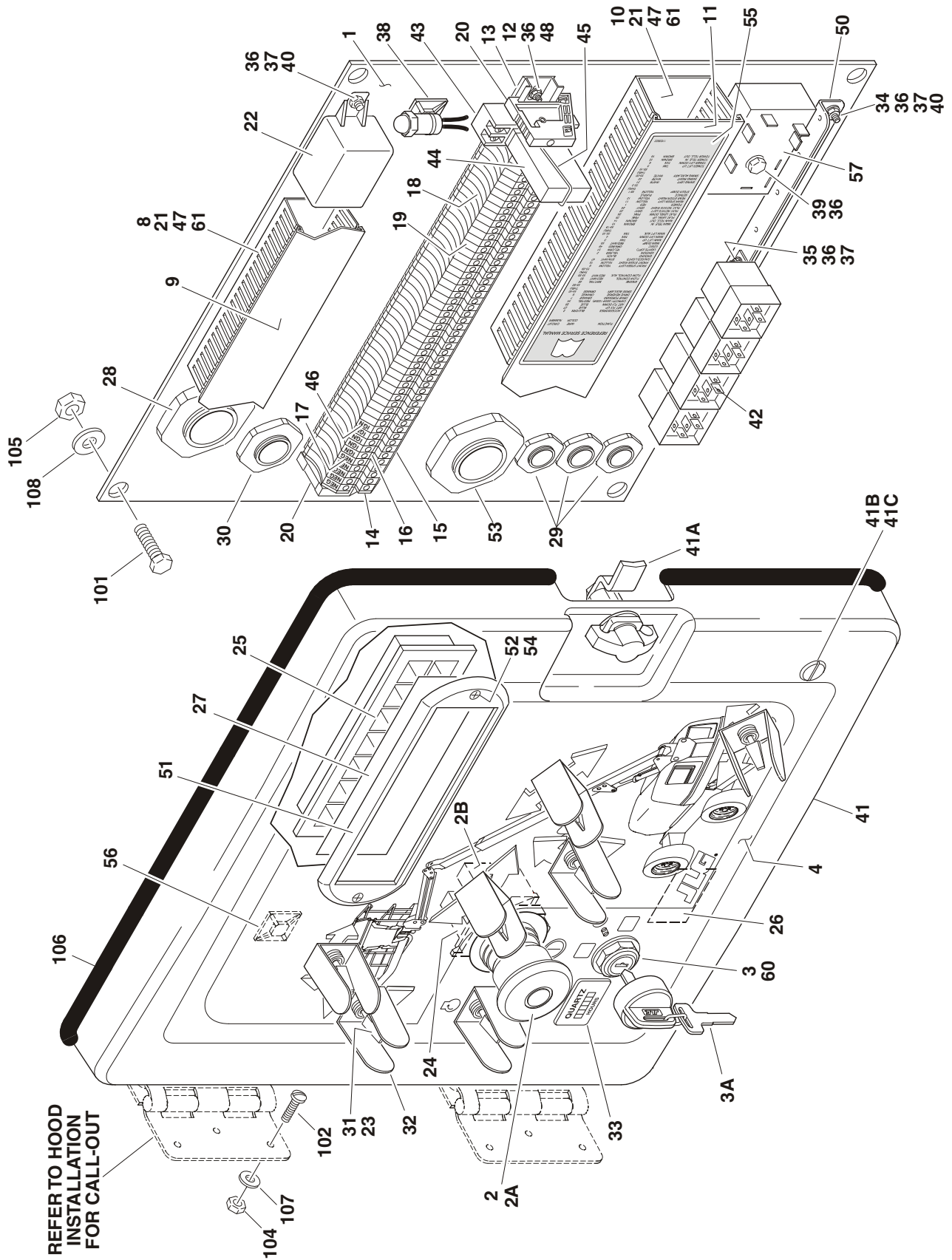
ITEM #	PART NUMBER	QTY.	DESCRIPTION	REV.
		Ref	HYDRAULIC TANK ASSEMBLY OPTIONS	
	4400423	Ref	Hydraulic Tank Assembly (Prior to SN 0300071424)	D
301	7020226	1	Filter	
301A	7023205	1	Element	
301B	See Note	1	Gauge, Pressure (Note: Not Available for Purchase)	
301C	7023306	1	Seal	
302	7020252	1	Cap, Fill	
303	7014810	1	Filler Neck Assembly	
304	7014816	1	Screen	
305	7014801	3	Strainer	
306	7014813	1	Plug, Magnetic	
307	7014812	1	Magnet	
308	7014802	1	Gauge, Sight	
	4400450	Ref	Hydraulic Tank Assembly SN 0300071424 to SN 0300096000	C
401	7024439	1	Cover	
	7024440		Gasket	
402	7024441	1	Gauge, Sight	
403	7024442	3	Strainer	
404	7024443	1	Filler Neck Assembly	
	7024445	1	Strainer	
405	7024444	1	Cap, Fill	
406	7024446	1	Plug, Magnetic	
407	4060803	22in/56cm	Flex-Trim	
408	7020226	1	Filter	
408A	7023205	1	Element	
408B	See Note	1	Gauge, Pressure (Note: Not Available for Purchase)	
408C	7023306	1	Seal	
408D	70002768	1	Spring	
409	70001863	1	Pipe	
501		Ref	FUEL CAP OPTIONS:	
	1120484		Locking Cap (Red)	
	1120487		Locking Cap (Blue)	
	7016314		Standard Non-Locking Cap	

FIGURE 2-25. TANK INSTALLATIONS (CONTINUED)

ITEM #	PART NUMBER	QTY.	DESCRIPTION	REV.

SECTION 2 TURNTABLE

FIGURE 2-26. GROUND CONTROL BOX ASSEMBLY WITHOUT ADE SYSTEM



SECTION 2 TURNTABLE

FIGURE 2-26. GROUND CONTROL BOX ASSEMBLY WITHOUT ADE SYSTEM

ITEM #	PART NUMBER	QTY.	DESCRIPTION	REV.
		Ref	GROUND CONTROL BOX ASSEMBLIES	
	0861340	Ref	400S with Deutz Engine	5/C
	0861337	Ref	400S with Ford Engine	7/D
	0861462	Ref	400S with Isuzu Engine	1/A
	0861341	Ref	460SJ with Deutz Engine	5/C
	0861339	Ref	460SJ with Ford Engine	5/D
	0861463	Ref	460SJ with Isuzu Engine	1/A
1	3572003	1	Plate	
2	4360475	1	Switch, Emergency Stop	
2A	7020175	1	Cap, Mushroom Head	
2B	7020176	1	Block, Contact	
3	4360469	1	Switch, Key	
3A	2860030	1	Key	
4		1	Decal - Faceplate Options:	
	1704465		400S	
	1704466		460SJ	
5		1	Engine Harness Assembly (Not Shown - See ELECTRICAL SECTION for Breakdown)	
	4922347		Deutz Engine Machines	
	4922344		Ford Engine Machines	
	4922601		Isuzu Engine Machines	
6	4922346	1	Valve Harness Assembly (Not Shown - See ELECTRICAL SECTION for Breakdown)	
7		1	Ground Control Box Harness Assembly (Not Shown - See ELECTRICAL SECTION for Breakdown)	
	4922349		Deutz/Isuzu Engine Machines	
	4922348		Ford Engine Machines	
8	1840020	1	Duct, Wiring - 2in/5cm	
9	1840013	1	Duct, Cover - 2in/5cm	
10	1840014	1	Duct, Wiring - 3in/7.6cm	
11	1840015	1	Duct, Cover - 3in/7.6cm	
12	0731004	2	Screw #10-32NF x 1/2in	
13	3641182	1	Rail	
14	4460602	1	Barrier, Terminal	
15	4460601	10	Block, Terminal	
16	4460603	1	Bussbar - 10 Position (Requires being cut into (2) 5 position bussbars)	
17	4460631	1	Marker, Terminal (Negative)	
18	4460600	46	Block, Terminal	
19	4460628	2	Marker, Terminal (1-50)	
20	4460607	2	Stop, Terminal	
21	4750600	4	Flatwasher #6 Regular	
22	3740112	1	Relay, Bosch	
23	4360314	AR	Switch, Toggle	
24	4360476	1	Switch, Contact Block	
25	2760105	1	Housing, Display Light	
26	4420038	1ft/.3m	Insulation, Adhesive Foam	
27	1702610	1	Decal - Ground Control Display	
28	4460526	1	Connector, Strain Relief	

SECTION 2 TURNTABLE

FIGURE 2-26. GROUND CONTROL BOX ASSEMBLY WITHOUT ADE SYSTEM (CONTINUED)

ITEM #	PART NUMBER	QTY.	DESCRIPTION	REV.
29	4460428	3	Connector, Strain Relief	
30	4460426	1	Connector, Strain Relief	
31	4740444	AR	Washer, Special	
32	4060906	AR	Shield, Toggle Switch	
33	2420172	1	Gauge, Hourmeter	
34	0721005	AR	Screw #10-24NC x 5/8in	
35	3311001	AR	Nut #10-24NC	
36	4751000	AR	Flatwasher #10 Regular	
37	0721004	AR	Screw #10-24NC x 1/2in	
38		AR	Switch, Sealed Push Button	
	Not Required	0	Deutz Engine Machines	
	4360387	1	Ford Engine Machines	
39	0721010	AR	Screw #10-24NC x 1-1/4in	
40	0100011	AR	Compound, Locking	
41	1780307	1	Lid Assembly	
41A	2940073	1	Latch	
41B	7024319	2	Screw	
41C	7024320	2	Retainer	
42	3740049	AR	Relay	
43		AR	Socket, Relay	
	Not Required	0	Deutz/Isuzu Engine Machines	
	4120012	1	Ford Engine Machines	
44		AR	Relay Options:	
	Not Required	0	Deutz/Isuzu Engine Machines	
	3740057	1	Ford Engine Machines	
45		AR	Spring, Relay	
	Not Required	0	Deutz/Isuzu Engine Machines	
	3740066	2	Ford Engine Machines	
46	4460630	1	Marker, Terminal (Ignition)	
47	4760600	4	Lockwasher #6	
48	4761000	2	Lockwasher #10	
49	Not Used			
50	3539275	1	Bracket, Relay Mounting	
51	1670829	1	Bezel	
52	0630518	2	Capscrew, Button Head	
53	4460711	1	Connector, Strain Relief	
54	3300408	AR	Locknut, Plastic Insert	
55	1703622	1	Decal - Service Manual Reference	
56	4460234	AR	Base, Tie-Strap	
57		AR	Relay, Timer Options:	
	Not Required	0	Deutz/Isuzu Engine Machines	
	3740113	1	Ford Engine Machines	
58 to 59	Not Used			
60	3910804	6	Screw #8-32NC x 1/4in	
61	3910608	4	#6-32NC x 1/2in	

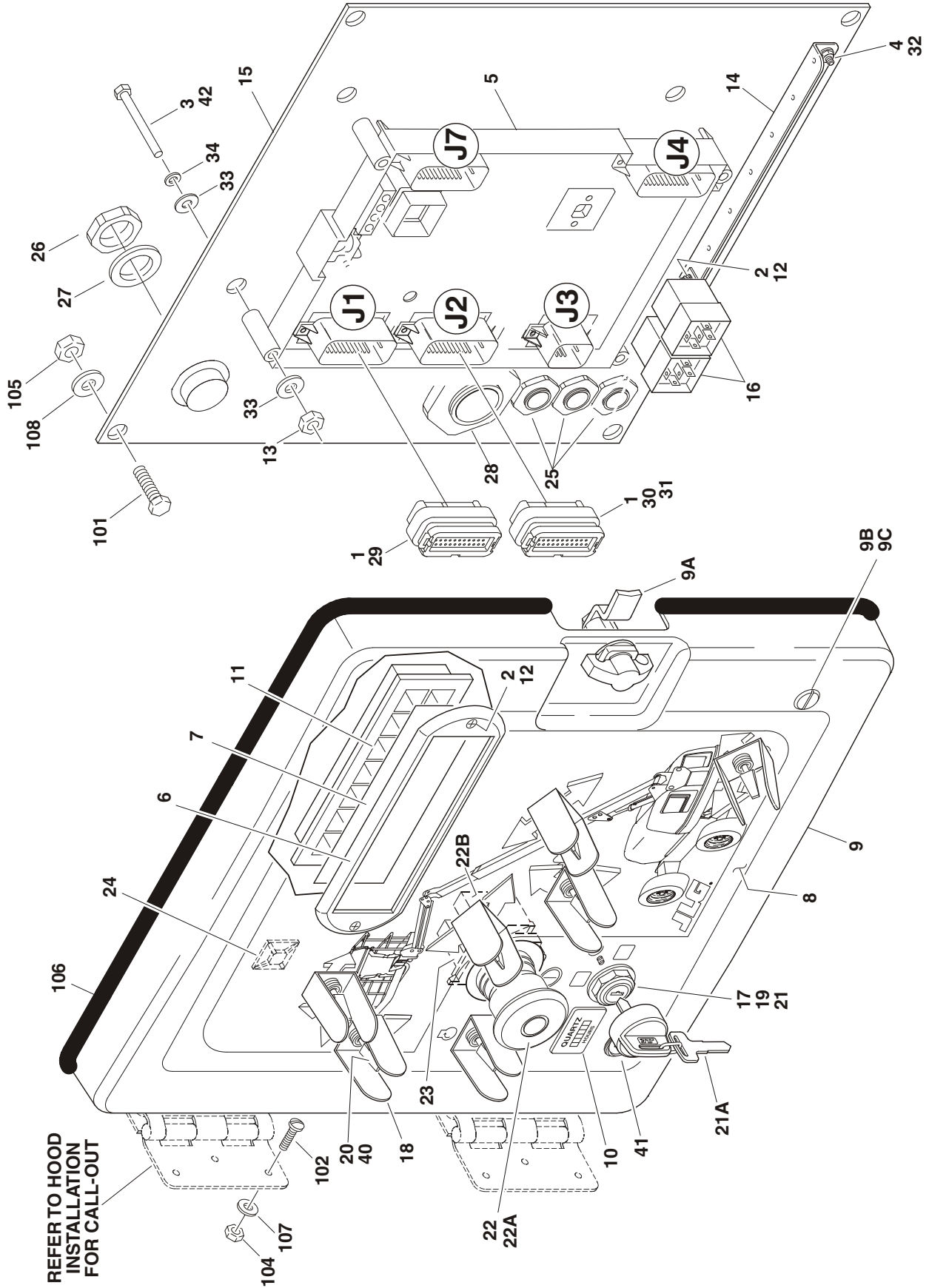
SECTION 2 TURNTABLE

FIGURE 2-26. GROUND CONTROL BOX ASSEMBLY WITHOUT ADE SYSTEM (CONTINUED)

ITEM #	PART NUMBER	QTY.	DESCRIPTION	REV.
		Ref	GROUND CONTROL BOX INSTALLATIONS	
	0861280	Ref	400S with Deutz Engine	1
	0861278	Ref	400S with Ford Engine	2
	0861281	Ref	460SJ with Deutz Engine	1
	0861279	Ref	460SJ with Ford Engine	1
101	0641406	4	Bolt 1/4in-20NC x 3/4in	
102	0720805	6	Screw, Machine #8-32NC	
103	Not Used			
104	3310805	6	Locknut #8-32NC	
105	3311405	4	Locknut 1/4in-20NC	
106	3960438	AR	Seal	
107	4750800	6	Flatwasher #8 Regular	
108	4751400	8	Flatwasher 1/4in Regular	

SECTION 2 TURNTABLE

FIGURE 2-27. GROUND CONTROL BOX ASSEMBLY WITH ADE SYSTEM



SECTION 2 TURNTABLE

FIGURE 2-27. GROUND CONTROL BOX ASSEMBLY WITH ADE SYSTEM

ITEM #	PART NUMBER	QTY.	DESCRIPTION	REV.
		Ref	GROUND CONTROL BOX ASSEMBLIES	
	0861591	Ref	400S with Caterpillar Engine (Prior to SN 0300087630)	C
	0861706	Ref	400S with Caterpillar Engine (SN 0300087630 to SN 0300096000)	D
	0861434	Ref	400S with Deutz Engine (Prior to SN 0300064404)	D
	0861496	Ref	400S with Deutz Engine (SN 0300064404 to SN 0300085617)	F
	0861736	Ref	400S with Deutz Engine (SN 0300085617 to SN 0300096000)	B
	0861432	Ref	400S with Ford Engine (Prior to SN 0300064404)	D
	0861494	Ref	400S with Ford Engine (SN 0300064404 to SN 0300087630)	G
	0861710	Ref	400S with Ford Engine (SN 0300087630 to SN 0300096000)	D
	0861774	Ref	400S with GM Engine	B
	0861592	Ref	460SJ with Caterpillar Engine (Prior to SN 0300087630)	C
	0861707	Ref	460SJ with Caterpillar Engine (SN 0300087630 to SN 0300096000)	D
	0861435	Ref	460SJ with Deutz Engine (Prior to SN 0300064404)	D
	0861499	Ref	460SJ with Deutz Engine (SN 0300064404 to SN 0300085617)	G
	0861739	Ref	460SJ with Deutz Engine (SN 0300085617 to SN 0300096000)	C
	0861433	Ref	460SJ with Ford Engine (Prior to SN 0300064404)	D
	0861495	Ref	460SJ with Ford Engine (SN 0300064404 to SN 0300087630)	G
	0861711	Ref	460SJ with Ford Engine (SN 0300087630 to SN 0300096000)	D
	0861773	Ref	460SJ with GM Engine	B
1	0100048	AR	Grease, Dielectric	
2	0630518	5	Capscrew, Button Head	
3	0630548	5	Tap Bolt, 2-1/2in	
4	0721004	2	Screw #10-24NC x 1/2in	
5		1	Module, Ground Control Options (Re-calibration Required when Replaced):	
	Use 2910752		Prior to SN 0300064404 (Caterpillar/Deutz/Ford Engine) (was p/n 1600312)	
	Use 2915014		SN 0300064404 to SN 0300077554 (Caterpillar/Deutz/Ford Engine) (was p/n 1600327)	
	1600364		SN 0300077554 to SN SN 0300096000 (Caterpillar/Ford Engine)	
	1600364		SN 0300077554 to SN 0300085617 (Deutz Engine)	
	1600411		SN 0300085617 to SN 0300096000 (Deutz & GM Engine)	
6	1670829	1	Bezel	
7		1	Decal - Ground Control Display Options:	
	1702610		Caterpillar & Ford Engine Machines Prior to SN 0300085617	
	1705753		Caterpillar & Ford Engine Machines SN 0300085617 to SN 0300093233	
	1706712		Caterpillar & Ford Engine Machines SN 0300093233 to SN 0300096000	
	1702610		Deutz Engine Machines Prior to SN 0300085617	
	1705753		Deutz & GM Engine Machines SN 0300085617 to SN 0300093233	
	1706712		Deutz & GM Engine Machines SN 0300093233 to SN 0300096000	

SECTION 2 TURNTABLE

FIGURE 2-27. GROUND CONTROL BOX ASSEMBLY WITH ADE SYSTEM (CONTINUED)

ITEM #	PART NUMBER	QTY.	DESCRIPTION	REV.
8		1	Decal - Faceplate Options:	
	1704465		400S	
	1704466		460SJ	
9	1780307	1	Lid Assembly	
9A	2940073	1	Latch	
9B	7024319	2	Screw	
9C	7024320	2	Retainer	
10	2420172	1	Gauge, Hourmeter	
11	2760105	1	Housing, Display Light	
12	3300408	5	Locknut, Plastic Insert	
13	3311401	10	Nut 1/4in-20NC	
14	3539275	1	Bracket, Relay Mounting	
15	3572827	1	Plate	
16	3740049	AR	Relay	
17	3910804	6	Screw #8-32NC x 1/4in	
18	4060906	AR	Shield, Toggle Switch	
19	4070987	1	Shim.015	
20	4360328	AR	Switch, Toggle	
21	4360469	1	Switch, Key	
21A	2860030	1	Key	
22	4360475	1	Switch, Emergency Stop	
22A	7020175	1	Cap, Mushroom Head	
22B	7020176	1	Block, Contact	
23	4360476	1	Switch, Contact Block	
24	4460234	AR	Base, Tie-Strap	
25	4460428	3	Connector, Strain Relief	
26	4460470	1	Nut, Terminal	
27	4460471	1	Washer, Terminal	
28	4460526	1	Connector, Strain Relief	
29	4460874	1	Connector, Natural	
30	4460875	1	Connector, Gray	
31	4460905	4	Connector, Amp Seal Plug	
32	4751000	2	Flatwasher #10 Regular	
33	4751400	20	Flatwasher 1/4in Regular	
34	4761400	15	Lockwasher 1/4in	
35		1	Engine Harness Assembly (Not Shown - See ELECTRICAL SECTION for Breakdown)	
	4922880		Caterpillar Engine Machines (Prior to SN 0300087630)	
	4923234		Caterpillar Engine Machines (SN 0300087630 to SN 0300091230)	
	4923356		Caterpillar Engine Machines (SN 0300091230 to SN 0300096000)	
	4922537		Deutz Engine Machines Prior to SN 0300085617	
	4923260		Deutz Engine Machines SN 0300085617 to SN 0300096000	
	4922536		Ford Engine Machines (Prior to SN 0300087630)	
	4923235		Ford Engine Machines (SN 0300087630 to SN 0300096000)	
	4923419		GM Engine Machines	
36	4922538	1	Valve Harness Assembly (Not Shown - See ELECTRICAL SECTION for Breakdown)	

SECTION 2 TURNTABLE

FIGURE 2-27. GROUND CONTROL BOX ASSEMBLY WITH ADE SYSTEM (CONTINUED)

ITEM #	PART NUMBER	QTY.	DESCRIPTION	REV.
37		1	Ground Control Box Harness Assembly (Not Shown - See ELECTRICAL SECTION for Breakdown)	
	4922664		Caterpillar Engine Machines (Prior to SN 0300087630)	
	4923236		Caterpillar Engine Machines (SN 0300087630 to SN 0300091230)	
	4923456		Caterpillar Engine Machines (SN 0300091230 to SN 0300096000)	
	4922540		Deutz Engine Machines (Prior to SN 0300064404)	
	4922664		Deutz Engine Machines (SN 0300064404 to SN 0300085617)	
	4923261		Deutz Engine Machines (SN 0300085617 to SN 0300096000)	
	4922539		Ford Engine Machines (Prior to SN 0300064404)	
	4922663		Ford Engine Machines (SN 0300064404 to SN 0300067471)	
	4922664		Ford Engine Machines (SN 0300067471 to SN 0300087630)	
	4923236		Ford Engine Machines (SN 0300087630 to SN 0300096000)	
	4923261		GM Engine Machines	
38		1	Harness, Analyzer Cable Options (Not Shown - See ELECTRICAL SECTION for Breakdown):	
	4922485		All Machines Prior to SN 0300064404	
	4922666		All Machines SN 0300064404 to SN 0300085617	
	4922666		Caterpillar & Ford Engine Machines SN 0300085617 to SN 0300096000	
	Not Required		Deutz & GM Engine Machines SN 0300085617 to SN 0300096000	
39	Not Used			
40	3790012	7	O-Ring	
41	1705132	1	Decal - ADE Control (SN 0300067471 to SN 0300096000)	
42	0100011	AR	Compound, Locking	

SECTION 2 TURNTABLE

FIGURE 2-27. GROUND CONTROL BOX ASSEMBLY WITH ADE SYSTEM (CONTINUED)

ITEM #	PART NUMBER	QTY.	DESCRIPTION	REV.
		Ref	GROUND CONTROL BOX INSTALLATIONS	
	0272938	Ref	400S with Caterpillar Engine (Prior to SN 0300087630)	2
	0274415	Ref	400S with Caterpillar Engine (SN 0300087630 to SN 0300096000)	1
	0271078	Ref	400S with Deutz Engine (Prior to SN 0300064404)	4
	0271657	Ref	400S with Deutz Engine (SN 0300064404 to SN 0300096000)	4
	0271076	Ref	400S with Ford Engine (Prior to SN 0300064404)	3
	0271662	Ref	400S with Ford Engine (SN 0300064404 to SN 0300087630)	4
	0274419	Ref	400S with Ford Engine (SN 0300087630 to SN 0300096000)	2
	0275059	Ref	400S with GM Engine	1
	0272939	Ref	460SJ with Caterpillar Engine (Prior to SN 0300087630)	2
	0274416	Ref	460SJ with Caterpillar Engine (SN 0300087630 to SN 0300096000)	1
	0271079	Ref	460SJ with Deutz Engine (Prior to SN 0300064404)	3
	0271661	Ref	460SJ with Deutz Engine (SN 0300064404 to SN 0300096000)	4
	0271077	Ref	460SJ with Ford Engine (Prior to SN 0300064404)	3
	0271659	Ref	460SJ with Ford Engine (SN 0300064404 to SN 0300087630)	4
	0274420	Ref	460SJ with Ford Engine (SN 0300087630 to SN 0300096000)	2
	0275060	Ref	460SJ with GM Engine	1
101	0641406	4	Bolt 1/4in-20NC x 3/4in	
102	0720805	6	Screw, Machine #8-32NC	
103	Not Used			
104	3310805	6	Locknut #8-32NC	
105	3311405	4	Locknut 1/4in-20NC	
106	3960438	AR	Seal	
107	4750800	6	Flatwasher #8 Regular	
108	4751400	8	Flatwasher 1/4in Regular	

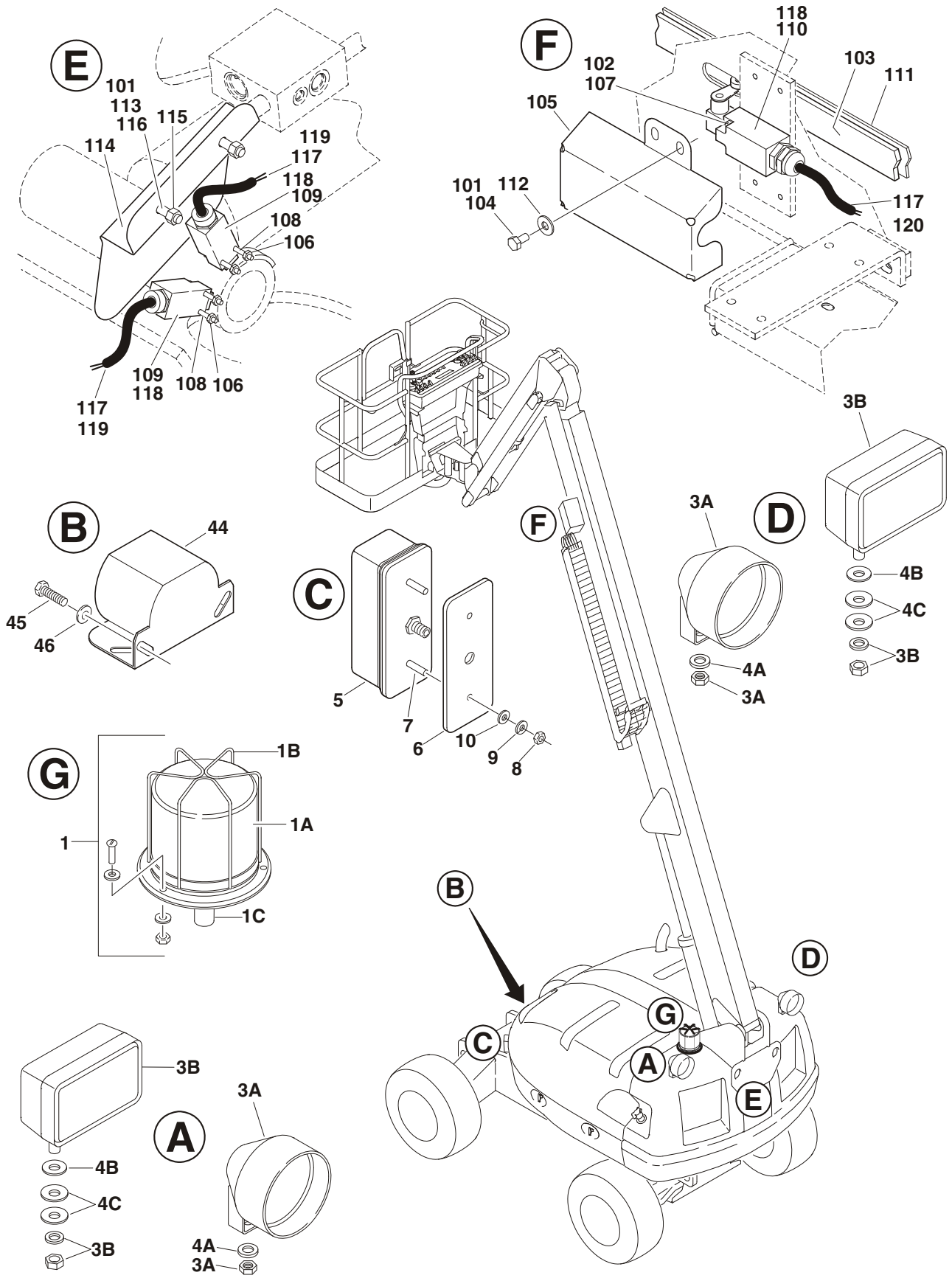
SECTION 2 TURNTABLE

FIGURE 2-27. GROUND CONTROL BOX ASSEMBLY WITH ADE SYSTEM (CONTINUED)

ITEM #	PART NUMBER	QTY.	DESCRIPTION	REV.

SECTION 2 TURNTABLE

FIGURE 2-28. ELECTRICAL OPTIONS INSTALLATION (TURNTABLE MOUNTED)



SECTION 2 TURNTABLE

FIGURE 2-28. ELECTRICAL OPTIONS INSTALLATION (TURNTABLE MOUNTED)

ITEM #	PART NUMBER	QTY.	DESCRIPTION	REV.
		Ref	STROBE LIGHT INSTALLATIONS (AMBER) (OPTIONAL)	
	0270160	Ref	Without ADE System	1
	0271342	Ref	With ADE System	2
		Ref	Note: If machine is equipped with BLUE Strobe Light, see Section 10 SkyGuard Kit.	
1	0255917	1	Strobe Light/Guard/Harness Assembly	2/B
1A	Use 0255917		Strobe Light - ECCO Model 6640 (was p/n 2920130)	
	Use 0255917		Strobe Light - ECCO Model 6650 (was p/n 2920214)	
		1	Bulb, Replacement Options:	
	7016380		Bulb for ECCO Model 6640	
	70001941		Bulb for ECCO Model 6650	
1B		1	Guard Options:	
	4060907		Used with ECCO Model 6640	
	2920215		Used with ECCO Model 6650	
1C		1	Adapter Options:	
	0630491		Used with ECCO Model 6640	
	0080241		Used with ECCO Model 6650	
2	0100048	AR	Sealant, Silicone (Not Shown)	
		Ref	LIGHTS INSTALLATIONS (OPTIONAL)	
	0270159	Ref	Headlights & Taillights Without ADE System	2
	0271343	Ref	Headlights & Taillights With ADE System (Prior to SN 0300064509)	2
	0272018	Ref	Headlights & Taillights With ADE System (SN 0300064509 to SN 0300096000)	1
	0274574	Ref	Chassis Illumination Lights	1/A
3		AR	Light Options:	
3A	2920110	2	Headlight Assembly (Round) (Includes Mounting Hardware)	
	7016628	2	Bulb, Replacement (1 Per Assembly)	
3B	2920157	2	Chassis Illumination Light Assembly (Rectangular) (Includes Mounting Hardware)	
	7024452	2	Bulb, Replacement (1 Per Assembly)	
4		AR	Washer Options:	
4A	4740076	2	Washer, Fender (Use with Headlights & Taillights)	
4B	4740274	2	Washer, Snubbing (Use with Illumination Lights)	
4C	4740546	4	Washer, Rubber Cushioning (Use with Illumination Lights)	
5	2920113	2	Taillight Assembly	
6	3960461	2	Gasket	
7	3911040	4	Screw, Machine #10-24NC x 2-1/2in	
8	3311005	4	Nut #10-24NC	
9	4751000	4	Flatwasher #10 Regular	
10	4740362	4	Washer, Fender	
11	4460234	14	Mount, Tie-Strap (Not Shown)	
12	4240032	14	Tie-Strap (Not Shown)	
13	Not Used			
14	4360336	1	Switch, Toggle - SPST (Not Shown - Located on Console)	
15	3790012	1	O-Ring (Not Shown - Located on Console)	

SECTION 2 TURNTABLE

**FIGURE 2-28. ELECTRICAL OPTIONS INSTALLATION (TURNTABLE MOUNTED)
(CONTINUED)**

ITEM #	PART NUMBER	QTY.	DESCRIPTION	REV.
16 to 43	Not Used			
	0258308	Ref	ALARMS INSTALLATIONS	2
44	See Note	1	Alarm/Harness Assembly (was p/n 0257887) (Note: Not Available - Purchase individual parts)	
	0140032	1	Alarm	
	2820035	6in/15cm	Loom	
	4460424	1	Plug, Male - 2 Position	
	4460268	2	Socket, Female	
45	0641406	2	Bolt 1/4in-20NC x 3/4in	
46	4711400	2	Flatwasher 1/4in Thin	
47	0100048	AR	Sealant, Silicone (Not Shown)	
		Ref	LIMIT SWITCHES INSTALLATIONS - 400S	
	0259157	Ref	400S with 500/1000LB. Capacity (Without ADE System)	I
	0271164	Ref	400S with 500/1000LB. Capacity (With ADE System)	E
	0259852	Ref	400S with 750/1000LB. Capacity (Without ADE System)	I
	0271165	Ref	400S with 750/1000LB. Capacity (With ADE System)	E
	0259857	Ref	460SJ (Without ADE System)	E
	0271166	Ref	460SJ (With ADE System)	D
101	0100011	AR	Compound, Locking	
102	0100035	AR	Compound, Locking	
103		AR	Bar, Fiberglass Options:	
	0362528	1	400S with 500/1000LB. Capacity	
	0362909	1	400S with 750/1000LB. Capacity	
	Not Required	0	460SJ	
104	0641404	4	Bolt #8-32NC x 1/2in (400S Only)	
105		AR	Cover, Limit Switch Options:	
	1670824	1	400S	
	Not Required	0	460SJ	
106	3311005	4	Locknut #10-24NC	
107	3930816	2	Capscrew, Socket Head #8-32NC x 1in (400S Only)	
108	3931028	4	Capscrew, Socket Head #10-24NC x 1-3/4in	
109		2	Switch, Limit Options:	
	Use 4360548		Prior to SN 0300074316 (was p/n 4360321)	
	4360548		SN 0300074316 to SN 0300096000	
110		AR	Switch, Limit Options:	
	Use 4360549	1	400S Prior to SN 0300074316 (was p/n 4360322)	
	4360549	1	400S SN 0300074316 to SN 0300096000	
	Not Required	0	460SJ	
111	4420060	9ft/2.7m	Tape, Double Sided (400S Only)	
112	4751400	4	Flatwasher 1/4in Regular (400S Only)	
113	0641610	2	Bolt 3/8in-16NC x 1-1/4in	
114	1670956	1	Cover, Limit Switch	
115	3311601	2	Nut 3/8in-16NC	
116	4711600	4	Flatwasher 3/8in Thin	

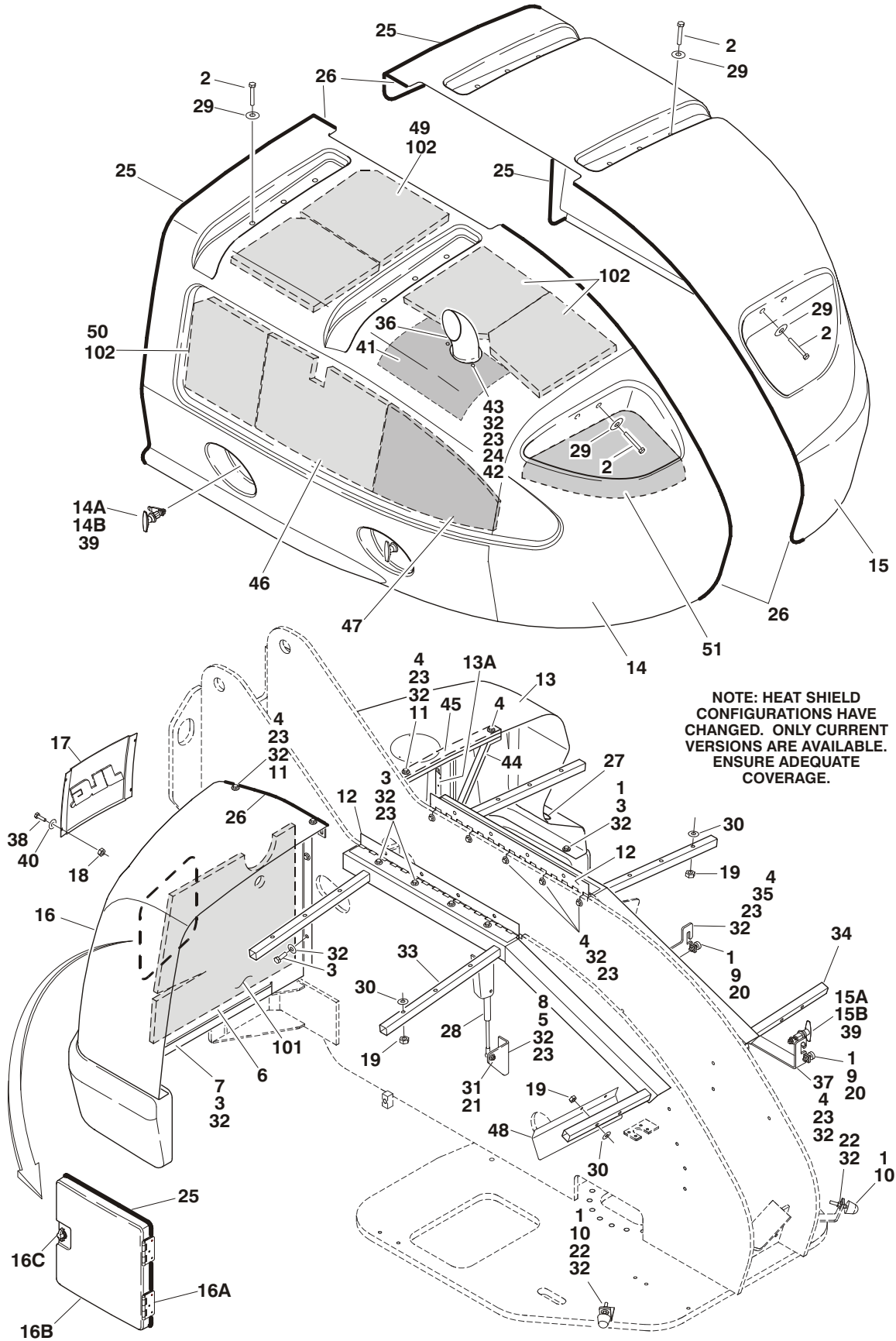
SECTION 2 TURNTABLE

**FIGURE 2-28. ELECTRICAL OPTIONS INSTALLATION (TURNTABLE MOUNTED)
(CONTINUED)**

ITEM #	PART NUMBER	QTY.	DESCRIPTION	REV.
117		AR	Cable, Electrical Options:	
	1060341	37ft/11.3m	400S Without ADE System (Cable, Electrical - 16/2)	
	1060680	42.5ft/13m	400S With ADE System Prior to SN 0300068739 (Cable, Electrical - 18/2)	
	See Note		400S With ADE System SN 0300068739 to SN 0300096000 to SN 0300096000 (Note: Refer to Items 119 & 120)	
	1060341	6ft/1.8m	460SJ Without ADE System (Cable, Electrical - 16/2)	
	1060680	8.5ft/2.6m	460SJ With ADE System Prior to SN 0300068739 (Cable, Electrical - 18/2)	
	See Note		460SJ With ADE System SN 0300068739 to SN 0300096000 (Note: Refer to Item 119)	
118		AR	Connector, Strain Relief Options:	
	4460428		Prior to SN 0300074316 (Use with p/n 4360322 & 4360321)	
	4460968		SN 0300074316 to SN 0300096000 (Use with p/n 4360549 & 4360548)	
119	4922714	2	Cable, Electrical - 18/2 (Includes Items 109 & 118) (SN 0300068739 to SN 0300096000)	B
	1060609	8.5ft/2.6m	Cable, Electrical - 18/2	
120	4922769	1	Cable, Electrical - 18/2 (400S SN 0300068739 to SN 0300096000 Only)	
	1060680	26.5ft/8.1m	Cable, Electrical - 18/2	

SECTION 2 TURNTABLE

FIGURE 2-29. HOODS INSTALLATION



SECTION 2 TURNTABLE

FIGURE 2-29. HOODS INSTALLATION

ITEM #	PART NUMBER	QTY.	DESCRIPTION	REV.
		Ref	HOODS INSTALLATIONS	
	0259141	Ref	Caterpillar & Deutz Machines	J
	0259141	Ref	Ford Machines w/Tier I Engines	J
	0274016	Ref	Ford Machines w/Tier II Engines	B
	0274016	Ref	GM Machines	B
1	0100011	AR	Compound, Locking (Not Shown)	
2	0641416	16	Bolt 1/4in-20NC x 2in	
3	0641608	13	Bolt 3/8in-16NC x 1in	
4	0641610	18	Bolt 3/8in-16NC x 1-1/4in	
5	0641612	5	Bolt 3/8in-16NC x 1-3/4in	
6	0861320	1	Plate, Storage (Prior to SN 0300072073 Only)	
7	0861327	1	Plate, Storage (Prior to SN 0300072073 Only)	
8	0902669	2	Angle, Mounting	
9	0940049	2	Stopper, Hood	
10	0940071	2	Bumper	
11	2540035	5	Grommet	
12	2600209	2	Hinge, Hood	
13	2680463	1	Cover, Hood (Front Right Side)	G
13A	2600258	2	Hinge, Ground Control Lid	
14		1	Hood (Engine Side) Options:	
		Ref	Note: Replacement decals must be ordered separately - See DECAL SECTION.	
	Use 1001097963		Hood Kit for Caterpillar & Deutz Machines (Includes Non-Lockable Hood with Current Heat Shields) (was p/n 2680464)	
	Use 1001097963		Hood Kit for Ford Machines w/Tier I Engines (Includes Non-Lockable Hood & with Current Heat Shields) (was p/n 2680464)	
	Use 1001097962		Hood Kit for Ford Machines w/Tier II Engines & All GM Machines (Includes Non-Lockable Hood & with Current Heat Shields) (was p/n 1671170)	
14A		2	Latch Options:	
	2940117		Non-Lockable	
	7027858		Lockable	
14B	0902668	2	Catch, Hood Latch (SN 0300067320 to SN 0300096000)	
15	2680465	1	Hood (Tank Side)	G
		Ref	Note: Replacement decals must be ordered separately - See DECAL SECTION.	
15A		2	Latch Options:	
	2940117		Non-Lockable	
	7027858		Lockable	
15B	0902668	2	Catch, Hood Latch (SN 0300067320 to SN 0300096000)	
16		1	Cover, Hood (Front Left Side) Options:	
	2680516		Cover without Storage Compartment (SN 0300072073 to SN 0300096000)	A
	2680466		Cover with Storage Compartment (Prior to SN 0300072073) (Includes Items 16A, 16B & 16C)	G
16A	2600258	2	Hinge, Door	
16B	1780305	1	Door	
16C	2940073	1	Latch	

SECTION 2 TURNTABLE

FIGURE 2-29. HOODS INSTALLATION (CONTINUED)

ITEM #	PART NUMBER	QTY.	DESCRIPTION	REV.
17	2680471	1	Cover, Hood (Front Center)	D
18	3300441	4	Nut, Tinnerman	
19	3311405	16	Locknut 1/4in-20NC	
20	3311501	4	Nut 5/16in-18NC	
21	3311505	4	Locknut 5/16in-18NC	
22	3311601	4	Nut 3/8in-16NC	
23	3311605	34	Locknut 3/8in-16NC	
24	3900232	3	Capscrew, Button Head 3/8in-16NC 1-1/4in	
25	3960438	10ft/3m	Seal, Hood (Prior to SN 0300072073 Only)	
26	3960389	27ft/8.2m	Seal, Hood	
27	4060805	1ft/30cm	Flex-Trim	
28	4160182	2	Spring, Gas	
29	4740362	16	Washer, Fender	
30	4751400	16	Flatwasher 1/4in Regular	
31	4751500	4	Flatwasher 5/16in Regular	
32	4751600	74	Flatwasher 3/8in Regular	
33	4846092	1	Hood Mounting Weldment (Engine Side)	
34	4846095	1	Hood Mounting Weldment (Tank Side)	
35	4846100	1	Latch, Hood	
36		1	Exhaust Tube Weldment Options:	
	4846110		All Machines Prior to SN 0300078473	F
	4846110		Caterpillar & Deutz Machines SN 0300078473 to SN 0300096000	F
	3460375		Ford & GM Machines SN 0300078473 to SN 0300096000	A
37	4846111	1	Latch, Hood	
38	0750808	4	Screw	
39	0902668	4	Catch, Hood Latch (Prior to SN 0300067320)	
40	4740120	4	Washer, Nylon	
41		1	Insulation, Heat Shield (Silver) Options:	
	Use 2820181		Caterpillar/Deutz/Isuzu Engines (was p/n 2820129)	
	2820181		Ford & GM Engines (was p/n 2820129 Prior to SN 0300078473)	
		Ref	Note: Customer required to cut hole for exhaust stack on replacement head shield p/n 2820181.	
42	4061010	1	Shield, Heat Gasket	
43	4740500	3	Shoulder Washer, Nylon	
44	0902673	1	Bracket, Front Cover Support	
45	0902674	1	Bracket, Front Cover Support	
46	Use 1001101835	1	Insulation, Heat Shield (Silver) (was p/n 2820128)	
47	Use 1001101835	1	Insulation, Heat Shield (Silver) (was p/n 2820182 SN 0300078473 to SN 0300096000)	
48	3380569	1	Shield, Heat (Ford & GM Engine SN 0300078473 to SN 0300096000 Only)	
		Ref	Note: Items 49-51 are part of Item 14 Ford & GM Hood Kit p/n 1001097962. Item 51 is part of Item 14 Deutz & Caterpillar Hood Kit p/n 1001097963.	
49	Use 1001109402	1	Insulation, Heat Shield (Silver) (Ford & GM Engines)	
50	Use 1001109403	1	Insulation, Heat Shield (Silver) (Ford & GM Engines)	
51	Use 1001101836	1	Insulation, Heat Shield (Silver)	

SECTION 2 TURNTABLE

FIGURE 2-29. HOODS INSTALLATION (CONTINUED)

ITEM #	PART NUMBER	QTY.	DESCRIPTION	REV.
	0270354	Ref	NOISE REDUCTION INSTALLATION (DEUTZ MACHINES)	B
101	2820080	1	Insulation, Foam (Black) (Prior to SN 0300072073 Only)	
102	2820099	9	Insulation, Foam (Black)	

SECTION 2 TURNTABLE

FIGURE 2-29. HOODS INSTALLATION (CONTINUED)

ITEM #	PART NUMBER	QTY.	DESCRIPTION	REV.

SECTION 3 BOOM

SECTION 3 BOOM

FIGURE 3-1. BOOM INSTALLATIONS

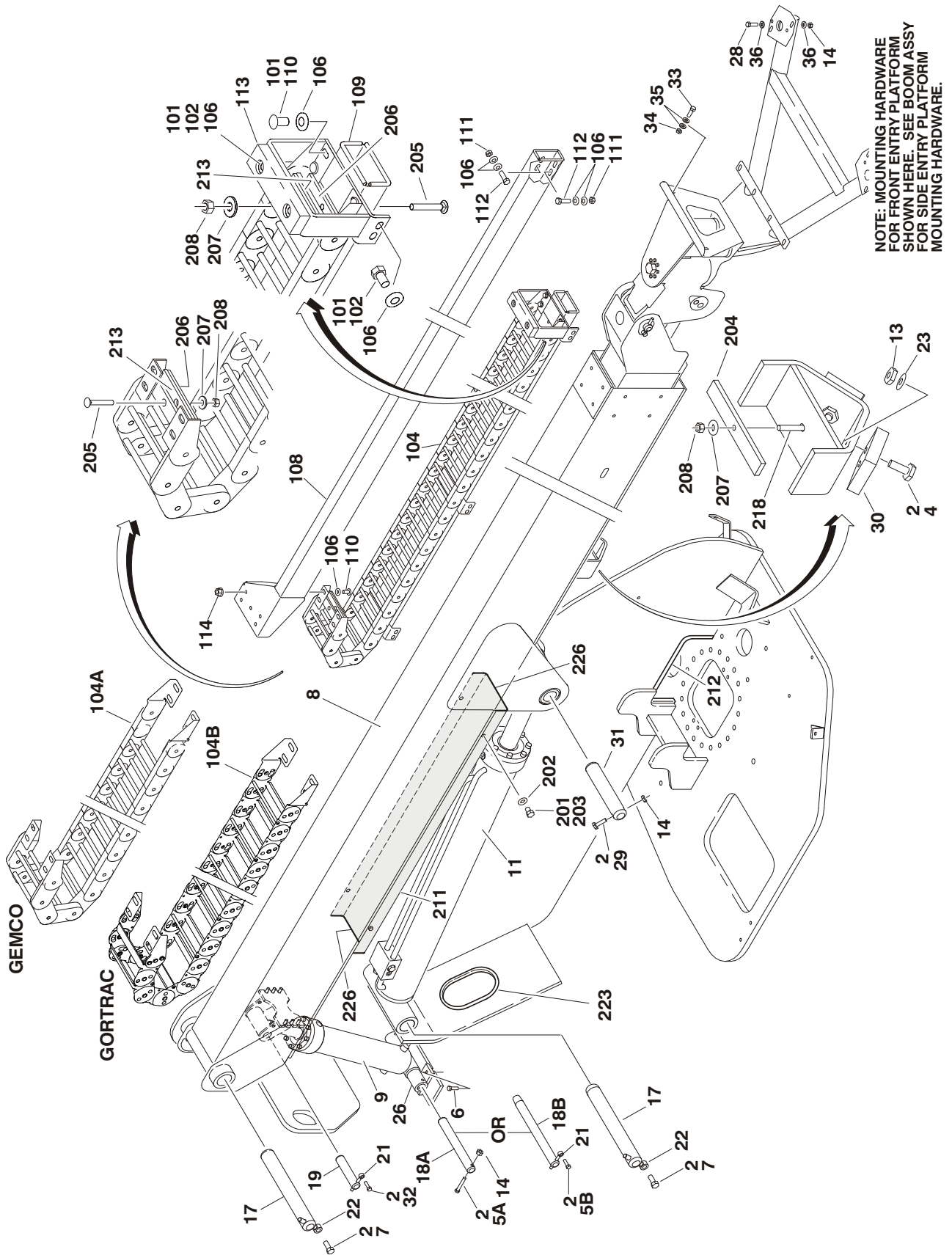


FIGURE 3-1. BOOM INSTALLATIONS

ITEM #	PART NUMBER	QTY.	DESCRIPTION	REV.
		Ref	BOOM AND CYLINDERS INSTALLATION	
	0259135	Ref	400S (Front Entry Platform)	H
	0272591	Ref	400S (Side Entry Platform Prior to SN 0300074573)	A
	0273065	Ref	400S (Side Entry Platform SN 0300074573 to SN 0300096000)	A
	0259136	Ref	460SJ (Front Entry Platform)	F
	0272592	Ref	460SJ (Side Entry Platform Prior to SN 0300074573)	A
	0272999	Ref	460SJ (Side Entry Platform SN 0300074573 to SN 0300096000)	A
1	Not Used			
2	0100011	AR	Compound, Locking	
3	Not Used			
4	0641610	4	Bolt 3/8in-16NC x 1-1/4in	
5		1	Bolt Options:	
5A	0641620		Bolt 3/8in-16NC x 2-1/2in (Prior to SN 0300074573)	
5B	0641608		Bolt 3/8in-16NC x 1in (SN 0300074573 to SN 0300096000)	
6	0641814	4	Bolt 1/2in-13NC x 1-3/4in (Prior to SN 0300074573 Only)	
7	0642012	2	Bolt 5/8in-11NC x 1-1/2in	
8		1	Boom Assembly Options:	
			400S (See BOOM ASSEMBLY - 400S for Breakdown)	
	0801223		Front Entry Platform	
	0801359		Side Entry Platform	
			460SJ (See BOOM ASSEMBLY - 460SJ for Breakdown)	
	0801186		Front Entry Platform	
	0801360		Side Entry Platform	
9		1	Master Cylinder Assembly Options (See CYLINDER SECTION for Breakdown):	
	1683951		Prior to SN 0300074573	
	Use 1001140587		SN 0300074573 to SN 0300096000 (was p/n 1684284)	
10	Not Used			
11	1683776	1	Lift Cylinder Assembly (See CYLINDER SECTION for Breakdown)	
12	Not Used			
13	3311601	4	Nut 3/8in-16NC	
14	3311605	AR	Locknut 3/8in-16NC	
15 to 16	Not Used			
17	3422564	2	Pin, Pivot	
18		1	Pin, Pivot Options:	
18A	3422690		Prior to SN 0300074573	
18B	3422566		SN 0300074573 to SN 0300096000	
19	3422561	1	Pin, Pivot	
20	Not Used			
21	3841143	AR	Keeper, Pin - 3/8in	
22	3841258	2	Keeper, Pin - 5/8in	
23	4711600	8	Flatwasher 3/8in Thin	
24 to 25	Not Used			
26	4846128	2	Cylinder Mount Weldment (Prior to SN 0300074573 Only)	
27	Not Used			
28	0681610	6	Bolt 3/8in-16NC x 1-1/4in (Grade 8) (Front Entry Platform)	

SECTION 3 BOOM

FIGURE 3-1. BOOM INSTALLATIONS (CONTINUED)

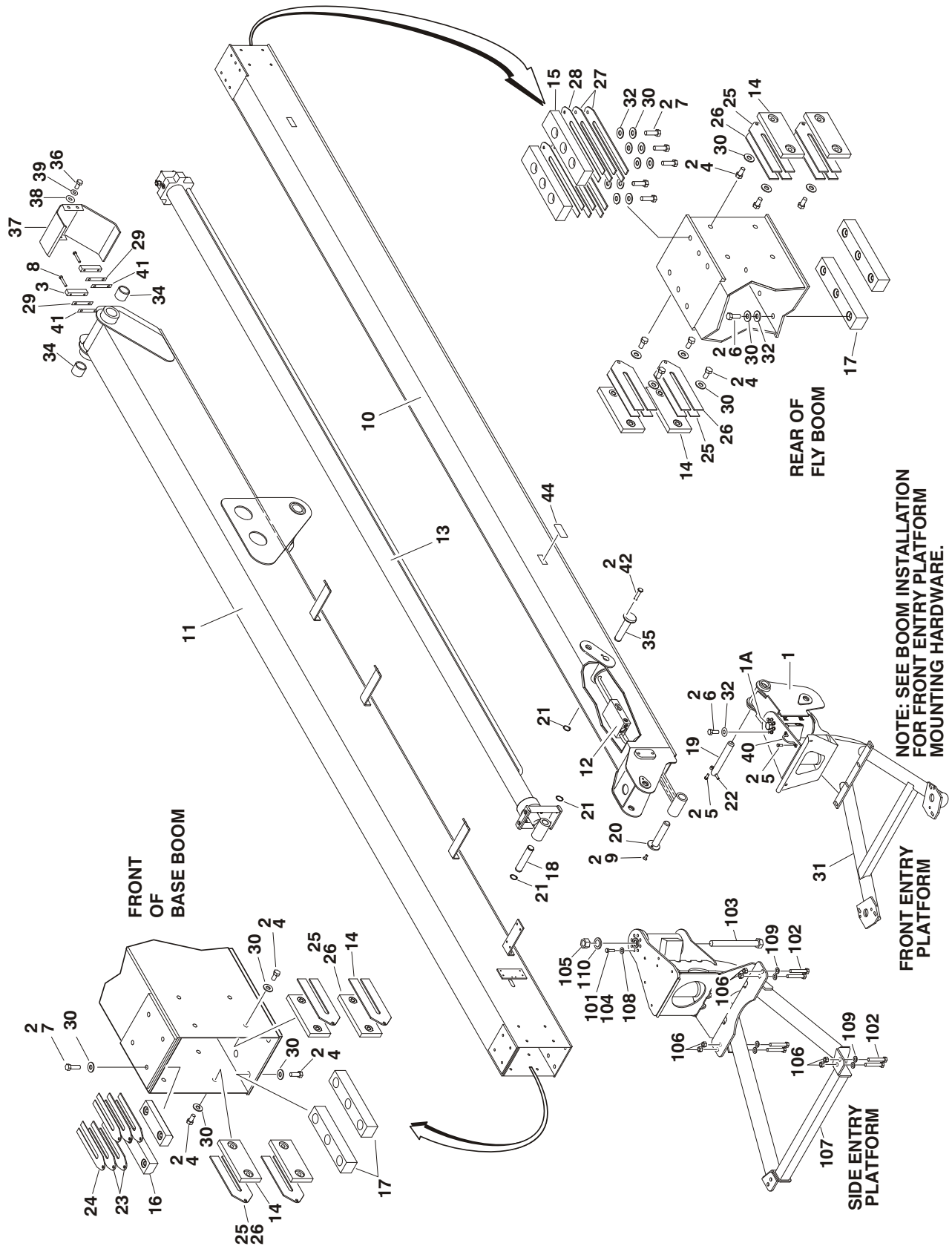
ITEM #	PART NUMBER	QTY.	DESCRIPTION	REV.
29	0681632	1	Bolt 3/8in-16NC x 4in (Grade 8)	
30	3340853	2	Pad, Boom Rest	
31	3422851	1	Pin, Boom Lift	
32	0641605	1	Bolt 3/8in-16NC x 5/8in	
33	0641820	2	Bolt 1/2in-13NC x 2-1/2in (Front Entry Platform)	
34	3311805	2	Locknut 1/2in-13NC (Front Entry Platform)	
35	4751800	4	Flatwasher 1/2in Regular (Front Entry Platform)	
36	4751600	12	Flatwasher 3/8in Regular (Front Entry Platform)	
		Ref	POWERTRACK INSTALLATION	
	0270213	Ref	Standard Powertrack	C
	0272897	Ref	Inverted Powertrack	B
101	0100011	AR	Compound, Locking	
102	0641605	10	Bolt 3/8in-16NC x 5/8in	
103	Not Used			
104		1	Power Track Assembly Options:	
		Ref	Note: Original Power Track may have been replaced with a Service Replacement. Visually identify the power track before ordering parts.	
104A	Use 1001099830	1	Standard Power Track Assembly (was p/n 1180336)	
			Gemco Brand Replacement Parts:	
	7006140	AR	1Ft. Repair Section for p/n 1180336 Power Track (Includes 10 Link Pins, 4 Radius Links, 8 Carrier Links, 4 Rod Carrier, 8 Screws, 10 Slugs & 20 Bearing Plates)	
	7006151	2Pr.	Feet, Mounting for p/n 1180336 Power Track (Includes 2 Round Spacers, Left & Right Mounting Feet)	
	7006152	AR	Pin Kit for p/n 1180336 Power Track (Includes 1 Pin, 1 Retaining Ring & Set of 4 Washers (Different Sizes))	
104B			Gortrac Brand Replacement Parts:	
	70001994	AR	Repair Section - 1 Foot for 1001099830 Power Track	
	70001994	1	Mounting Bracket Kit for 1001099830 Power Track	
	1180379	1	Inverted Power Track Assembly	
	7016505	AR	8in. Repair Section for 1180379 Power Track (Includes extra pin assemblies for each end but no mounting feet)	
	7016524	2Pr.	Feet, Mounting for 1180379 Power Track (Includes 1 each of Left & Right Mounting Feet)	
	7006137	AR	Pin Kit for 1180379 Power Track (Includes 1 Pin, 1 Retaining Ring & Set of 4 Washers (Different Sizes))	
105	Not Used			
106	4711600	26	Flatwasher 3/8in Thin	
107	Not Used			
108	4846216	1	Tube, Push	
109	4846186	1	Tube, Carrier	
110	3900283	8	Screw, Button Head 3/8in-16NC x 3/4in	
111	3311601	4	Nut 3/8in-16NC	
112	0641609	4	Bolt 3/8in-16NC x 1-1/8in	
113	3340453	1	Pad, Wear	
114	3311608	4	Nut, Flanged 3/8in-16NC	

FIGURE 3-1. BOOM INSTALLATIONS (CONTINUED)

ITEM #	PART NUMBER	QTY.	DESCRIPTION	REV.
		Ref	BOOM CABLES INSTALLATION	
	0259189	Ref	400S (Prior to SN 0300064404)	9
	0271160	Ref	400S (SN 0300064404 to SN 0300096000)	8
	0272612	Ref	400S (7500w 60Hz Generator - SKYPOWER)	4
	0259190	Ref	460SJ (Prior to SN 0300064404)	9
	0271159	Ref	460SJ (SN 0300064404 to SN 0300096000)	8
	0272613	Ref	460SJ (7500w 60Hz Generator - SKYPOWER)	4
201	0100011	AR	Compound, Locking	
202	4711600	4	Flatwasher 3/8in Thin	
203	0641604	4	Bolt 3/8in-16NC x 1/2in	
204	3572200	1	Clamp, Block	
205	0630566	2	Bolt, Carriage 5/16in-18NC x 2-1/4in	
206	3572345	4	Clamp, Block	
207	4751500	3	Flatwasher 5/16in Regular	
208	3311505	3	Locknut 5/16in-18NC	
209 to 210	Not Used			
211	3572165		Cover	
212	4060919	6ft/1.8m	Trim, Protection	
213	3340897	2	Pad	
214 to 217	Not Used			
218	0641516	1	Bolt 5/16in-18NC x 2in	
219 to 222	Not Used			
223	4060808	5ft/1.5m	Trim, Protection	
224 to 225	Not Used			
226	4060805	1.5ft/0.5m	Trim, Protection	

SECTION 3 BOOM

FIGURE 3-2. BOOM ASSEMBLY - 400S



NOTE: SEE BOOM INSTALLATION FOR FRONT ENTRY PLATFORM MOUNTING HARDWARE.

FIGURE 3-2. BOOM ASSEMBLY - 400S

ITEM #	PART NUMBER	QTY.	DESCRIPTION	REV.
		Ref	BOOM ASSEMBLIES	
	0801223	Ref	Front Entry Platform	N
	0801359	Ref	Side Entry Platform	A
1		1	Rotator Assembly Options (See ROTATOR ASSEMBLIES for Breakdown):	
	Use 0060059		Prior to SN 0300052800 (was p/n 0060047)	
	0060059		SN 0300052800 to SN 0300096000	
1A	See Note	AR	Hardware Kit (Note: Use items 103, 105 & 110 as Service Replacement)	
2	0100011	AR	Compound, Locking	
3	0561185	2	Block, Telescope Cylinder Attach	
4	0641606	16	Bolt 3/8in-16NC x 3/4in	
5	0641605	1	Bolt 3/8in-16NC x 5/8in	
6	0641608	20	Bolt 3/8in-16NC x 1in	
7	0641610	10	Bolt 3/8in-16NC x 1-1/4in	
8	0641616	2	Bolt 3/8in-16NC x 2in	
9	0741607	1	Screw, Flathead Socket 3/8in-16NC x 7/8in (Prior to SN 0300066372)	
10	0801213	1	Boom, Fly	
11	0801215	1	Boom, Base	
12	Use 1001140586	1	Level (Platform Slave) Cylinder Assembly (was p/n 1683778) (See CYLINDER SECTION for Breakdown)	
13		1	Telescope Cylinder Assembly Options (See CYLINDER SECTION for Breakdown):	
	Use 1684194		Prior to SN 0300066372 (was p/n 1683897)	
	1684194		SN 0300066372 to SN 0300096000	
14	3340867	8	Pad, Wear (Fly Rear Sides & Base Front Sides)	
15	3340868	2	Pad, Wear (Fly Rear Top)	
16	3340869	2	Pad, Wear (Base Front Top)	
17	3340870	4	Pad, Wear (Fly Rear Bottom & Base Front Bottom)	
18	3422457	1	Pin, Telescope Cylinder	
19	3422582	1	Pin, Pivot	
20	3422865	1	Pin, Pivot	
21	3760133	3	Ring, Retaining	
22	3841143	1	Keeper, Pin	
23	4070497	4	Shim 1/8in	
24	4070498	2	Shim 1/16in	
25	4070501	8	Shim 1/8in	
26	4070502	2	Shim 1/16in	
27	4070503	4	Shim 1/8in	
28	4070504	2	Shim 1/16in	
29	4070929	2	Shim 1/8in	
30	4751600	26	Flatwasher 3/8in Regular	
31		1	Support Weldment Options:	
	4846137		Front Entry Platform	
	See Note		Side Entry Platform (Note: See Items 101-110)	
32	4711600	20	Flatwasher 3/8in Thin	
33	0961951	2	Bushing	
34	0961950	2	Bushing	

SECTION 3 BOOM

FIGURE 3-2. BOOM ASSEMBLY - 400S (CONTINUED)

ITEM #	PART NUMBER	QTY.	DESCRIPTION	REV.
35	3422859	1	Pin	
36	0641406	4	Bolt 1/4in-20NC x 3/4in	
37	4060995	1	Shield, Rear	
38	4751400	4	Flatwasher 1/4in Regular	
39	4761400	4	Lockwasher 1/4in	
40	3841340	1	Rod, Hose Loop (Front Entry Platform)	
41	4071007	2	Shim, 20 Gauge	
42	0741605	AR	Screw, Flathead Socket 3/8in-16NC x 5/8in	
43	Not Used			
44	1670836	6	Cover (SN 0300066372 to SN 0300096000)	
	0272070	Ref	PLATFORM SUPPORT INSTALLATIONS (SIDE ENTRY PLATFORM)	B
		Ref	Machines with SkyGlazier (Note: For Replacement Parts, Contact JLG Customer Service and Request Manual p/n 3124242)	
101	0100011	AR	Compound, Locking	
102	0641812	8	Bolt 1/2in-13NC x 1-1/2in	
103	0642682	1	Bolt 1in-8NC x 10-1/4in	
104	0681608	8	Bolt 3/8in-16NC x 1in	
105	3272605	1	Locknut 1in-8NC	
106	3311805	8	Locknut 1/2in-13NC	
107	4846573	1	Support Weldment	
108	4891600	8	Flatwasher 3/8in Hardened	
109	4891800	8	Flatwasher 1/2in Hardened	
110	4892600	1	Flatwasher 1in Hardened	

FIGURE 3-2. BOOM ASSEMBLY - 400S (CONTINUED)

ITEM #	PART NUMBER	QTY.	DESCRIPTION	REV.

SECTION 3 BOOM

FIGURE 3-3. BOOM ASSEMBLY - 460SJ

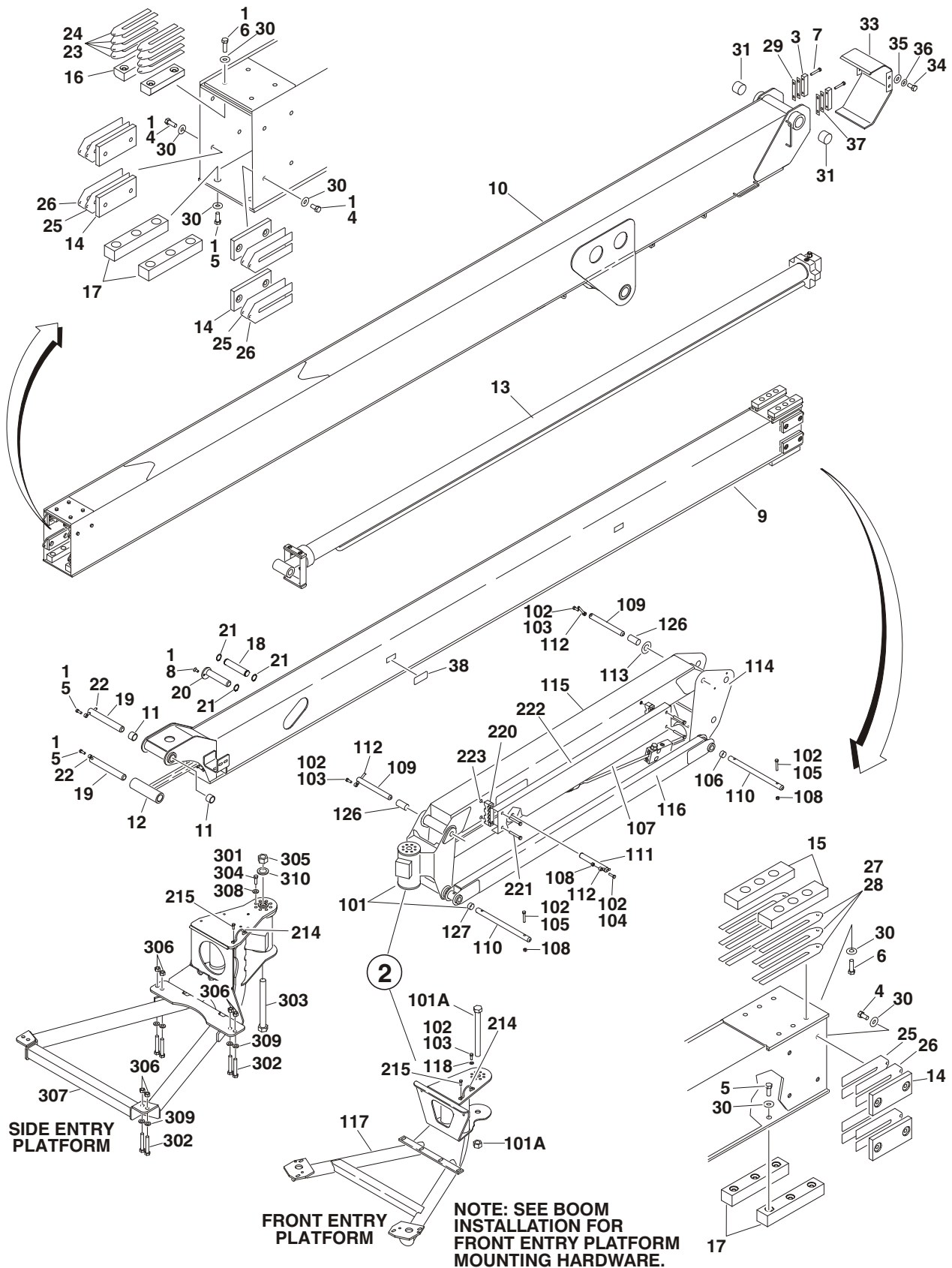


FIGURE 3-3. BOOM ASSEMBLY - 460SJ

ITEM #	PART NUMBER	QTY.	DESCRIPTION	REV.
		Ref	BOOM ASSEMBLIES	
	0801186	Ref	Front Entry Platform	K
	0801360	Ref	Side Entry Platform	A
1	0100011	AR	Compound, Locking	
2		1	Jib Assembly Options (See Items 101-127 for Breakdown):	
	0259856		Front Entry Platform	
	0272593		Side Entry Platform	
3	0561185	2	Block, Telescope Cylinder Attach	
4	0641606	16	Bolt 3/8in-16NC x 3/4in	
5	0641608	14	Bolt 3/8in-16NC x 1in	
6	0641610	10	Bolt 3/8in-16NC x 1-1/4in	
7	0641616	2	Bolt 3/8in-16NC x 2in	
8	0741605	1	Screw, Flathead Socket 3/8in-16NC x 5/8in	
9	0801214	1	Boom, Fly	
10	0801216	1	Boom, Base	
11	0961951	2	Bushing, Composite	
12	1684013	1	Platform Level Cylinder Assembly (See CYLINDER SECTION for Breakdown)	
13		1	Telescope Cylinder Assembly Options (See CYLINDER SECTION for Breakdown):	
	Use 1684194		Front Entry Platform (was p/n 1683897)	
	1684194		Side Entry Platform	
14	3340867	8	Pad, Wear (Fly Rear Sides & Base Front Sides)	
15	3340868	2	Pad, Wear (Fly Rear Top)	
16	3340869	2	Pad, Wear (Base Front Top)	
17	3340870	4	Pad, Wear (Fly Rear Bottom & Base Front Bottom)	
18	3422457	1	Pin, Telescope Cylinder	
19	3422561	2	Pin, Pivot	
20	3422859	1	Pin, Pivot	
21	3760133	3	Ring, Retaining	
22	3841143	2	Keeper, Pin	
23	4070497	4	Shim 1/8in	
24	4070498	4	Shim 1/16in	
25	4070501	8	Shim 1/8in	
26	4070502	8	Shim 1/16in	
27	4070503	2	Shim 1/8in	
28	4070504	4	Shim 1/16in	
29	4070929	2	Shim 1/8in	
30	4751600	26	Flatwasher 3/8in Regular	
31	0961950	2	Bearing, Composite	
32	Not Used			
33	4060995	1	Cover, Rear	
34	0641406	4	Bolt 1/4in-20NC x 3/4in	
35	4751400	4	Flatwasher 1/4in Regular	
36	4761400	4	Lockwasher 1/4in	
37	4071007	2	Shim, 20 Gauge	
38	1670836	6	Cover (SN 0300066372 to SN 0300096000)	

SECTION 3 BOOM

FIGURE 3-3. BOOM ASSEMBLY - 460SJ (CONTINUED)

ITEM #	PART NUMBER	QTY.	DESCRIPTION	REV.
		Ref	JIB ASSEMBLIES	
	0259856	Ref	Front Entry Platform	G
	0272593	Ref	Side Entry Platform	A
101	0060048	1	Rotator Assembly (See ROTATOR ASSEMBLIES for Breakdown)	
101A	See Note	AR	Hardware Kit (Note: Use items 303, 305 & 310 as Service Replacement)	
102	0100011	AR	Compound, Locking	
103	0641608	AR	Bolt 3/8in-16NC x 1in	
104	0641610	1	Bolt 3/8in-16NC x 1-1/4in	
105	0641618	4	Bolt 3/8in-16NC x 2-1/4in	
106	0961947	AR	Bushing, Composite	
		Ref	Note: When replacing 106, recommend using qty 4. Original Equipment qty was 2.	
107	1683609	1	Jib Lift Cylinder Assembly (See CYLINDER SECTION for Breakdown)	
108	3311605	5	Locknut 3/8in-16NC	
109	3422860	2	Pin, Pivot	
110	3422861	2	Pin, Pivot	
111	3422867	1	Pin, Pivot	
112	3841143	3	Keeper, Pin - 3/8in	
113	4740439	2	Thrustwasher	
114	4844815	1	Pivot Weldment	
115	4844816	1	Tube (Top) (Includes Item 126 p/n 0962335)	
116	4844817	2	Tube (Bottom)	
117		1	Support Weldment Options:	
	4846137		Front Entry Platform	
	See Note		Side Entry Platform (Note: See Items 301-310)	
118	4711600	8	Flatwasher 3/8in Thin (Front Entry Platform)	
119 to 125	Not Used			
126	Use 0962335	4	Bushing, Composite (Part of Item 115) (was p/n 0961947)	
127	0961947	2	Bushing, Composite (Part of Item 101)	
		Ref	BOOM CABLES INSTALLATION	
	0259190	Ref	460SJ (Prior to SN 0300064404)	9
	0271159	Ref	460SJ (SN 0300064404 to SN 0300096000)	8
	0272613	Ref	460SJ (7500w 60Hz Generator - SKYPOWER)	4
201 to 213	Not Used			
214	3841340	1	Rod, Hose Loop	
215	0641605	2	Bolt 3/8in-16NC x 5/8in	
216 to 219	Not Used			
220	0561237	2	Clamp, Block	
221	0641416	4	Bolt 1/4in-20NC x 2in	
222	1670769	1	Cover	
223	2080044	4	Fastener, Rivnut	

FIGURE 3-3. BOOM ASSEMBLY - 460SJ (CONTINUED)

ITEM #	PART NUMBER	QTY.	DESCRIPTION	REV.
	0272070	Ref	PLATFORM SUPPORT INSTALLATIONS (SIDE ENTRY PLATFORM)	B
301	0100011	AR	Compound, Locking	
302	0641812	8	Bolt 1/2in-13NC x 1-1/2in	
303	0642682	1	Bolt 1in-8NC x 10-1/4in	
304	0681608	8	Bolt 3/8in-16NC x 1in	
305	3272605	1	Locknut 1in-8NC	
306	3311805	8	Locknut 1/2in-13NC	
307	4846573	1	Support Weldment	
308	4891600	8	Flatwasher 3/8in Hardened	
309	4891800	8	Flatwasher 1/2in Hardened	
310	4892600	1	Flatwasher 1in Hardened	

SECTION 3 BOOM

FIGURE 3-4. ROTATOR ASSEMBLIES

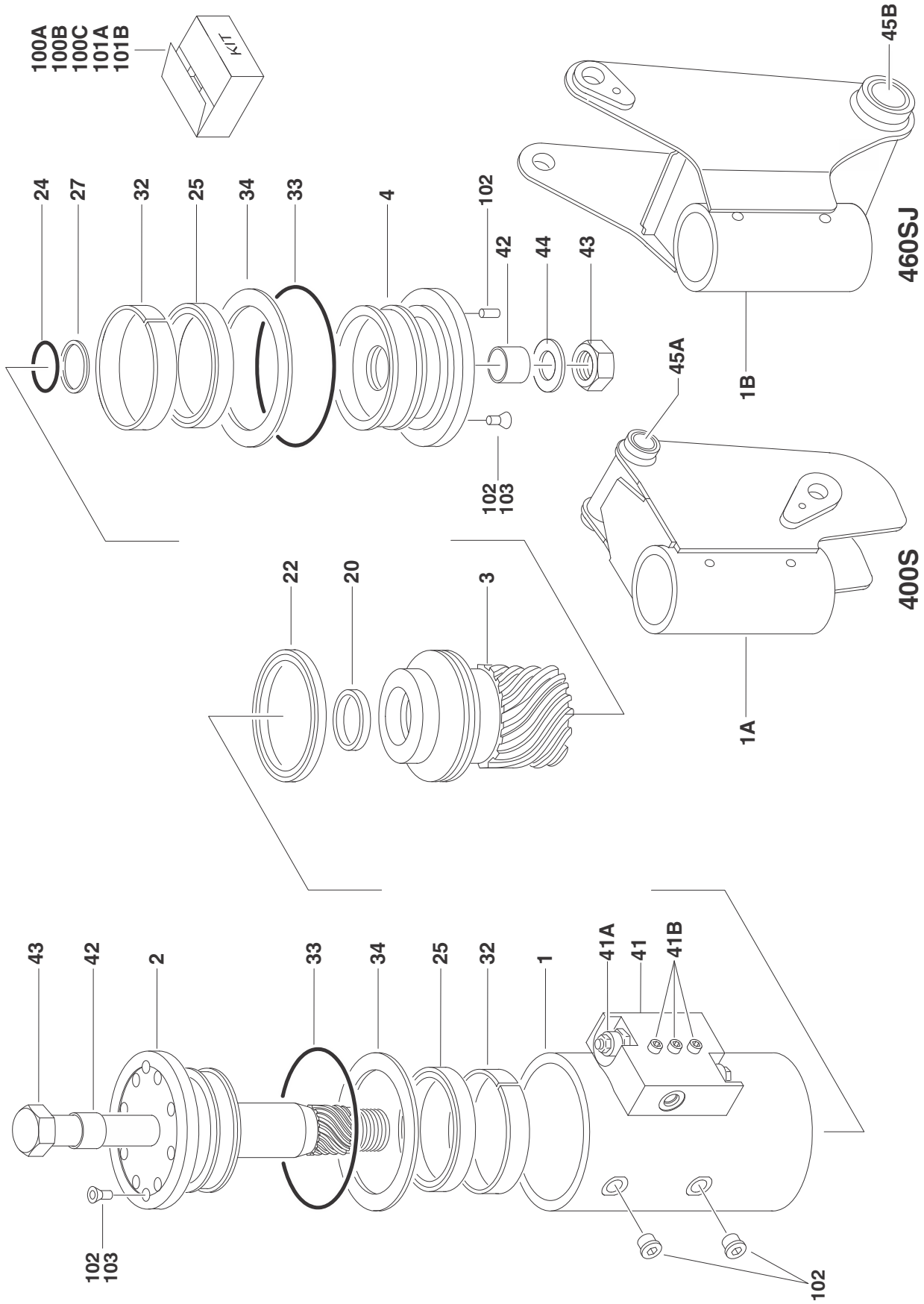


FIGURE 3-4. ROTATOR ASSEMBLIES

ITEM #	PART NUMBER	QTY.	DESCRIPTION	REV.
		Ref	ROTATOR ASSEMBLIES	
	See Note	Ref	400S Prior to SN 0300054365 (Note: Was p/n 0060047 - use p/n 0060059 as Service Replacement)	E
	0060059	Ref	400S SN 0300054365 to SN 0300096000	E
	0060048	Ref	460SJ	G
1	See Note	1	Housing/Ring Gear Assembly (Note: Not Available - Purchase Complete Rotator Assembly)	
2		1	Shaft Weldment Options:	
	7017140		Prior to SN 0300052800	
	7017162		SN 0300052800 to SN 0300096000	
3		1	Piston/Sleeve Assembly Options:	
	7017139		Prior to SN 0300052800	
	7017163		SN 0300052800 to SN 0300096000	
4		1	Cap, End Options:	
	7017148		Prior to SN 0300052800	
	7017164		SN 0300052800 to SN 0300096000	
5 to 19	Not Used			
20	See Note	1	T-Seal (Note: Use Item 100A, 100B or 100C)	
21	Not Used			
22	See Note	1	T-Seal (Note: Use Item 100A, 100B or 100C)	
23	Not Used			
24	See Note	1	O-Ring (Note: Use Item 100A, 100B or 100C)	
25	See Note	2	Seal (Note: Use Item 100A, 100B or 100C)	
26	Not Used			
27	See Note	1	Ring, Back-up (Note: Use Item 100A, 100B or 100C)	
28 to 31	Not Used			
32	See Note	2	Ring, Wear (Note: Use Item 101A or 101B)	
33	See Note	2	Ring, Wiper (Note: Use Item 100A, 100B or 100C)	
34	See Note	2	Thrustwasher (Note: Use Item 101A or 101B)	
35 to 40	Not Used			
41		AR	Valve Assembly Options:	
	Use 7017172	1	Valve Used Prior to SN 0300052800 (was p/n 7017125)	
	7017172	1	Valve used SN 0300052800 to SN 0300096000	
41A		2	Cartridge, Valve Options:	
	7011323	2	Cartridge Used Prior to SN 0300052800	
	2900770	2	Seal Kit - 7011323 Valve	
	7017192	2	Cartridge Used SN 0300052800 to SN 0300096000	
	Use 7017192	2	Seal Kit - 7017192 Valve (Note: Not Available for Purchase)	
41B	See Note	3	Bolt 1/4in-20NC (Grade 8) (Note: Not Available -Purchase Locally)	
42		2	Bushing Options:	
	7017136		Prior to SN 0300052800	
	7017195		SN 0300052800 to SN 0300096000	
43	See Note	1	Bolt & Nut (Note: Was p/n 7017143 for Machines Built Prior to SN 0300068836.P/N 7017143 is no longer available. Use hardware called out on Boom Assembly for Service Replacement)	

SECTION 3 BOOM

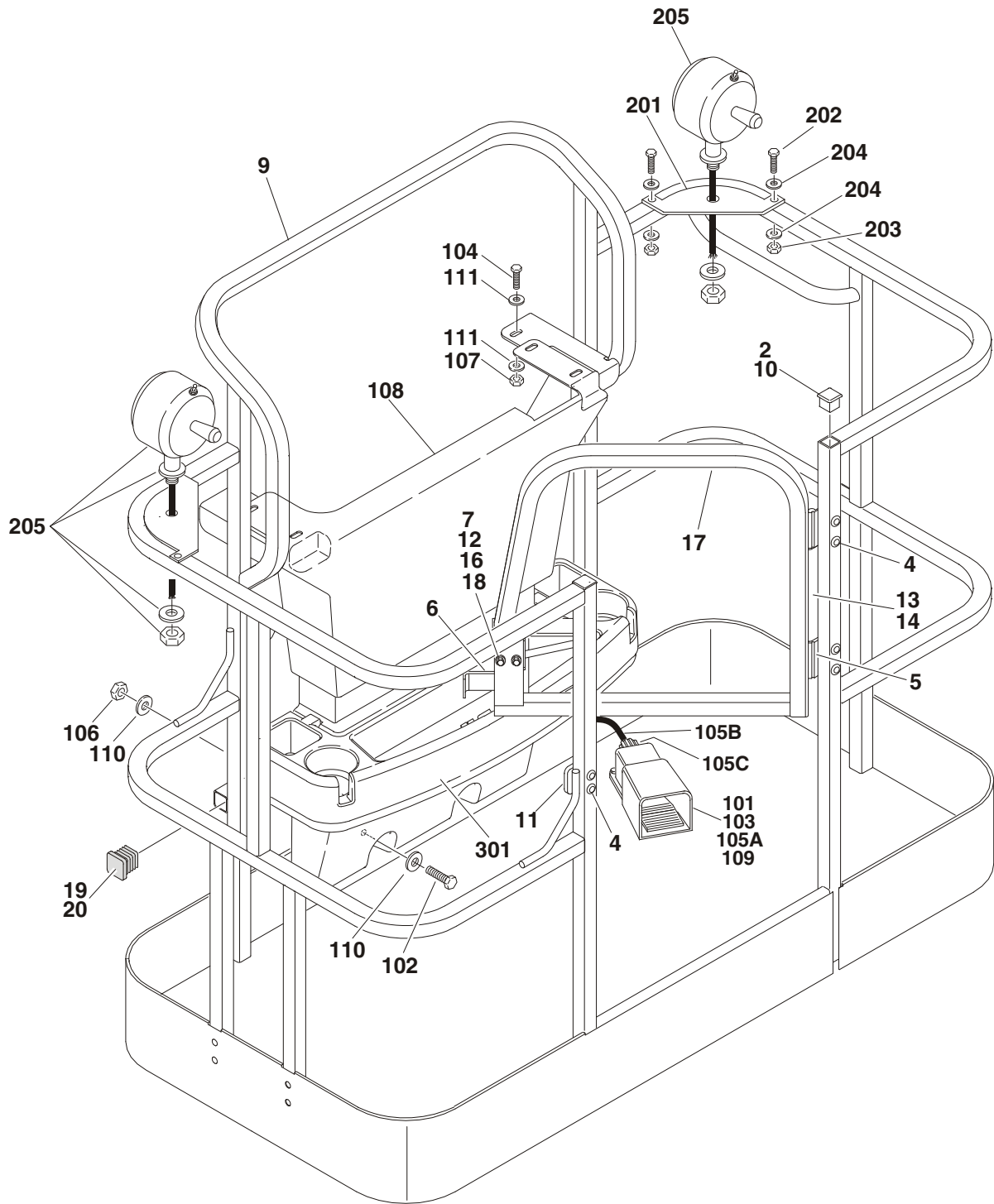
FIGURE 3-4. ROTATOR ASSEMBLIES (CONTINUED)

ITEM #	PART NUMBER	QTY.	DESCRIPTION	REV.
44	4892600	1	Flatwasher, Hardened (Prior to SN 0300068836 Only - See Boom Assembly for SN 0300068836 to SN 0300096000)	
45		2	Bushing Options:	
45A	0961951		400S	
45B	0961947		460SJ	
100		1	Seal Kit Options (Includes Items 20,22,24,25,27 & 33):	
100A	7017137		Standard (Prior to SN 0300052800)	
100B	7017158		Standard (SN 0300052800 to SN 0300096000)	
100C	70000342		Low Temperature (SN 0300052800 to SN 0300096000)	
101		1	Bearing Kit Options (Includes Items 32 & 34):	
101A	7017138		Prior to SN 0300052800	
101B	7017159		SN 0300052800 to SN 0300096000	
102		1	Hardware Kit	
	7017142		Platform Rotate Actuator	
103	70001697	4	Screw, Countersunk 1/4in-20NC x 3/8in (Grade 8)	

SECTION 4 PLATFORM

SECTION 4 PLATFORM

FIGURE 4-1. PLATFORM INSTALLATION (FRONT ENTRY PLATFORM)



SECTION 4 PLATFORM

FIGURE 4-1. PLATFORM INSTALLATION (FRONT ENTRY PLATFORM)

ITEM #	PART NUMBER	QTY.	DESCRIPTION	REV.
		Ref	PLATFORM ASSEMBLIES:	
	3510694	Ref	4ft (1.22m) with Standard Gate/No Mesh	D
	3510711	Ref	4ft (1.22m) with Standard Gate/Mesh to Top Rail	B
	3510714	Ref	4ft (1.22m) with Self-Closing Gate/No Mesh	C
	3510725	Ref	4ft (1.22m) with Self-Closing Gate/Mesh to Top Rail	C
	3510788	Ref	4ft (1.22m) with Swing Gate/No Mesh	A
	3510738	Ref	6ft (1.83m) with Standard Gate/No Mesh	C
	3510744	Ref	6ft (1.83m) with Standard Gate/Mesh to Top Rail	D
	3510742	Ref	6ft (1.83m) with Self-Closing Gate/No Mesh	E
	3510754	Ref	6ft (1.83m) with Self-Closing Gate/Mesh to Top Rail	F
	3510675	Ref	8ft (2.44m) with Standard Gate/No Mesh	C
	3510747	Ref	8ft (2.44m) with Standard Gate/Mesh to Top Rail	D
	3510749	Ref	8ft (2.44m) with Self-Closing Gate/No Mesh	E
	3510753	Ref	8ft (2.44m) with Self-Closing Gate/Mesh to Top Rail	F
	3510772	Ref	8ft (2.44m) with Swing Gate/No Mesh	A
		Ref	Note: Replacement Decals Must be purchased separately - See DECAL SECTION.	
1	Not Used			
2	0100040	AR	Sealant, RTV Silicone	
3	Not Used			
4	2080040	13	Fastener, Huck	
5		2	Hinge Options:	
	2600216		Standard Gate	
	2600219		Self-Closing Gate (Prior to SN 0300068521)	
	2600287		Self-Closing Gate (SN 0300068521 to SN 0300096000)	
6	2940074	1	Latch	
7	3311005	4	Locknut #10-24NC	
8	Not Used			
9	See Note	1	Platform Weldment (Note: Not Available - Purchase Platform Assembly)	
10	3520072	3	Cap-Plug	
11	3539685	1	Plate, Latch	
12	3911008	4	Screw #10-24NC x 1in	
13	4060803	6in/15cm	Trim	
14	4220165	1	Stop, Gate	
15	Not Used			
16	4751000	AR	Flatwasher #10 Regular	
17		1	Gate Weldment Options:	
	4845327		No Mesh/Standard Gate	
	4845824		Mesh to Top Rail/Standard Gate	
	4845426		No Mesh/Self-Closing Gate	
	4845951		Mesh to Top Rail/Self-Closing Gate	
18	4761000	4	Lockwasher #10	
19	0100010	AR	Adhesive	
20	3520172	2	Plug	

SECTION 4 PLATFORM

FIGURE 4-1. PLATFORM INSTALLATION (FRONT ENTRY PLATFORM) (CONTINUED)

ITEM #	PART NUMBER	QTY.	DESCRIPTION	REV.
		Ref	FOOTSWITCH AND COVERS INSTALLATIONS	
	0272035	Ref	Cast Box Installation	A
	0272036	Ref	Plastic Box Installation	A
101	0100020	AR	Sealant, Pipe	
102	0641406	4	Bolt 1/4in-20NC x 3/4in	
103	0641408	3	Bolt 1/4in-20NC x 1in	
104	0641610	4	Bolt 3/8in-16NC x 1-1/4in	
105			Console Box Assembly (Not Shown - See PLATFORM CONSOLE ASSEMBLY WITHOUT ADE SYSTEM & PLATFORM CONSOLE ASSEMBLY WITH ADE SYSTEM For Breakdown)	
105A	4360031	1	Footswitch Options:	
	7000625	2	Block, Contact for 4360031 Footswitch	
105B	1060918	8ft/2.4m	Cable, Electrical - 18/3	
105C	4460071	1	Connector, Strain Relief	
106	3311405	4	Locknut 1/4in-20NC	
107	3311605	4	Locknut 3/8in-16NC	
108	3380434	1	Panel, Poly	
109	4740362	7	Washer, Fender	
110	4751400	5	Flatwasher 1/4in Regular	
111	4751600	8	Flatwasher 3/8in Regular	
		Ref	WORKLIGHTS INSTALLATION (OPTIONAL)	
	0258309	Ref	Standard (Prior to SN 0300064404)	1/A
	0270814	Ref	ADE System (SN 0300064404 to SN 0300096000)	3/E
201	3536089	2	Plate, Mounting	
202	0641414	4	Bolt 1/4in-20NC x 1-3/4in	
203	3311405	4	Locknut 1/4in-20NC	
204	4711400	8	Flatwasher 1/4in Thin	
205	2920140	2	Worklight	
206	4240099	10	Tie-Strap (Not Shown)	
207	2820035	9	Loom, Vinyl (Not Shown)	
208	Not Used			
209	4460598	1	Connector, Strain Relief (Not Shown - Located at Console Box)	
210	4920018	18in/46cm	Wire, Black (Not Shown)	
		Ref	TRAY INSTALLATIONS (OPTIONAL)	
301	1580012	1	Tray, Storage (Center)	
302	1580013	1	Tray, Storage (Rail Mounted - Not Shown)	

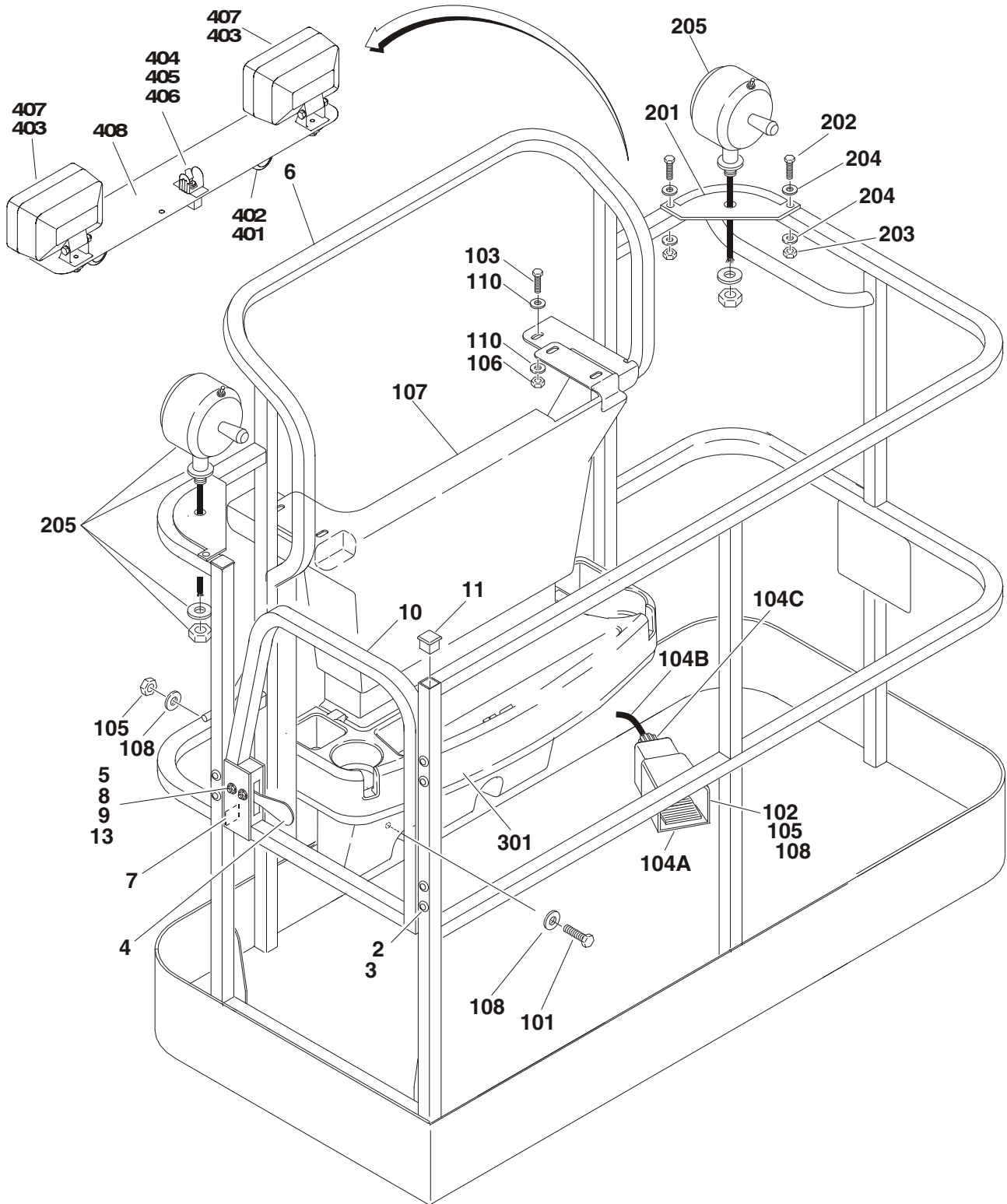
SECTION 4 PLATFORM

FIGURE 4-1. PLATFORM INSTALLATION (FRONT ENTRY PLATFORM) (CONTINUED)

ITEM #	PART NUMBER	QTY.	DESCRIPTION	REV.

SECTION 4 PLATFORM

FIGURE 4-2. PLATFORM INSTALLATION (SIDE ENTRY PLATFORM)



SECTION 4 PLATFORM

FIGURE 4-2. PLATFORM INSTALLATION (SIDE ENTRY PLATFORM)

ITEM #	PART NUMBER	QTY.	DESCRIPTION	REV.
		Ref	PLATFORM ASSEMBLIES:	
	Use 1001144023	Ref	36in X 8ft (91.5cm x 2.44m) with No Mesh (was p/n 3510822)	B/J
	Use 1001144025	Ref	30in X 6ft (76cm x 1.83m) with No Mesh (was p/n 3510832)	B/L
	Use 1001144024	Ref	36in X 6ft (91.5cm x 1.83m) with No Mesh (was p/n 3510833)	B/I
	Use 1001144026	Ref	30in X 5ft (76cm x 1.52m) with No Mesh (was p/n 3510831)	B/L
	Use 1001144027	Ref	30in x 4ft (76cm x 1.22m) (was p/n 3510830)	B/M
		Ref	Note: Original Equipment platform may have been replaced with Service Replacement platform. Identify platform before ordering parts.	
		Ref	Note: Platform and Mesh must be ordered separately for Platforms with Mesh. See SPECIAL OPTION SECTION for Mesh Installations.	
		Ref	Note: Replacement Decals Must be purchased separately - See DECAL SECTION.	
1	Not Used			
2	2080040	16	Fastener, Huck	
3	2600281	2	Hinge, Self-Closing	
4	2940074	1	Latch	
5	3311001	4	Nut #10-24NC (Prior to SN 0300077394 Only)	
6	See Note	1	Platform Weldment (Note: Not Available - Purchase Platform Assembly)	
7	3520072	1	Cap-Plug	
8		4	Fastener Options:	
	3911008		Screw #10-24NC x 1in (Prior to SN 0300076465)	
	3900205		Screw #10-24NC x 5/8in (SN 0300076465 to SN 0300077394)	
	3820020		Rivet (SN 0300077394 to SN 0300096000)	
9	4751000	8	Flatwasher #10 Regular (Prior to SN 0300077394 Only)	
10		1	Gate Weldment Options:	
	4846452		Gate for Original Equipment Platform p/n 3510822, 3510830, 3510831, 3510832, 3510833	
	1001144629		Gate for Service Replacement Platform p/ns 1001144023, 1001144024, 1001144025, 1001144026, 1001144027	
11	3520198	2	Cap-Plug	
12	Not Used			
13	4761000	4	Lockwasher #10 (Prior to SN 0300077394 Only)	
	0272609	Ref	CONSOLE BOX INSTALLATIONS	A
101	0641406	4	Bolt 1/4in-20NC x 3/4in	
102	0641408	3	Bolt 1/4in-20NC x 1in	
103	0641610	4	Bolt 3/8in-16NC x 1-1/4in	
104		1	Platform Console Box Assembly (Not Shown) (See PLATFORM CONSOLE ASSEMBLY WITHOUT ADE SYSTEM & PLATFORM CONSOLE ASSEMBLY WITH ADE SYSTEM for Breakdown)	

SECTION 4 PLATFORM

FIGURE 4-2. PLATFORM INSTALLATION (SIDE ENTRY PLATFORM) (CONTINUED)

ITEM #	PART NUMBER	QTY.	DESCRIPTION	REV.
104A	Use 0272970	1	Footswitch Assembly (Includes Footswitch & Items 104B & 104C)	B
		Ref	Note: Assembly p/n 0272970 may use either p/n 4360031 or p/n 1001117320. If Original Equipment was replaced as an "assembly," p/n 1001117320 may have been used as part of the Service Replacement. Identify component before ordering parts.	
	4360031	1	Footswitch Less Cable Options:	
	1001117320		Original Equipment	
		AR	Service Replacement	
	7000625	2	Block, Contact Options (see Note Above):	
	70003483	1	Contact Block for 4360031 Footswitch	
	3252347	1	Contact Block for 1001117320 Footswitch	
			Nameplate (Note: See DECAL SECTION for Other Languages)	
104B	1060918	7ft/2.14m	Cable, Electrical - 18/3	
104C	4460071	1	Connector, Strain Relief	
105	3311405	7	Locknut 1/4in-20NC	
106	3311605	4	Locknut 3/8in-16NC	
107	3380434	1	Panel, Decal Mount	
108	4740362	7	Washer, Fender 1/4in	
109	4751400	4	Flatwasher 1/4in Regular	
110	4751600	8	Flatwasher 3/8in Regular	
		Ref	WORKLIGHTS INSTALLATIONS (OPTIONAL)	
	0270814	Ref	Prior to SN 0300074316	3/E
	0273493	Ref	400S SN 0300074316 to SN 0300096000	B
	0273494	Ref	460SJ SN 0300074316 to SN 0300096000	B
201	3536089	2	Plate, Mounting	
202		4	Fastener Options:	
	0641414		Bolt 1/4in-20NC x 1-3/4in	
	2080040		Rivet 1/4in	
203	3311405	AR	Locknut 1/4in-20NC	
204	4711400	AR	Flatwasher 1/4in Thin	
205	2920140	2	Worklight	
	7016399	2	Bulb, Replacement (1 Per Worklight)	
206	4240099	10	Tie-Strap (Not Shown)	
207	2820035	9	Loom, Vinyl (Not Shown)	
208	Not Used			
209	4460598	1	Connector, Strain Relief (Not Shown - Located at Console Box)	
		Ref	TRAY INSTALLATIONS (OPTIONAL)	
301	1580012	1	Tray, Storage (Center)	
302	1580013	1	Tray, Storage (Rail Mounted - Not Shown)	

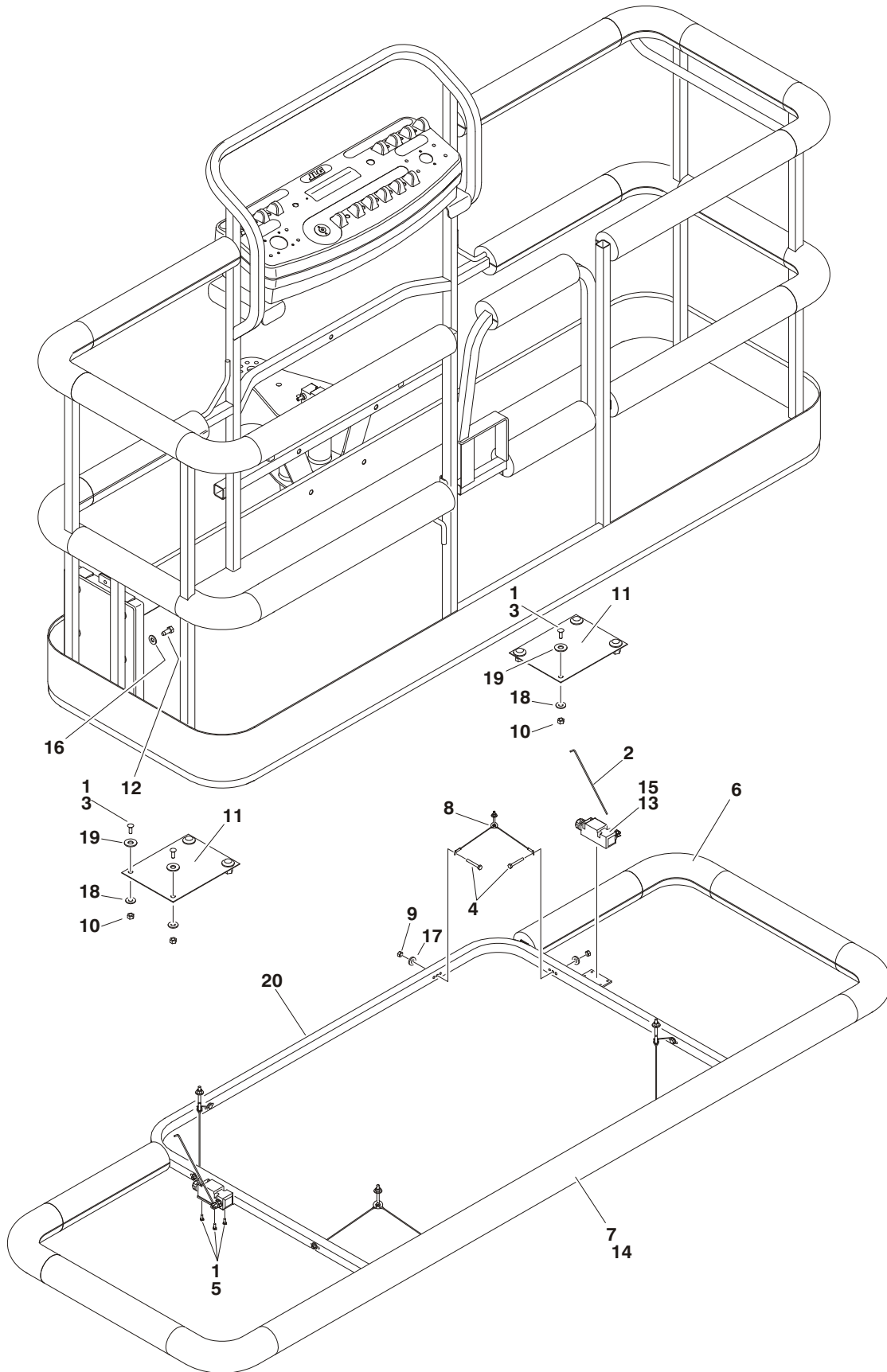
SECTION 4 PLATFORM

FIGURE 4-2. PLATFORM INSTALLATION (SIDE ENTRY PLATFORM) (CONTINUED)

ITEM #	PART NUMBER	QTY.	DESCRIPTION	REV.
		Ref	FLOODLIGHT INSTALLATION	
	0274570	Ref	400S	A
	0274584	Ref	460SJ	A
401	0641518	2	Bolt 5/16in-18NC x 2-1/4in	
402	2560173	2	Handle	
403	2920157	2	Lamp, Work Light	
404	3250585	1	Nameplate - Light On	
405	4060802	1	Guard, Switch	
406	4360336	1	Switch, Toggle	
407	4751800	2	Flatwasher 1/2in Regular	
408	4846561	1	Mount, Light	
409		AR	Harness 12/3 (Not Shown)	
	1060983	63ft/19.2m	400S	
	4922965	1	460SJ	
410	Not Used			
411	4420037	1	Tape, Insulation (Not Shown)	

SECTION 4 PLATFORM

FIGURE 4-3. SOFT TOUCH INSTALLATION (FRONT ENTRY PLATFORM) (OPTIONAL)



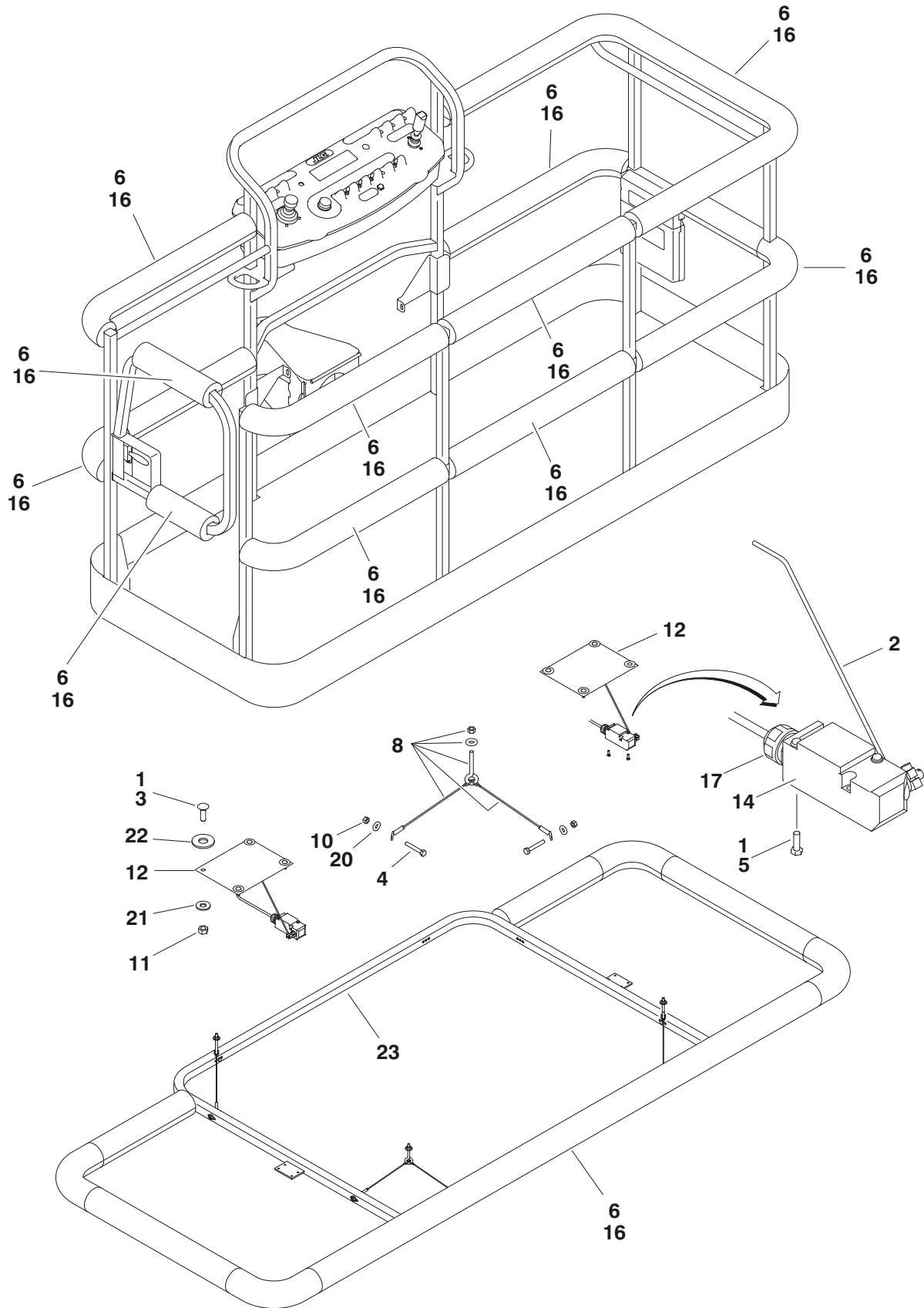
SECTION 4 PLATFORM

FIGURE 4-3. SOFT TOUCH INSTALLATION (FRONT ENTRY PLATFORM) (OPTIONAL)

ITEM #	PART NUMBER	QTY.	DESCRIPTION	REV.
		Ref	SOFT TOUCH INSTALLATION	
	0271040	Ref	30in x 96in Without Mesh With Swing Gate (Prior to SN 0300064404)	B
	0271355	Ref	30in x 96in Without Mesh With Swing Gate (SN 0300064404 to SN 0300064509)	B
	0272007	Ref	30in x 96in Without Mesh With Swing Gate (SN 0300064509 to SN 0300096000)	C
1	0100011	AR	Compound, Locking	
2	0200048	2	Arm, Switch Activator	
3	0630462	8	Bolt, Carriage	
4	0641414	8	Bolt 1/4in-20NC x 1-3/4in	
5	0731005	4	Screw #10-32NF x 5/8in	
6	0940092	12	Bumper (Corner) (Prior to SN 0300066686)	
7		AR	Bumper Options:	
	0940094	3	Bumper (Center) (Prior to SN 0300066686)	
	0940101	1	Bumper (Precut Kit) (SN 0300066686 to SN 0300096000)	
8	1060903	4	Wire Rope & Eyebolt Assembly	
9	3311401	8	Nut 1/4in-20NC	
10	3311501	8	Nut 5/16in-18NC	
11	3539719	2	Plate, Switch Strike	
12	3941405	2	Screw, Self-Tapping 1/4in-20NC x 5/8in	
13	4360057	2	Switch, Limit	
14	4420068	AR	Tape, Yellow Adhesive	
15	4460049	2	Connector, Strain Relief	
16	4711400	2	Flatwasher 1/4in Thin	
17	4751400	8	Flatwasher 1/4in Regular	
18	4751500	12	Flatwasher 5/16in Regular	
19	4751800	8	Flatwasher 1/2in Regular	
20	4846390	1	Weldment, Soft Touch Rail	

SECTION 4 PLATFORM

FIGURE 4-4. SOFT TOUCH INSTALLATION (SIDE ENTRY PLATFORM) (OPTIONAL)



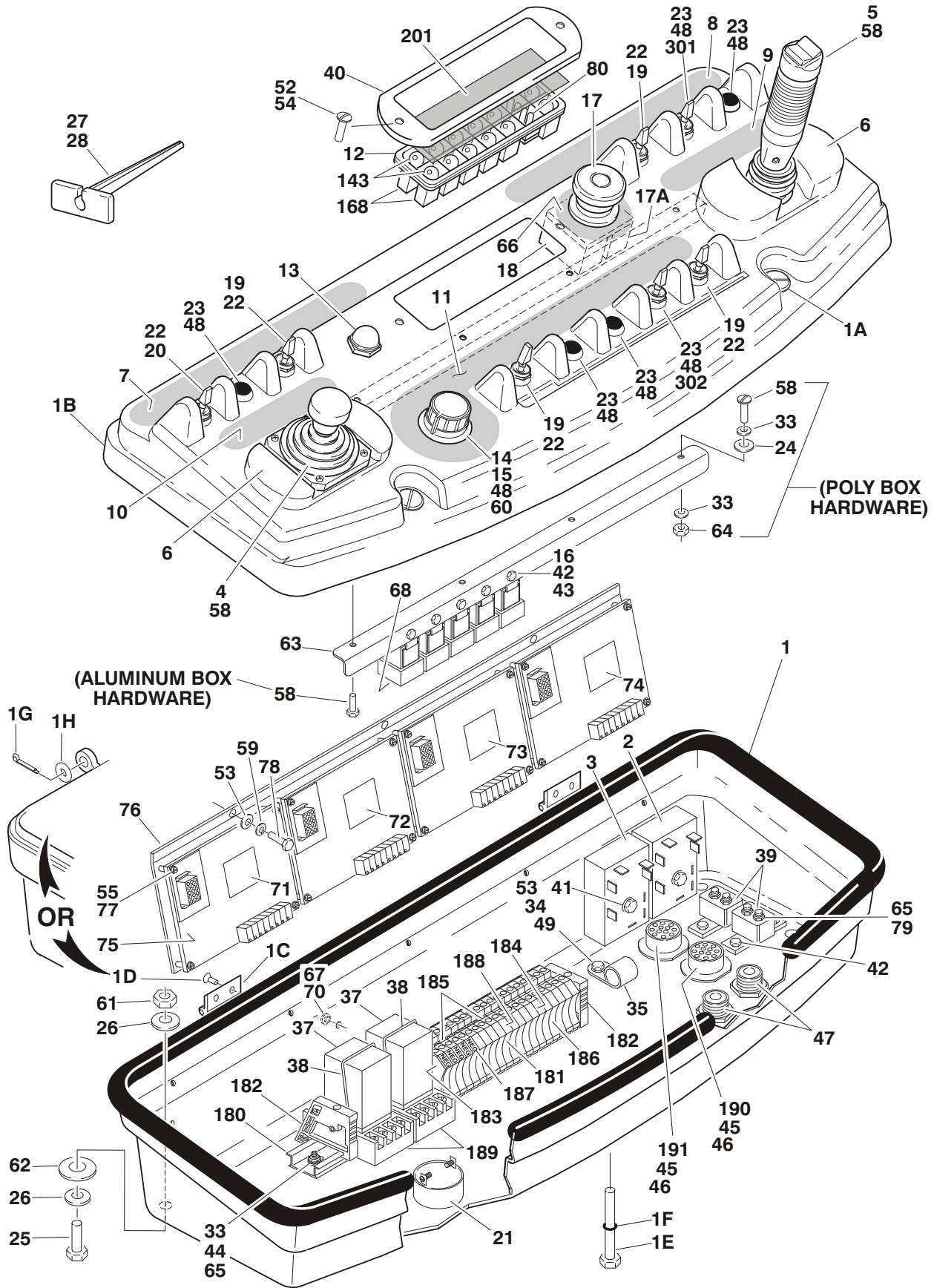
SECTION 4 PLATFORM

FIGURE 4-4. SOFT TOUCH INSTALLATION (SIDE ENTRY PLATFORM) (OPTIONAL)

ITEM #	PART NUMBER	QTY.	DESCRIPTION	REV.
		Ref	SOFT TOUCH SYSTEM INSTALLATIONS OPTIONS:	
	See Note	Ref	6Ft/1.8m Platforms (Note: Not Available for Purchase)	
	0272427	Ref	8Ft/2.4m Platforms	C
1	0100011	AR	Compound, Locking	
2	0200048	2	Arm, Switch Activator	
3	0630462	8	Bolt, Carriage	
4	0641414	8	Bolt 1/4in-20NC x 1-3/4in	
5	0721005	4	Screw, Machine #10-32 x 5/8in (was p/n 0731005)	
6	0940103	1	Bumper Kit	
7	Not Used			
8	1060903	4	Wire Rope & Eyebolt Assembly	
9	Not Used			
10	3311401	8	Nut 1/4in-20NC	
11	3311501	8	Nut 5/16in-18NC	
12	3574091	2	Plate, Striker	
13	4240099	7	Tie-Strap (Not Shown)	
14	4360057	2	Switch, Limit	
15	Not Used			
16	4420068	1	Tape, Yellow Adhesive	
17	4460049	2	Connector, Strain Relief	
18	4460234	7	Base, Tie-Strap Mounting (Not Shown)	
19	Not Used			
20	4751400	8	Flatwasher 1/4in Regular	
21	4751500	12	Flatwasher 5/16in Regular	
22	4751800	8	Flatwasher 1/2in Regular	
23	4846673	1	Rail, Soft-Touch	
	0272444	Ref	SOFT TOUCH COUNTERWEIGHT INSTALLATION (NOT SHOWN)	C
	4821397	1	Counterweight (Located in Frame)	

SECTION 4 PLATFORM

FIGURE 4-5. PLATFORM CONSOLE ASSEMBLY WITHOUT ADE SYSTEM



SECTION 4 PLATFORM

FIGURE 4-5. PLATFORM CONSOLE ASSEMBLY WITHOUT ADE SYSTEM

ITEM #	PART NUMBER	QTY.	DESCRIPTION	REV.
		Ref	CONSOLE BOX ASSEMBLY OPTIONS:	
	0861270	Ref	Poly Box	7/E
	0861271	Ref	Aluminum Box	6/D
1		1	Box, Console Options: Poly Box (Prior to SN 0300066471) Alum Box (Prior to SN 0300066471) Die Cast Box (SN 0300066471 to SN 0300096000)	
	0861195		Box Components:	
	0860984		Screw (Poly Box Only)	
	0861535		Retainer (Poly Box Only)	
1A	7020099	2	Clip with Bracket (Poly Box Only)	
	3760308	2	Lid (Note: Not Available for Purchase)	
	7020100	2	Hinge Options:	
1B	See Note	1	Poly Box (Note: Not Available for Purchase)	
1C		AR	Alum Box	
	See Note	1	Die Cast Box	
	2600211	2	Screw, Countersunk 6mm x 16mm (Alum Box Only)	
	Not Required	0	Capscrew 3/8in-16NC x 4in (Alum Box Only)	
1D	3900224	8	Capscrew 3/8in-16NC x 4-1/2in (Die Cast Box Only)	
1E	3931664	1	O-Ring (Alum Box Only)	
	3931672	1	Nut 3/8in x 16NC (Die Cast Box Only)	
1F	3790109	1	Pin, Cotter (Die Cast Box Only)	
	3311601	1	Flatwasher 5/16in Thin (Die Cast Box Only)	
1G	3450304	2	Relay, Time Delay (5 Pin)	
1H	4711500	2	Relay, Time Delay (3 Pin)	
2	3740113	1	Controller Assembly (Lift & Swing) (See CONTROLLER ASSEMBLY (LIFT & SWING) (WITHOUT ADE SYSTEM) for Breakdown)	
3	3740115	1	Controller Assembly (Drive and Steer) (See CONTROLLER ASSEMBLY (DRIVE AND STEER) (WITHOUT ADE SYSTEM) for Breakdown)	
4	1600284	1	Pad, Hand Options:	
5	1600283	1	Poly Box	
6		AR	Alum Box (Left Side)	
	Not Required	0	Alum Box (Right Side)	
	4340678	1	Decal (Horn)	
	4340684	1	Decal (Stop)	
7	1703776	1	Decal (Drive and Steer)	
8	1702564	1	Decal (Lift and Swing)	
9	1702565	1	Decal (Lower Lift/Tele/Rotate/Jib)	
10	1702566	1	Housing, Display Light	
11	1702567	1	Switch, Pushbutton	
12	2760109	1	Knob, Speed Control	
13	4360387	1	Speed Controller Assembly	
14	2560136	1	Gasket, "Top Hat" (Included with Switch) (Note: Not Available - Purchase Complete Controller)	
15	4360407	1	Seal	
	See Note	1	Locknut #10-24NC	
16	70003784			
	3311005			

SECTION 4 PLATFORM

FIGURE 4-5. PLATFORM CONSOLE ASSEMBLY WITHOUT ADE SYSTEM (CONTINUED)

ITEM #	PART NUMBER	QTY.	DESCRIPTION	REV.
17	4360475	1	Switch, Emergency Stop	
	7020175	1	Cap, Mushroom	
17A	7020176	1	Block, Contact	
18	4360476	1	Block, Contact	
19	4360314	4	Switch, Toggle	
20	4360331	1	Switch, Toggle	
21	0140026	1	Alarm	
22	3790012	5	O-Ring	
23	3520028	6	Plug, Hole (For switch call-outs at these locations, refer to option installation)	
24	4740120	4	Washer, Nylon #10 (Poly Box Only)	
25	0641611	4	Bolt 3/8in-16NC x 1-3/8in	
26	4751600	8	Flatwasher 3/8in Regular	
27	4460467	1	Tool, Pin Extraction (Blue 16-18 Gauge) (Not Shown)	
28	4460510	1	Tool, Pin Extraction (Yellow 12-14 Gauge) (Not Shown)	
29 to 32	Not Used			
33	4711000	6	Flatwasher #10 Thin	
34	3311401	1	Nut 1/4in-20NC	
35	1320060	1	Clamp	
36		AR	Mount, Tie-Strap Options (Not Shown):	
	4460234	6	Poly Box	
	4460488	10	Alum Box	
37	3740058	2	Relay	
38	3740063	2	Spring, Relay	
39	4360232	2	Breaker, Circuit - 15 Amp	
40	1670829	1	Bezel, Light Panel	
41	0721010	2	Screw, Machine #10-24NC x 1-1/4in	
42	0721003	AR	Screw, Machine #10-24NC x 3/8in	
43	4751000	AR	Flatwasher #10 Regular	
44	0731004	2	Screw, Machine #10-32NC x 1/2in	
45	4460470	2	Nut, Terminal	
46	4460471	2	Washer, Terminal	
47	4460428	2	Connector, Strain Relief	
48	0100009	AR	Silicone	
49	0641406	1	Bolt 1/4in-20NC x 3/4in	
50	4420038	6in/15cm	Foam (Not Shown - Located on top of item 180) (Poly Box Only)	
51	Not Used			
52	0630464	2	Screw, Button Head #10-24NC x 1/2in	
53	4751400	AR	Flatwasher 1/4in Regular	
54	0100011	AR	Compound, Locking	
55	0100035	AR	Compound, Locking	
56 to 57	Not Used			
58		4	Hardware Options:	
	0630518		Screw, Button Head #10-24NC x 3/4in (Poly Box)	
	0641404		Bolt 1/4in-20NC x 1/2in (Alum Box)	
59	4761400	3	Lockwasher 1/4in (Poly Box Only)	
60	7019181	1	Gasket (Poly Box Only)	
61	3311605	4	Locknut 3/8in-16NC	
62	4751800	4	Flatwasher 1/2in Regular (Poly Box Only)	
63	3571222	1	Plate, Relay Mounting	

SECTION 4 PLATFORM

FIGURE 4-5. PLATFORM CONSOLE ASSEMBLY WITHOUT ADE SYSTEM (CONTINUED)

ITEM #	PART NUMBER	QTY.	DESCRIPTION	REV.
64	3300408	4	Locknut #10-24NC (Poly Box Only)	
65	4761000	6	Lockwasher #10	
66	1704260	1	Decal - EMS	
67	3520173	4	Plug, Hole (Poly Box Only)	
68	3740049	5	Relay, Bosch	
69	Not Used			
70	0100020	AR	Sealant	
71	1703090	1	Decal - Control Card (Lift)	
72	1703091	1	Decal - Control Card (Swing)	
73	1703092	1	Decal - Control Card (Flow Control)	
74	1703093	1	Decal - Control Card (Drive)	
75	1600218	4	Card, Control	
76	3538819	1	Plate, Mounting	
77	3910610	16	Screw, Machine #6-32NC x 5/8in	
78	0641406	3	Capscrew, Socket Head 1/4in-20NC x 3/4in	
79	3311001	4	Nut #10-32NC	
80	2420194	1	Gauge, Fuel	
	1001109194		----- Replacement Decal Kit (Includes Items 7-11, 66 & 201 items p/n 1704484, 1704485 & 1704487)	
	4922340	Ref	ELECTRICAL COMPONENTS INSTALLATIONS	7
101 to 141	Not Used			
142	4460234	10	Base, Tie-Strap (Not Shown)	
143	2920129	10	Bulb, Light	
144 to 167	Not Used			
168	4120035	10	Socket, Light	
169 to 179	Not Used			
180	3641182	1	Track	
181	4460601	10	Block, Terminal	
182	4460607	2	Stop, End	
183	4460602	1	Barrier, Terminal	
184	4460629	2	Marker, Terminal (6-15)	
185	4460603	1	Bar, Buss - 10 Position (Cut into [2] 5 Position Bars)	
186	4460600	10	Block, Terminal	
187	4460631	1	Marker, Terminal (Negative)	
188	4460632	4	Marker, Terminal (1-5)	
189	4120013	2	Socket, Relay	
190	4460613	1	Connector - 21 Position	
191	4460503	1	Connector - 31 Position	

SECTION 4 PLATFORM

FIGURE 4-5. PLATFORM CONSOLE ASSEMBLY WITHOUT ADE SYSTEM (CONTINUED)

ITEM #	PART NUMBER	QTY.	DESCRIPTION	REV.
		Ref	LIGHT PANEL DECAL INSTALLATIONS	
	0259962	Ref	400S with 500LB Capacity	1
	0259963	Ref	460SJ (No Dual Capacity)	1
	0259964	Ref	400S with 230KG Capacity	1
	0259965	Ref	400S with 750LB Capacity	1
	0259968	Ref	400S with 340KG Capacity	1
201		1	Decal Options:	
	1704484		400S with 500LB Capacity	
	1704485		460SJ (No Dual Capacity)	
	1704486		400S with 230KG Capacity	
	1704487		400S with 750LB Capacity	
	1704514		400S with 340KG Capacity	
		Ref	OPTIONAL SWITCH INSTALLATIONS	
301	0259137	Ref	Dual Fuel Switch Installation	6
	4360336	1	Switch, Toggle	
	3790012	1	O-Ring	
302	0258608	Ref	Jib Switch Installation	A
	4360314	1	Switch, Toggle	
	3790012	1	O-Ring	
	4932980	Ref	SOFT TOUCH PLATFORM COMPONENTS (OPTIONAL) (NOT SHOWN)	2/C
	3740057	1	Relay	
	4120012	1	Relay, Socket	
	3740066	1	Spring, Relay Hold-Down	
	3740049	1	Relay	

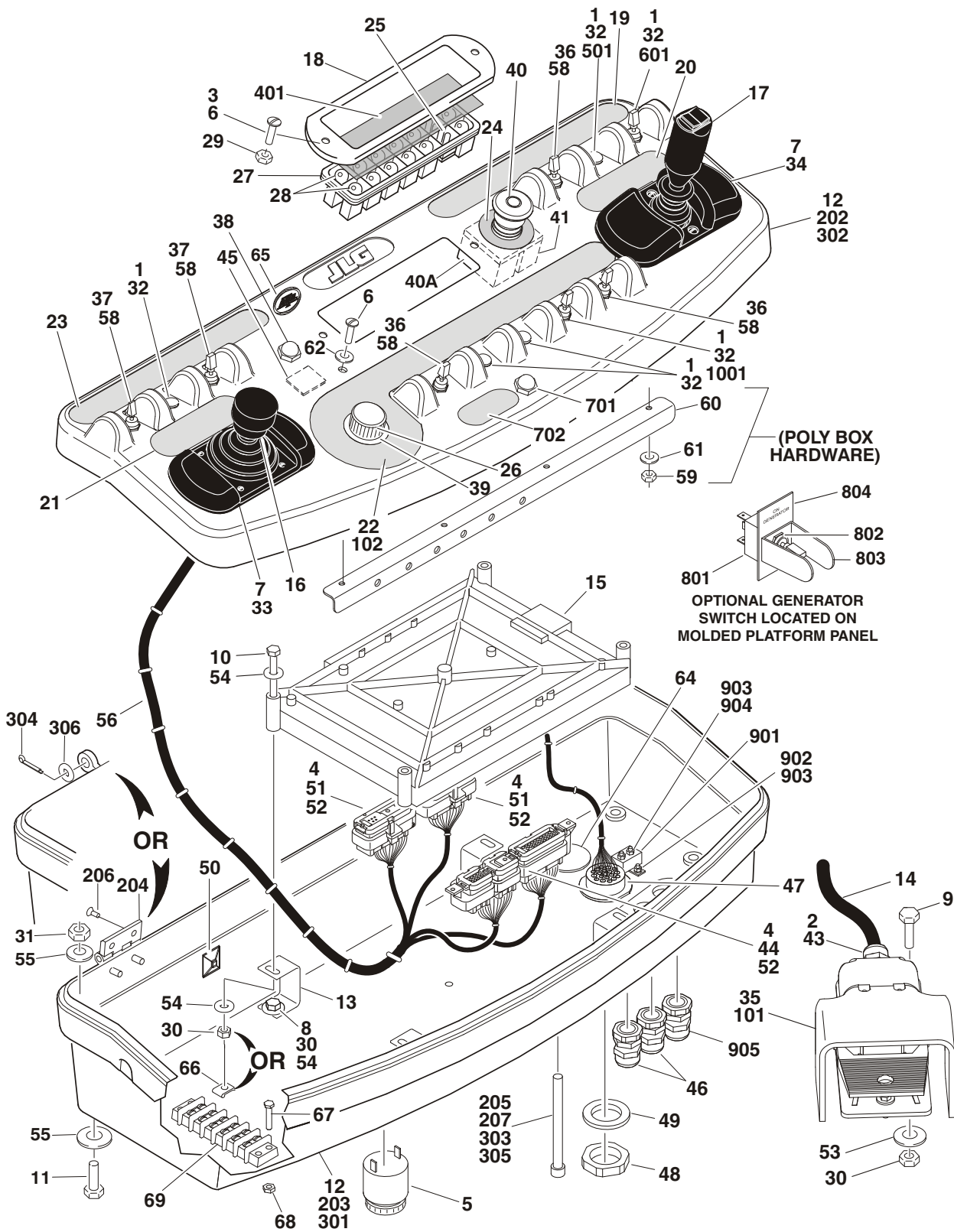
SECTION 4 PLATFORM

FIGURE 4-5. PLATFORM CONSOLE ASSEMBLY WITHOUT ADE SYSTEM (CONTINUED)

ITEM #	PART NUMBER	QTY.	DESCRIPTION	REV.

SECTION 4 PLATFORM

FIGURE 4-6. PLATFORM CONSOLE ASSEMBLY WITH ADE SYSTEM



SECTION 4 PLATFORM

FIGURE 4-6. PLATFORM CONSOLE ASSEMBLY WITH ADE SYSTEM

ITEM #	PART NUMBER	QTY.	DESCRIPTION	REV.
		Ref	PLATFORM CONSOLE ASSEMBLIES	
	0861510	Ref	POLY BOX (Prior to SN 0300068222)	D
	0861509	Ref	ALUMINUM BOX (Prior to SN 0300068222)	D
	0861571	Ref	DIE CAST BOX (SN 0300068222 to SN 0300096000)	E
1	0100009	AR	Sealant	
2	0100020	AR	Sealant	
3	0100035	AR	Compound, Locking	
4	0100048	AR	Grease, Dielectric	
5	0140011	1	Alarm	
6	0630464	2	Screw, Button Head #10-24NC x 1/2in	
7	0641404	AR	Bolt 1/4in-20NC x 1/2in	
8	0641406	4	Bolt 1/4in-20NC x 3/4in	
9	0641408	3	Bolt 1/4in-20NC x 1in (Prior to SN 0300065174)	
10	0641414	4	Bolt 1/4in-20NC x 1-3/4in	
11	0641610	4	Bolt 3/8in-16NC x 1-1/4in (Prior to SN 0300065174)	
12		1	Box, Console Options:	
	0861414		Box, Console - Aluminum (See Items 201-208 for Breakdown) (Prior to SN 0300068222)	
	0861392		Box, Console - Poly (Prior to SN 0300068222)	
	0861537		Box, Console - Aluminum (See Items 301-306 for Breakdown) (SN 0300068222 to SN 0300096000)	
13	0902751	4	Bracket, Support	
14	1060918	8ft/2.4mm	Cable, Electrical - 18/3	
15		1	Controller, Module Options:	
	1600313		Prior to SN 0300077683	
	1600375		SN 0300077683 to SN 0300096000	
16	Use 1001129555	1	Controller Assembly (Lift & Swing) (See CONTROLLER ASSEMBLY (LIFT & SWING) (WITH ADE SYSTEM) for Breakdown) (was p/n 1600317 & 1001118417)	
17	Use 1001118416	1	Controller Assembly (Drive & Steer) (See CONTROLLER ASSEMBLY (DRIVE & STEER) (WITH ADE SYSTEM) for Breakdown) (was p/n 1600318)	
18	1670829	1	Bezel	
19		1	Decal (Stop) Options:	
	1702564		Prior to SN 0300073084	
	1704997		SN 0300073084 to SN 0300096000	
20	1702565	1	Decal (Drive and Steer)	
21	1702566	1	Decal (Lift and Swing)	
22	1702567	1	Decal (Function Speed)	
23	1702676	1	Decal (Horn)	
24	1704260	1	Decal - EMS	
25	2420197	1	Gauge, Fuel	
26	2560136	1	Handle, Knob	
27	2760109	1	Housing, Display Light	
28	2920129	11	Bulb, Light	
29	3300408	2	Insert, Nylon	
30	3311405	8	Locknut 1/4in-20NC	
31	3311605	4	Locknut 3/8in-16NC (Prior to SN 0300065174)	

SECTION 4 PLATFORM

FIGURE 4-6. PLATFORM CONSOLE ASSEMBLY WITH ADE SYSTEM (CONTINUED)

ITEM #	PART NUMBER	QTY.	DESCRIPTION	REV.
32	3520028 3520054	6	Plug, Hole Options: Prior to SN 0300077683 (1/2in) SN 0300077683 to SN 0300096000 (7/16in)	
33	4340678	1	Support, Hand (Aluminum Box) (Left Side) (Prior to SN 0300068222)	
34	4340684	1	Support, Hand (Aluminum Box) (Right Side) (Prior to SN 0300068222)	
35	4360031	1	Footswitch	
36	4360328	4	Switch, Toggle	
37	4360331	1	Switch, Toggle	
38	4360387	1	Switch, Pushbutton	
39	4360407	1	Controller, Speed	
40	4360475	1	Switch, Emergency Stop	
	7020175	1	Cap, Red	
40A	7020176	1	Contact Block	
41	4360476	1	Block, Contact	
42	Not Used			
43	4460071	1	Connector, Strain Relief	
44	4460226	2	Socket, Contact	
45	4460234	3	Mount, Tie-Strap	
46	4460428	2	Connector, Strain Relief	
47	4460464	1	Terminal, Deutsch	
48	4460470	1	Nut, Terminal	
49	4460471	1	Lockwasher, Terminal	
50	4460488	1	Base, Mounting	
51	4460708	2	Connector - 15 Position	
52	4460905	5	Seal, Plug	
53	4740362	3	Washer, Fender (Prior to SN 0300065174)	
54	4751400	AR	Flatwasher 1/4in Regular	
55	4751600	9	Flatwasher 3/8in Regular (Prior to SN 0300065174)	
56	4922665	1	Harness, Platform Box (See ELECTRICAL SECTION for Breakdown)	
57	4922666	1	Harness, Analyzer Cable (Not Shown - See ELECTRICAL SECTION for Breakdown)	
58	3790012	5	O-Ring	
59	3311005	4	Locknut #10-24NC	
60	3571222	1	Plate, Relay Mounting	
61	4751000	4	Flatwasher #10 Regular	
62	4740120	4	Washer Nylon (SN 0300066372 to SN 0300096000)	
63	0100081	AR	Loctite #454 (Not Shown) (SN 0300068222 to SN 0300096000)	
64	1671037	1	Cover (SN 0300068222 to SN 0300096000)	
65	1705132	1	Decal - ADE (SN 0300068222 to SN 0300096000)	
66	3300353	4	Nut, Tinnerman (SN 0300068222 to SN 0300096000)	
67	0721008	1	Screw #10-24NC x 1in (SN 0300073084 to SN 0300096000 Only)	
68	3311001	1	Nut #10-24NC (SN 0300073084 to SN 0300096000 Only)	
69	4460007	1	Strip, Terminal (SN 0300073084 to SN 0300096000 Only)	

101	0272970	1	Footswitch Kit - Preamsembled (Includes Items 2, 14, 35 & 43)	A

SECTION 4 PLATFORM

FIGURE 4-6. PLATFORM CONSOLE ASSEMBLY WITH ADE SYSTEM (CONTINUED)

ITEM #	PART NUMBER	QTY.	DESCRIPTION	REV.
102	2910865	1	Replacement Decal Kit (Includes Items 19 - 24, 65 & 401):	
	0861414	Ref	CONSOLE BOX ASSEMBLY (PRIOR TO SN 0300068222)	C
201	0100011	AR	Compound, Locking (Not Shown)	
202	Use 0861414	1	Console Top (Note: Not Available for Purchase)	
203	Use 0861414	1	Console Bottom (Note: Not Available for Purchase)	
204	2600211	2	Hinge	
205	3311601	1	Nut 3/8in-16NC	
206	3900224	8	Screw Countersunk	
207	3931672	1	Screw 3/8in-16NC x 4-1/2in	
208	3520174	3	Plug, Hole (Not Shown - Located in Back of Lid)	
	0861537	Ref	CONSOLE BOX ASSEMBLY (SN 0300068222 to SN 0300096000)	C
301	Use 0861537	1	Console Bottom (Note: Not Available for Purchase)	
302	Use 0861537	1	Console Top (Note: Not Available for Purchase)	
303	3311601	1	Nut 3/8in-16NC	
304		2	Pin Options:	
	3450304		Pin, Cotter	
	3420156		Hairpin	
305	0630568	1	Screw 3/8in-16NC x 4-1/2in	
306	4711500	2	Flatwasher 5/16in Thin	
		Ref	Light panel decal installations	
	0259962	Ref	400S with 500LB Capacity	1
	0259963	Ref	460SJ (No Dual Capacity)	1
	0259964	Ref	400S with 230KG Capacity	1
	0259965	Ref	400S with 750LB Capacity	1
	0259968	Ref	400S with 340KG Capacity	1
401		1	Decal Options:	
	1704484		400S with 500LB Capacity	
	1704485		460SJ (No Dual Capacity)	
	1704486		400S with 230KG Capacity	
	1704487		400S with 750LB Capacity	
	1704514		400S with 340KG Capacity	
	0271246	Ref	DUAL FUEL SWITCH INSTALLATION	3/C
501	4360336	1	Switch, Toggle	
	3790012	1	O-Ring	

SECTION 4 PLATFORM

FIGURE 4-6. PLATFORM CONSOLE ASSEMBLY WITH ADE SYSTEM (CONTINUED)

ITEM #	PART NUMBER	QTY.	DESCRIPTION	REV.
		Ref	LIGHTS INSTALLATION (OPTIONAL)	
	0271343	Ref	Headlights & Taillights Prior to SN 0300064509	2
	0272018	Ref	Headlights & Taillights SN 0300064509 to SN 0300096000	1
	0274574	Ref	Chassis Illumination Lights SN 0300064509 to SN 0300096000	1
601	4360336	1	Switch, Toggle	
	3790012	1	O-Ring	
	0271355	Ref	SOFT TOUCH SYSTEM INSTALLATION (OPTIONAL)	B
701	4360387	1	Switch, Pushbutton	
702	1702938	1	Decal - Soft Touch Override	
		Ref	GENERATOR INSTALLATION (OPTIONAL)	
801	4360336	1	Switch, Toggle	
802	4740397	1	Bushing	
803	4060802	1	Guard, Switch	
804	3251102	1	Decal - Generator ON/OFF	
	0270814	Ref	PLATFORM WORKLIGHT INSTALLATION (OPTIONAL)	3
901	4360232	1	Breaker, Circuit - 15Amp	
902	0721003	2	Bolt #10-24NC x 3/8in	
903	4761000	4	Lockwasher #10	
904	3311001	2	Nut #10-24NC	
905	4460598	1	Connector, Strain Relief	
	0271340	Ref	JIB SWITCH INSTALLATION (460SJ ONLY)	1/A
1001	4360328	1	Switch, Toggle	
	3790012	1	O-Ring	

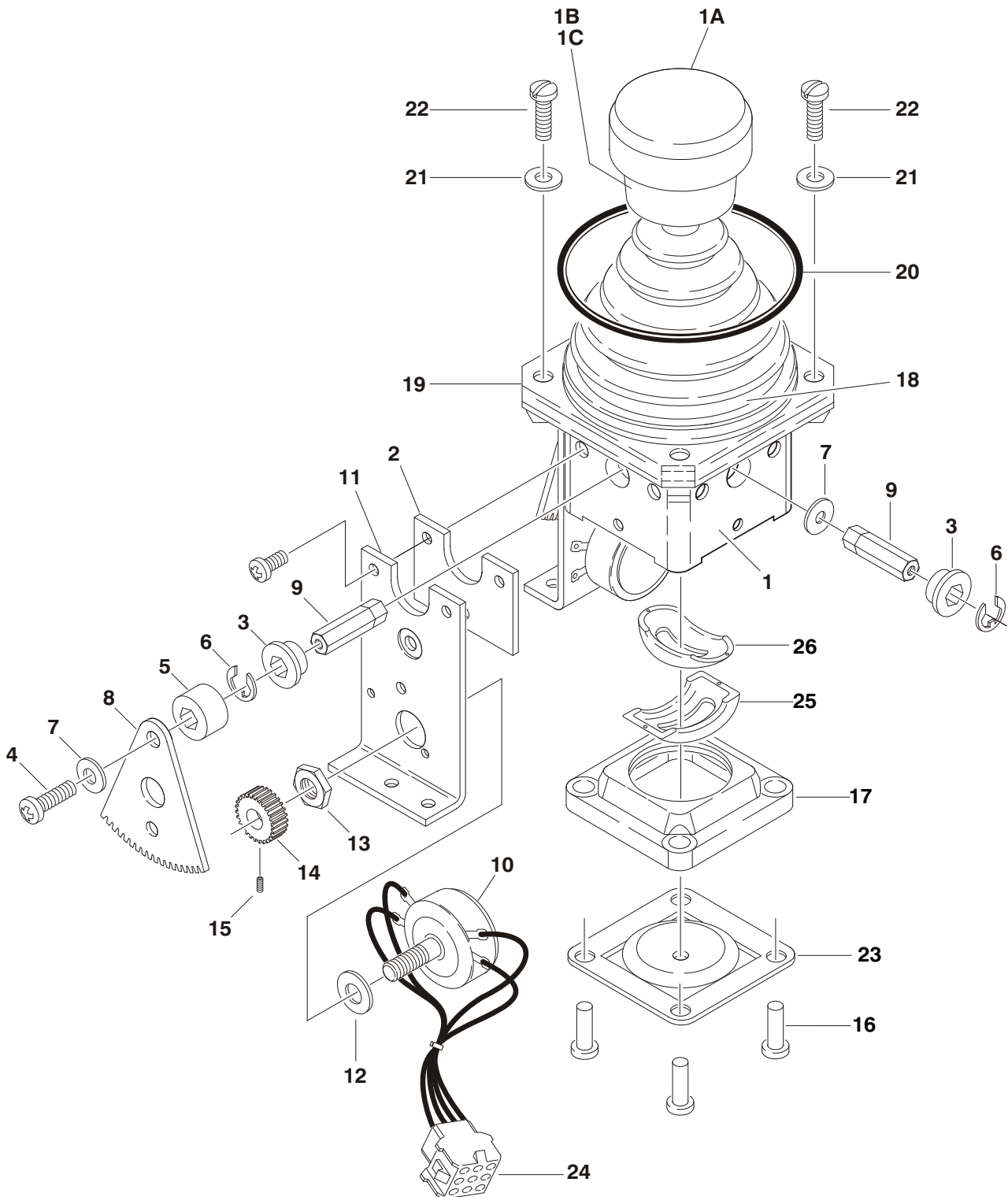
SECTION 4 PLATFORM

FIGURE 4-6. PLATFORM CONSOLE ASSEMBLY WITH ADE SYSTEM (CONTINUED)

ITEM #	PART NUMBER	QTY.	DESCRIPTION	REV.

SECTION 4 PLATFORM

FIGURE 4-7. CONTROLLER ASSEMBLY (SWING AND LIFT) (WITHOUT ADE SYSTEM)



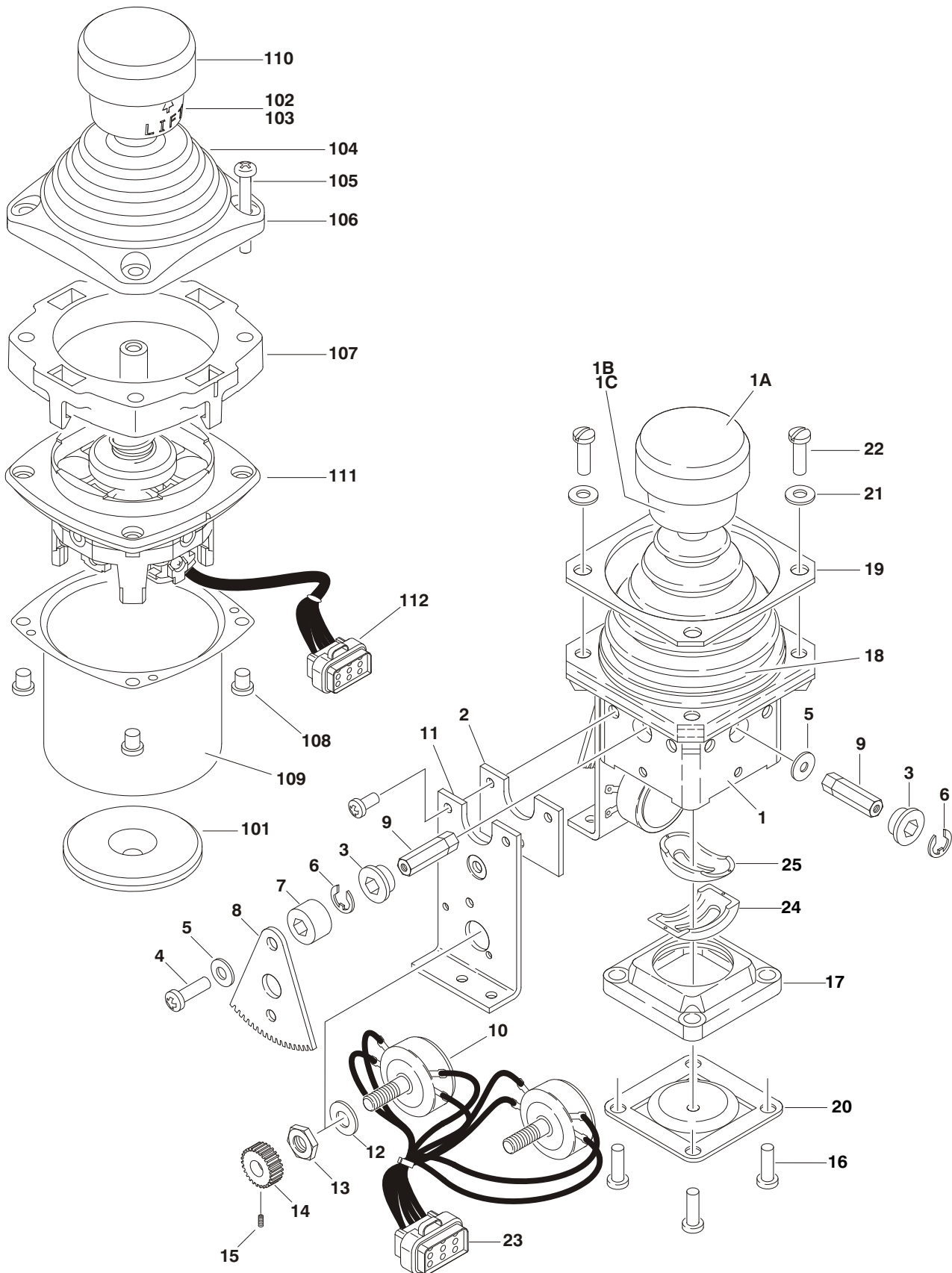
SECTION 4 PLATFORM

FIGURE 4-7. CONTROLLER ASSEMBLY (SWING AND LIFT) (WITHOUT ADE SYSTEM)

ITEM #	PART NUMBER	QTY.	DESCRIPTION	REV.
	1600284	Ref	CONTROLLER ASSEMBLY	A
1	7019141	1	Mechanical Assembly (Includes Base, Handle Stem & Items 1A, 1B, 1C & 18)	
1A	7019197	1	Cap and Rod	
1B	7003928	1	Spring	
1C	7022808	1	Cap, Lift	
2	7019171	2	Plate	
3	7019111	4	Bearing, Gear	
4	7019143	2	Screw	
5	7019144	2	Spacer, Cam	
6	7019145	4	E-Clip	
7	7019174	2	Spacer	
8	7003977	2	Gear, Drive	
9	7019147	4	Shaft	
10	7003974	2	Potentiometer	
11	7019142	2	Plate	
12	7003992	2	Washer	
13	7003993	2	Nut	
14	7003976	2	Gear, Slave	
15	7019149	2	Setscrew	
16	7003952	4	Screw	
17	7019150	1	Gate	
18	Use 7022813	1	Boot (was p/n 7003955)	
19	Use 7022813	1	Plate, Plastic (was p/n 7003954)	
20	7003956	1	O-Ring	
21	7003953	4	Washer	
22	7019137	4	Screw	
23	See Note	1	Center, Detent (Note: Not Available for Purchase)	
24	4460266	1	Connector - 9 Pin	
	4460268	8	Socket, Female	
	4460265	1	Plug - 9 Pin (Part of Platform Wiring) (Not Shown)	
	4460267	8	Pin, Male (Part of Platform Wiring) (Not Shown)	
25	7019122	1	Gimble, Outer	
26	7019123	1	Gimble, Inner	

SECTION 4 PLATFORM

FIGURE 4-8. CONTROLLER ASSEMBLY (SWING AND LIFT) (WITH ADE SYSTEM)



SECTION 4 PLATFORM

FIGURE 4-8. CONTROLLER ASSEMBLY (SWING AND LIFT) (WITH ADE SYSTEM)

ITEM #	PART NUMBER	QTY.	DESCRIPTION	REV.
		Ref	Note: Original Equipment controller may have been replaced with Service Replacement controller. Visually identify controller before ordering parts.	
		Ref	CONTROLLER ASSEMBLY	
		Ref	Controller Assembly (OEM)	C
1	7019141	1	Mechanical Assembly (Includes Base, Handle Stem & Items 1A, 1B, 1C & 18)	
1A	7019197	1	Handle Cap & Rod	
1B	7003928	1	Spring	
1C	7022808	1	Cap, Lift	
2	7019171	2	Plate	
3	7019111	4	Bearing, Gear	
4	7019143	2	Screw	
5	7019144	2	Spacer, Cam	
6	7019145	4	E-Clip	
7	7019174	2	Spacer	
8	7003977	2	Gear, Drive	
9		2	Shaft Options:	
	7019147		Shaft, Short	
	7019177		Shaft, Long	
10	7022818	2	Potentiometer	
11	7019142	2	Plate	
12	7003992	2	Washer	
13	7003993	2	Nut	
14	7003976	2	Gear, Slave	
15	7019149	2	Setscrew	
16	7022816	4	Screw	
17	7019150	1	Gate	
18	7022814	1	Boot	
19	7022815	1	Bezel	
20	See Note	1	Center, Detent (Note: Not Available for Purchase)	
21	7003953	4	Washer	
22	7022817	4	Screw	
23	7022819	1	Plug, Male 8 Position (Natural)	
	4460871	8	Socket, Female	
24	7019122	1	Gimble, Outer	
25	7019123	1	Gimble, Inner	
	Use 1001129555	Ref	Controller Assembly (Service Replacement)	B
		Ref	Note: Was p/n 1001118417 Assembly - Use p/n 1001129555 Kit as replacement.	
101	70002730	1	Gasket	
102	7003928	1	Spring	
103	7022808	1	Cap, Lift	
104	70002731	1	Boot	
105	70002732	4	Screw	
106	7022815	1	Bezel	

SECTION 4 PLATFORM

**FIGURE 4-8. CONTROLLER ASSEMBLY (SWING AND LIFT) (WITH ADE SYSTEM)
(CONTINUED)**

ITEM #	PART NUMBER	QTY.	DESCRIPTION	REV.
107	70002733	1	Adapter	
108	70002734	4	Screw	
109	70002735	1	Can, Enclosure	
110	70002906	1	Cap	
111	Use 1001129555	1	Mechanical Assembly (Note: Not Available for Purchase)	
112	7022819	1	Plug, Male 8 Position (Natural) (Not Shown)	
	4460871	6	Socket, Female	

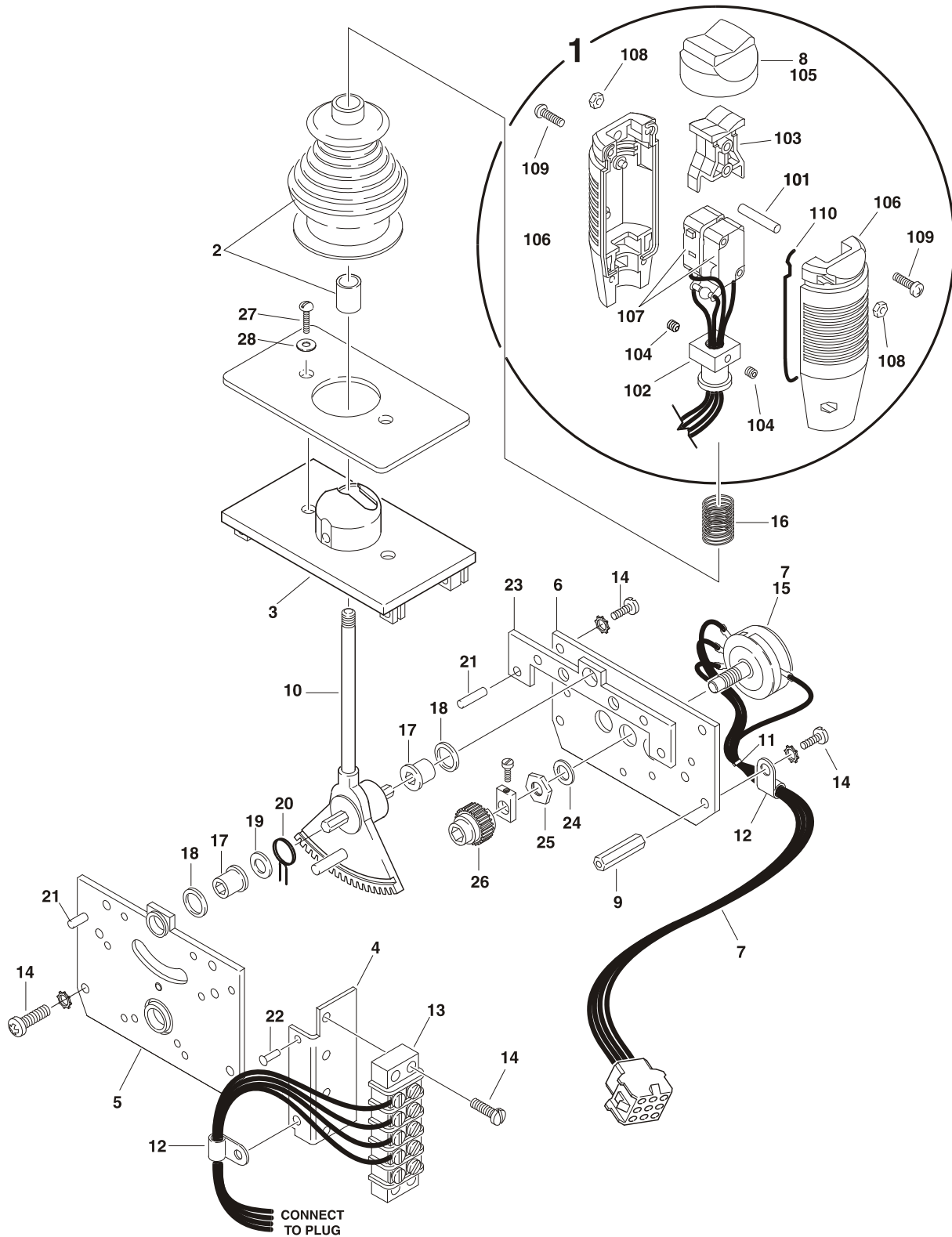
SECTION 4 PLATFORM

**FIGURE 4-8. CONTROLLER ASSEMBLY (SWING AND LIFT) (WITH ADE SYSTEM)
(CONTINUED)**

ITEM #	PART NUMBER	QTY.	DESCRIPTION	REV.

SECTION 4 PLATFORM

FIGURE 4-9. CONTROLLER ASSEMBLY (DRIVE AND STEER) (WITHOUT ADE SYSTEM)



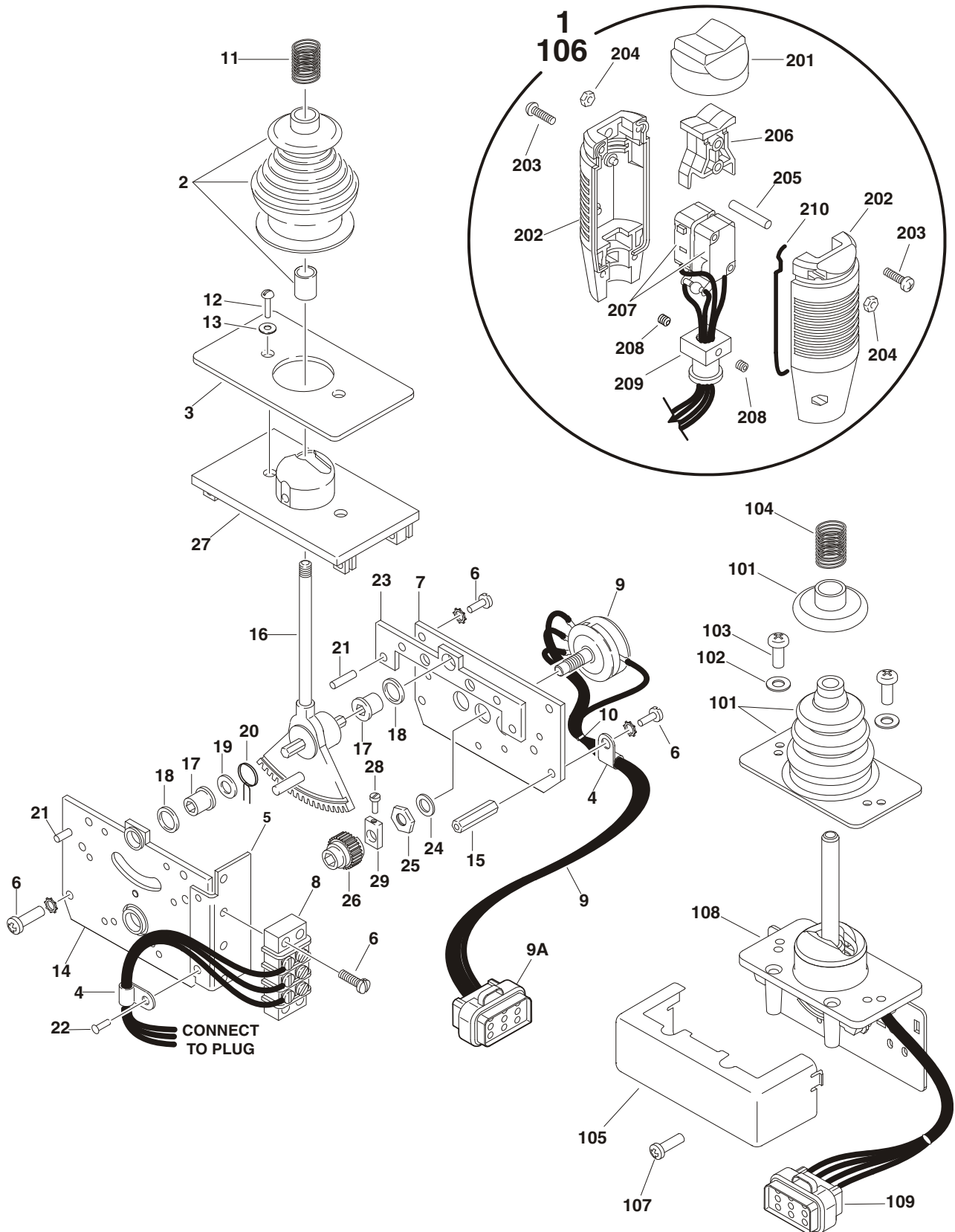
SECTION 4 PLATFORM

FIGURE 4-9. CONTROLLER ASSEMBLY (DRIVE AND STEER) (WITHOUT ADE SYSTEM)

ITEM #	PART NUMBER	QTY.	DESCRIPTION	REV.
	1600283	Ref	CONTROLLER ASSEMBLY	A
1		1	Handle Assembly (See items 101-110 for Breakdown)	
2	7019161	1	Boot and Sleeve	
3	7019160	1	Cast Housing Assembly	
4	7019159	1	Bracket, Mounting	
5	7019158	1	Plate, Mounting (Left Side)	
6	7019157	1	Plate, Pot Mounting	
7	7019156	1	Electric Assembly	
8	7003972	1	Boot, Rocker	
9	7019115	2	Stand-Off	
10	7019155	1	Shaft 8mm	
11	7019151	AR	Tie-Strap	
12	7019154	2	Clamp, Wire	
13	7019153	1	Strip, Terminal - 5 Position	
14	7019117	8	Screw	
15	7019163	1	Potentiometer Coupling Assembly	
16	7019162	1	Spring	
17	7019111	2	Bearing	
18	7019110	2	Spacer, Head Gear	
19	7019112	1	Washer	
20	7003946	1	Spring, Return	
21	7019103	4	Pin	
22	See Note	1	Rivet (Note: Not Available for Purchase)	
23	7019168	1	Plate, Mounting (Right Side)	
24	7003992	1	Washer	
25	7003993	1	Nut	
26	7003935	1	Gear, Slave	
27	7003969	2	Screw	
28	7003941	2	Washer	
		Ref	HANDLE ASSEMBLY	
101	7019164	1	Axle	
102	7019194	1	Coupling	
103	7019165	1	Rocker	
104	7003983	2	Setscrew	
105	7003972	1	Boot, Switch	
106	7003973	2	Half, Handle	
107	7019166	2	Switch, Micro	
108	7019167	4	Nut	
109	7003980	4	Screw	
110	7003989	2	Gasket	

SECTION 4 PLATFORM

FIGURE 4-10. CONTROLLER ASSEMBLY (DRIVE AND STEER) (WITH ADE SYSTEM)



SECTION 4 PLATFORM

FIGURE 4-10. CONTROLLER ASSEMBLY (DRIVE AND STEER) (WITH ADE SYSTEM)

ITEM #	PART NUMBER	QTY.	DESCRIPTION	REV.
		Ref	Note: Original Equipment controller may have been replaced with Service Replacement controller. Visually identify controller before ordering parts.	
		Ref	CONTROLLER ASSEMBLY	
	1600318	Ref	Controller Assembly (Original Equipment)	D
1	7022812	1	Handle Assembly (See Items 201-210 for Breakdown)	
2	7019161	1	Boot and Sleeve	
3	7003933	1	Gasket	
4	7019154	2	Clamp, Wire	
5	7022823	1	Bracket, Mounting	
6	7003994	1	Screw	
7	7022822	1	Plate, Pot Mounting	
8	7003986	1	Strip, Terminal - 3 Position	
9	7022824	1	Electric Assembly	
9A	Use 1001113961	1	Plug, Male - 8 Position (Black) (was p/n 7022825)	
	4460871	7	Socket, Female	
10	7019151	AR	Tie-Strap	
11	7019162	1	Spring	
12	7003969	2	Screw	
13	7003941	2	Washer	
14	See Note	1	Plate, Mounting (Left Side) (Note: Not Available for Purchase)	
15	7019115	2	Stand-Off	
16	7019155	1	Shaft 8mm	
17	7019111	2	Bearing	
18	7019110	2	Spacer, Head Gear	
19	7019112	1	Washer	
20	7003946	1	Spring, Return	
21	7019103	4	Pin	
22	See Note	1	Rivet (Note: Not Available for Purchase)	
23	7019168	1	Plate, Mounting (Right Side)	
24	7003992	1	Washer	
25	7003993	1	Nut	
26	7003935	1	Gear, Slave	
27	7019160	1	Plate, Base	
28	See Note	1	Screw 3x6 DIN 916 (Note: Not Available for Purchase)	
29	7019114	1	Coupling, Potentiometer	
	1001118416	Ref	Controller Assembly (Service Replacement)	A
101	70002724	1	Boot & Control Lock Assembly	
102	7003941	2	Washer	
103	70002725	2	Screw	
104	7019162	1	Spring	
105	70002726	1	Enclosure	
106	70002727	1	Handle Assembly (See Items 201-210 for Breakdown)	
107	70002728	1	Screw	
108	Use 1001118416	1	Mechanical Assembly (Note: Not Available for Purchase)	

SECTION 4 PLATFORM

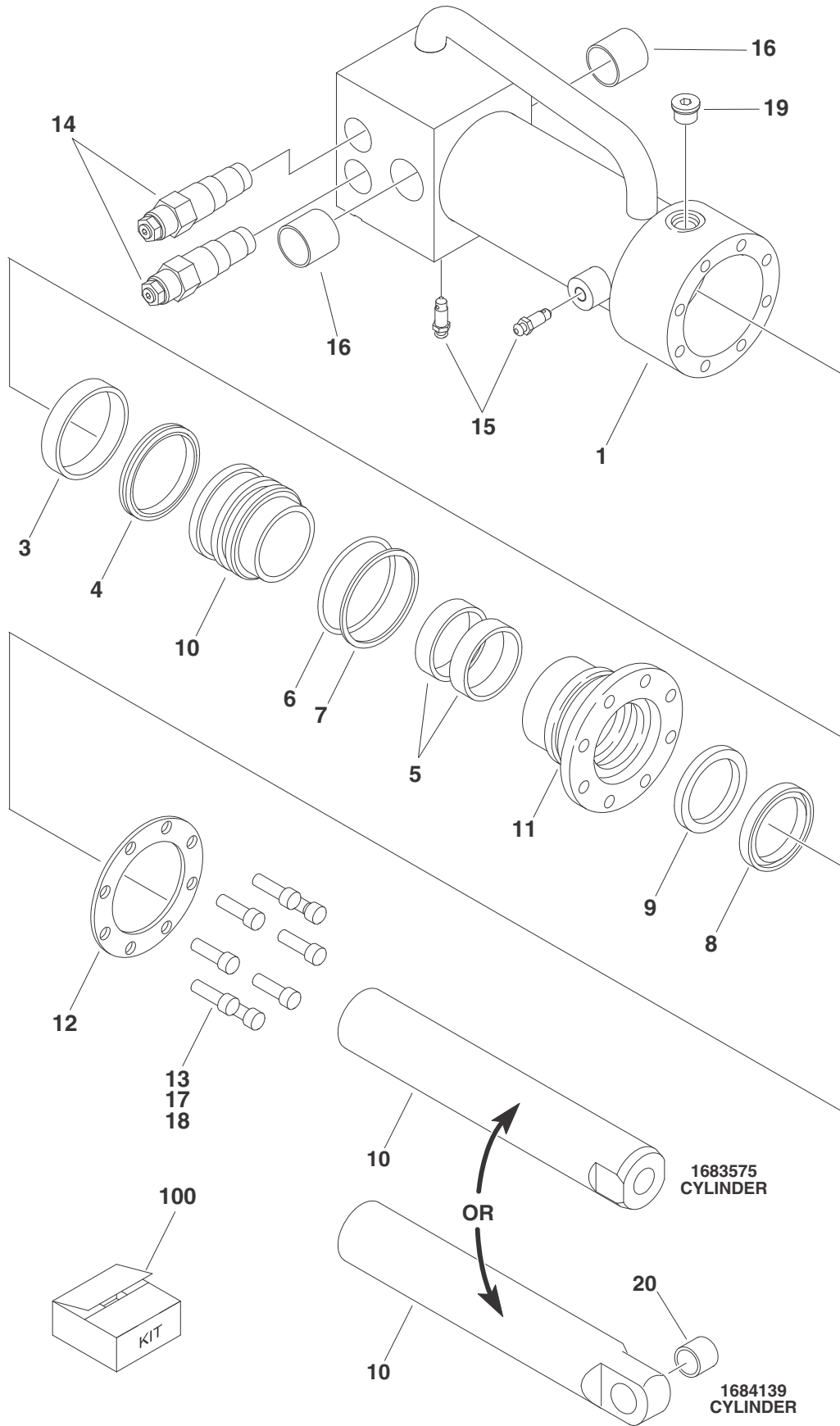
**FIGURE 4-10. CONTROLLER ASSEMBLY (DRIVE AND STEER) (WITH ADE SYSTEM)
(CONTINUED)**

ITEM #	PART NUMBER	QTY.	DESCRIPTION	REV.
109	7022825	1	Plug, Male - 8 Position (Black)	
	4460871	7	Socket, Female	
		Ref	HANDLE ASSEMBLIES	
	7022812	Ref	Controller Assembly p/n 1600318	
	70002727	Ref	Controller Assembly p/n 1001118416	
201	7003972	1	Boot, Switch	
202	7003973	2	Half, Handle	
203	7003980	4	Screw	
204	7019167	4	Nut	
205	7019164	1	Axle	
206	7019165	1	Rocker	
207		1	Wiring Assembly Options:	
	7019196		Controller Assembly p/n 1600318	
	7019166	2	Switch, Micro	
	70002729		Controller Assembly p/n 1001118416	
	7003982	2	Switch, Micro	
208	7003983	2	Setscrew	
209	7019194	1	Coupling	
210	7003989	2	Gasket	

SECTION 5 CYLINDER

SECTION 5 CYLINDER

FIGURE 5-1. AXLE LOCKOUT CYLINDER ASSEMBLY



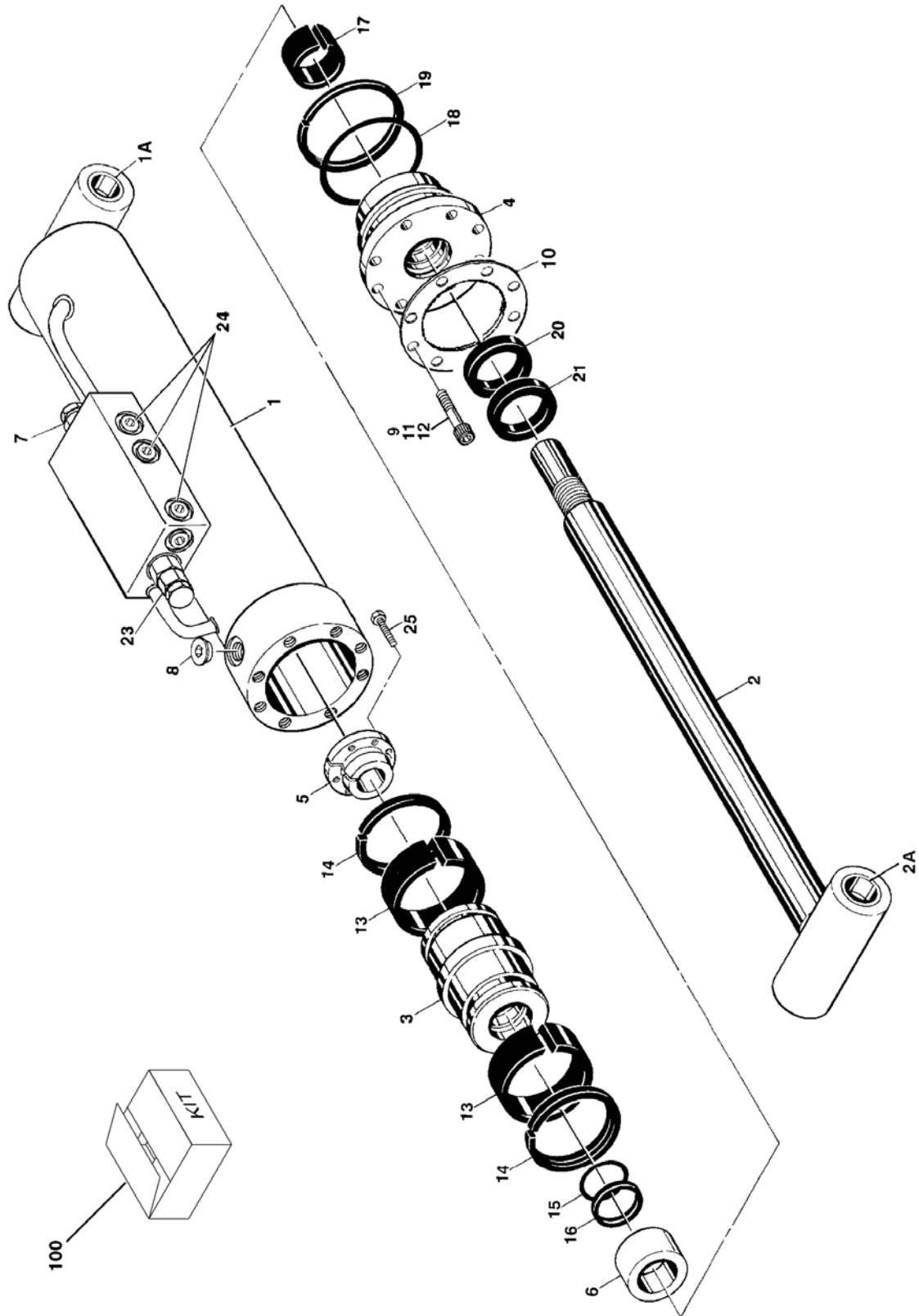
SECTION 5 CYLINDER

FIGURE 5-1. AXLE LOCKOUT CYLINDER ASSEMBLY

ITEM #	PART NUMBER	QTY.	DESCRIPTION	REV.
		Ref	Note: Original Equipment Cylinder may have been replaced with Service Replacement Cylinder. Identify p/n stamped on cylinder before ordering parts.	
		Ref	AXLE LOCKOUT CYLINDER ASSEMBLIES	
	1683575	Ref	Prior to SN 0300065402 (Original Equipment)	E
	1684139	Ref	Prior to SN 0300065402 (Service Replacement)	D
	1684139	Ref	SN 0300065402 to SN 0300096000	D
1	1683572	1	Barrel Weldment	
2	Not Used			
3	Use 2901548	1	Ring, Wear	
4	Use 2901548	1	T-Seal	
5	Use 2901548	2	Ring, Wear	
6	Use 2901548	1	O-Ring	
7	Use 2901548	1	Ring, Back-up	
8	Use 2901548	1	Wiper	
9	Use 2901548	1	Seal	
10		1	Rod Weldment Options:	
	1683574		1683575 Cylinder	
	1684138		1684139 Cylinder	
11	1683076	1	Cap	
12	3760367	1	Ring, Washer	
13	3931516	8	Bolt, Socket Head 5/16in-18NC x 2in	
14	4641162	2	Cartridge, Valve (Counterbalance)	
	2900770	2	Seal Kit - 4641162 Valve (1 Per Assembly)	
15	4640858	2	Valve, Bleeder	
16		2	Bushing Options:	
	Use 0962474		1683575 Cylinder (was p/n 0961890)	
	0962474		1684139 Cylinder	
17	0100011	AR	Compound, Locking	
18	0100038	AR	Primer, Locking	
19	2220885	1	Plug, O-Ring	
20	0962140	1	Bushing (1684139 Cylinder Only)	
100	2901548	1	Seal Kit (Includes Items 3-9)	

SECTION 5 CYLINDER

FIGURE 5-2. LEVEL (PLATFORM SLAVE) CYLINDER ASSEMBLY



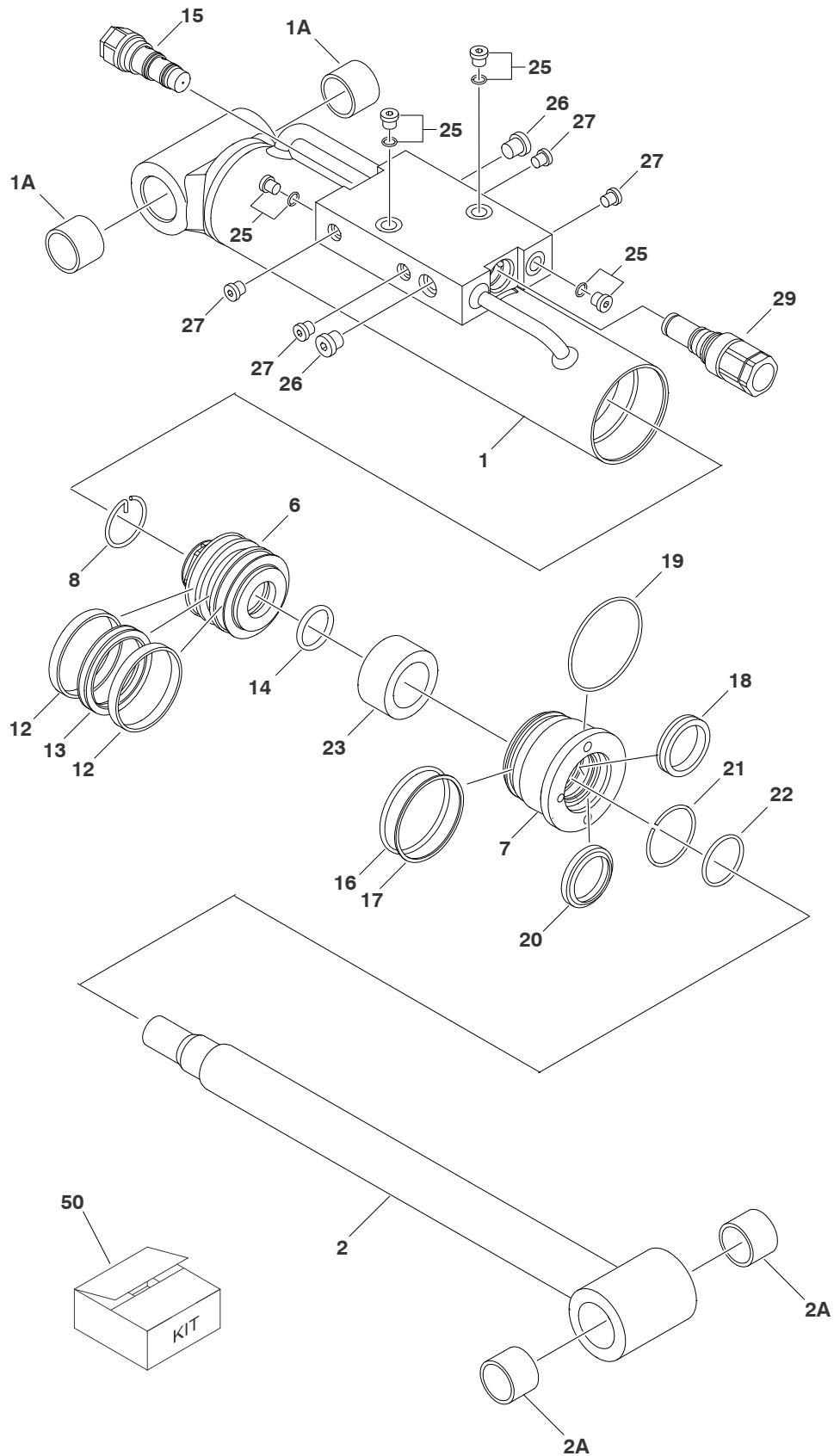
SECTION 5 CYLINDER

FIGURE 5-2. LEVEL (PLATFORM SLAVE) CYLINDER ASSEMBLY

ITEM #	PART NUMBER	QTY.	DESCRIPTION	REV.
		Ref	Note: Original Equipment Cylinder may have been replaced with Service Replacement Cylinder. Identify p/n stamped on cylinder before ordering parts.	
	See Note	Ref	PLATFORM LEVEL CYLINDER ASSEMBLIES	
		Ref	400S (Original Equipment was p/n 1683778) (Note: See Next Illustration for Service Replacement)	E
	1684013	Ref	460SJ	A
1	1683952	1	Barrel Weldment (Note: Does not Include Item 1A - Purchase Separately)	
1A	0961951	2	Bushing	
2		1	Rod Weldment Options (Note: Does not Include Item 2A - Purchase Separately):	
	1683861		400S	
	1684012		460SJ	
2A	0961951	2	Bushing	
3	3480188	1	Piston	
4	1683055	1	Head	
5	0961894	1	Bushing, Tapered	
6	4566468	1	Spacer	
7	4640509	1	Cartridge, Valve	
	2900792	1	Seal Kit - 4640509 Valve	
8	2220885	1	Plug, O-Ring	
9	3931620	8	Capscrew, Socket Head 3/8in-16NC x 1-1/4in	
10	3760369	1	Ring, Washer	
11	0100011	AR	Compound, Locking	
12	0100038	AR	Primer, Locking	
13	Use 2901301	2	Seal	
14	Use 2901301	2	Ring, Lock	
15	Use 2901301	1	O-Ring	
16	Use 2901301	1	Ring, Back-up	
17	Use 2901301	1	Ring, Wear	
18	Use 2901301	1	O-Ring	
19	Use 2901301	1	Ring, Back-up	
20	Use 2901301	1	Seal, Rod	
21	Use 2901301	1	Wiper	
22	Not Used			
23	4640932	1	Cartridge, Valve	
	7011112	1	Seal Kit	
24	2220883	8	Plug, O-Ring	
25	0630535	3	Screw, Socket Head 1/4in-20NC x 1-1/8in	
100	2901301	1	----- Seal Kit (Includes Items 13-21)	

SECTION 5 CYLINDER

FIGURE 5-3. LEVEL (PLATFORM SLAVE) CYLINDER ASSEMBLY (400S - SERVICE REPLACEMENT CYLINDER)



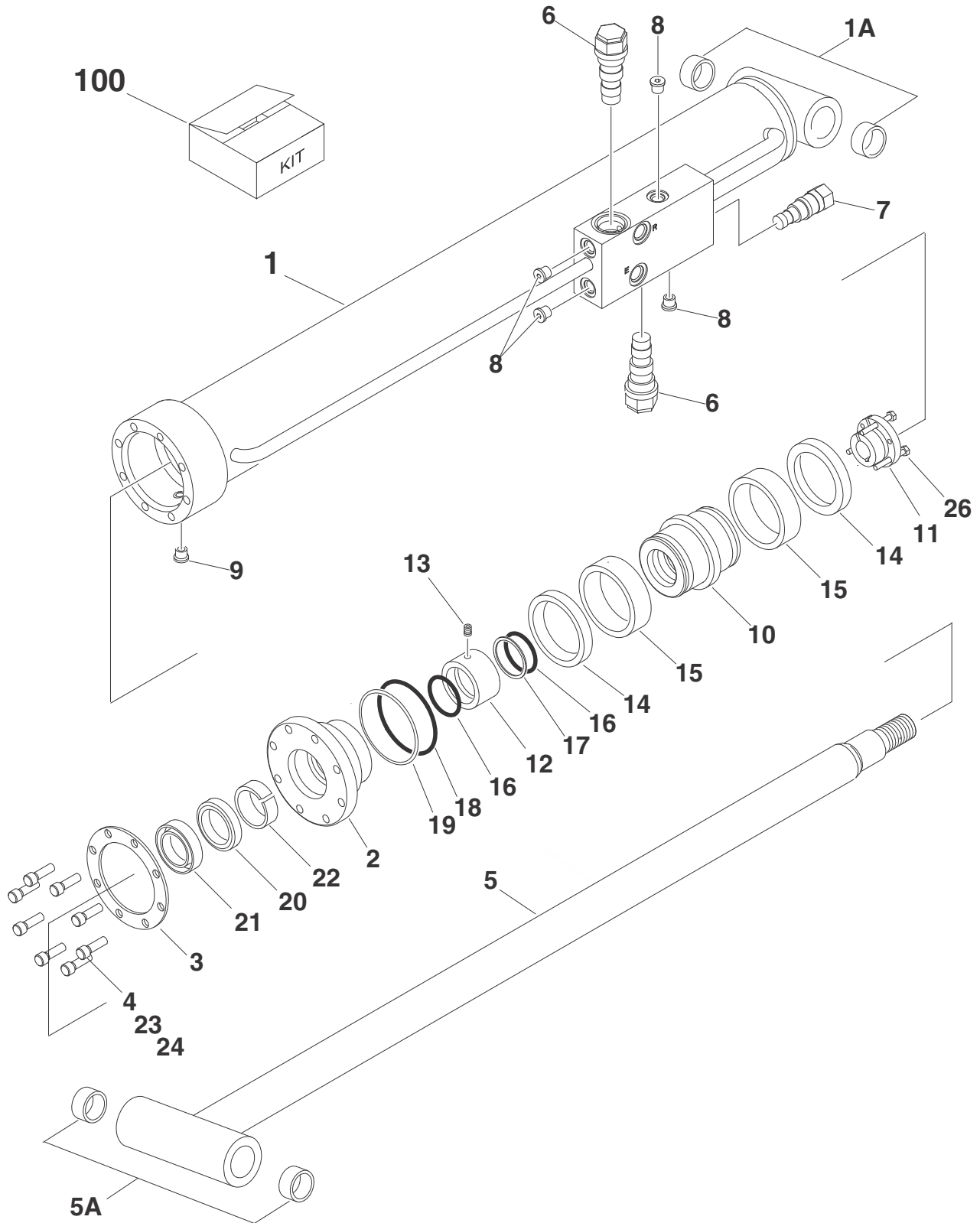
SECTION 5 CYLINDER

FIGURE 5-3. LEVEL (PLATFORM SLAVE) CYLINDER ASSEMBLY (400S - SERVICE REPLACEMENT CYLINDER)

ITEM #	PART NUMBER	QTY.	DESCRIPTION	REV.
		Ref	Note: Original Equipment Cylinder may have been replaced with Service Replacement Cylinder. Identify p/n stamped on cylinder before ordering parts.	
	1001140586	Ref Ref	PLATFORM LEVEL CYLINDER ASSEMBLY 400S (Service Replacement for p/n 1683778)	B
1	70004137	1	Barrel	
1A	0961951	2	Bushing	
2	70004138	1	Rod	
2A	0961951	2	Bushing	
3 to 5	Not Used			
6	70003848	1	Head	
7	70004136	1	Piston	
8	70002224	1	Retainer	
9 to 11	Not Used			
12	Use 70004128	2	RIng, Wear	
13	Use 70004128	1	Seal	
14	Use 70004128	1	O-RIng	
15	4640509	1	Cartridge, Counterbalance Valve	
	2900792	1	Seal Kit - 4640509 Valve	
16	Use 70004128	1	O-RIng	
17	Use 70004128	1	Ring, Backup	
18	Use 70004128	1	Seal	
19	Use 70004128	1	O-RIng	
20	Use 70004128	1	Wiper	
21	70003838	1	Ring, Retaining	
22	70003856	1	O-RIng	
23	70003839	1	Spacer	
24	Not Used			
25	See Note	2	Plug (Note: Not Available for Purchase)	
26	See Note	2	Plug (Note: Not Available for Purchase)	
27	See Note	4	Plug (Note: Not Available for Purchase)	
28	Not Used			
29	4640932	1	Cartridge, Counterbalance Valve	
	7011112	1	Seal Kit - 4640932 Valve	
30 to 49	Not Used			
50	70004128	1	Seal Kit - 1001140596 Cylinder (Includes Items 12-14 & 16-20)	

SECTION 5 CYLINDER

FIGURE 5-4. LIFT CYLINDER ASSEMBLY - JIB (460SJ)



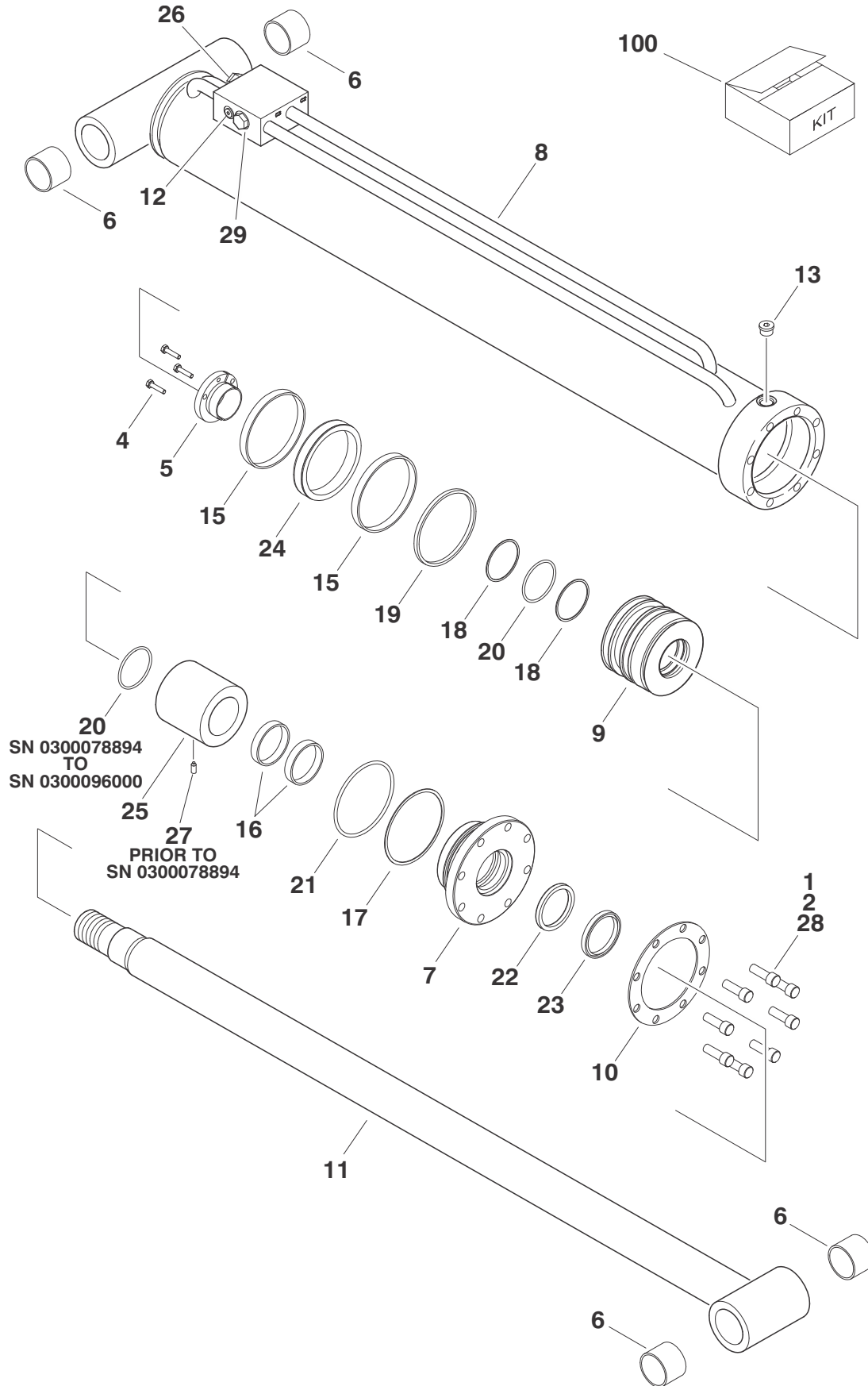
SECTION 5 CYLINDER

FIGURE 5-4. LIFT CYLINDER ASSEMBLY - JIB (460SJ)

ITEM #	PART NUMBER	QTY.	DESCRIPTION	REV.
	1683609	Ref	JIB LIFT CYLINDER ASSEMBLY	G
1	1683687	1	Barrel Weldment	
1A	0962336	2	Bushing	
2	1683053	1	Head	
3	3760368	1	Washer, Ring	
4	3931516	8	Bolt, Socket Head 5/16in-18NC x 2in	
5	1683261	1	Rod Weldment	
5A	0962336	2	Bushing	
6	4640509	2	Cartridge, Valve (Counterbalance Non-Vented)	
	2900792	2	Seal Kit - 4640509 Valve	
7	4641062	1	Plug (Prior to SN 0300069330)	
8	2220883	4	Plug, O-Ring	
9	2220885	1	Plug, O-Ring	
10	3480210	1	Piston	
11	0961893	1	Bushing, Tapered	
12		1	Spacer, Tube Options:	
	4566471		Prior to SN 0300079702 (Uses Setscrew)	
	4100100		SN 0300079702 to SN 0300096000 (Uses O-Ring)	
13	3900141	1	Setscrew 1/4in-20NC x 1/4in (Prior to SN 0300079702 Only)	
14	Use 2901303	2	Ring, Lock	
15	Use 2901303	2	Seal, Piston	
16	Use 2901303	2	O-Ring	
17	Use 2901303	2	Ring, Back-up	
18	Use 2901303	1	O-Ring	
19	Use 2901303	1	Ring, Back-up	
20	Use 2901303	1	Seal	
21	Use 2901303	1	Wiper	
22	Use 2901303	1	Ring, Wear	
23	0100011	AR	Compound, Locking	
24	0100038	AR	Primer, Locking	
25	Not Used			
26	0630534	3	Capscrew, Socket Head #10-24NC x 1in	
100	2901303	1	----- Seal Kit (Includes Items 14-22)	

SECTION 5 CYLINDER

FIGURE 5-5. LIFT CYLINDER ASSEMBLY - MAIN



SECTION 5 CYLINDER

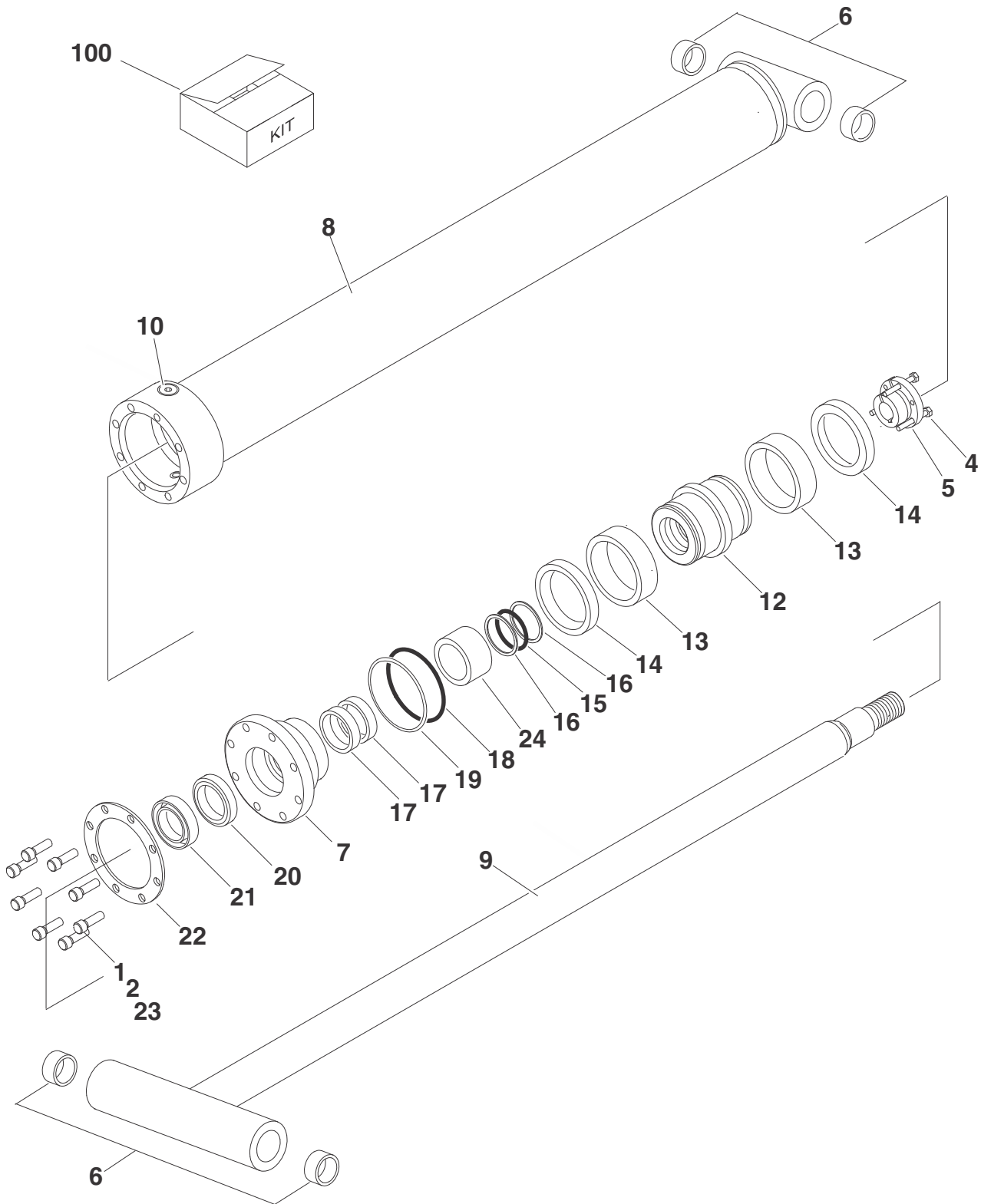
FIGURE 5-5. LIFT CYLINDER ASSEMBLY - MAIN

ITEM #	PART NUMBER	QTY.	DESCRIPTION	REV.
	1683776	Ref	LIFT CYLINDER ASSEMBLY	D
1	0100011	AR	Compound, Locking	
2	0100038	AR	Primer, Locking	
3	Not Used			
4	0630535	3	Bolt, Socket Head #10-24NC x 1-1/8in	
5	0961897	1	Bushing, Tapered	
6	0961950	4	Bushing, Garmax	
7	1683063	1	Head	
8	1683844	1	Barrel Weldment	
9	3480253	1	Piston	
10	3760371	1	Ring, Wear	
11	1683846	1	Rod Weldment	
12	2220883	1	Plug, O-Ring #4	
13	2220886	1	Plug, O-Ring #8	
14	Not Used			
15	Use 2901841	2	Ring, Wear	
16	Use 2901841	2	Ring, Wear	
17	Use 2901841	1	Ring, Back-up	
18	Use 2901841	2	Ring, Back-up	
19	Use 2901841	1	Seal	
20	Use 2901841	2	O-Ring	
21	Use 2901841	1	O-Ring	
22	Use 2901841	1	Seal, Poly	
23	Use 2901841	1	Wiper	
24	Use 2901841	1	T-Seal	
25		1	Spacer, Tube Options: Prior to SN 0300078894 (was p/n 4567949) (Note: Use p/ns 4100099 Sleeve & 3790230 O-Ring as a Replacement) SN 0300078894 to SN 0300096000	
	See Note			
	4100099			
26	4640509	1	Valve, Counterbalance	
	2900792	1	Seal Kit - 4640509	
27	3900139	1	Setscrew 1/4in-20NC x 1/2in (Prior to SN 03000078894 Only)	
28	3931824	8	Capscrew 1/2in-18NC x 1-1/2in	
29	4641144	1	Cartridge, Valve	
	7012967	1	Seal Kit - 4641144 Valve	

100	2901841	1	Seal Kit (Includes Items 15-24)	

SECTION 5 CYLINDER

FIGURE 5-6. MASTER CYLINDER ASSEMBLY (ORIGINAL EQUIPMENT)



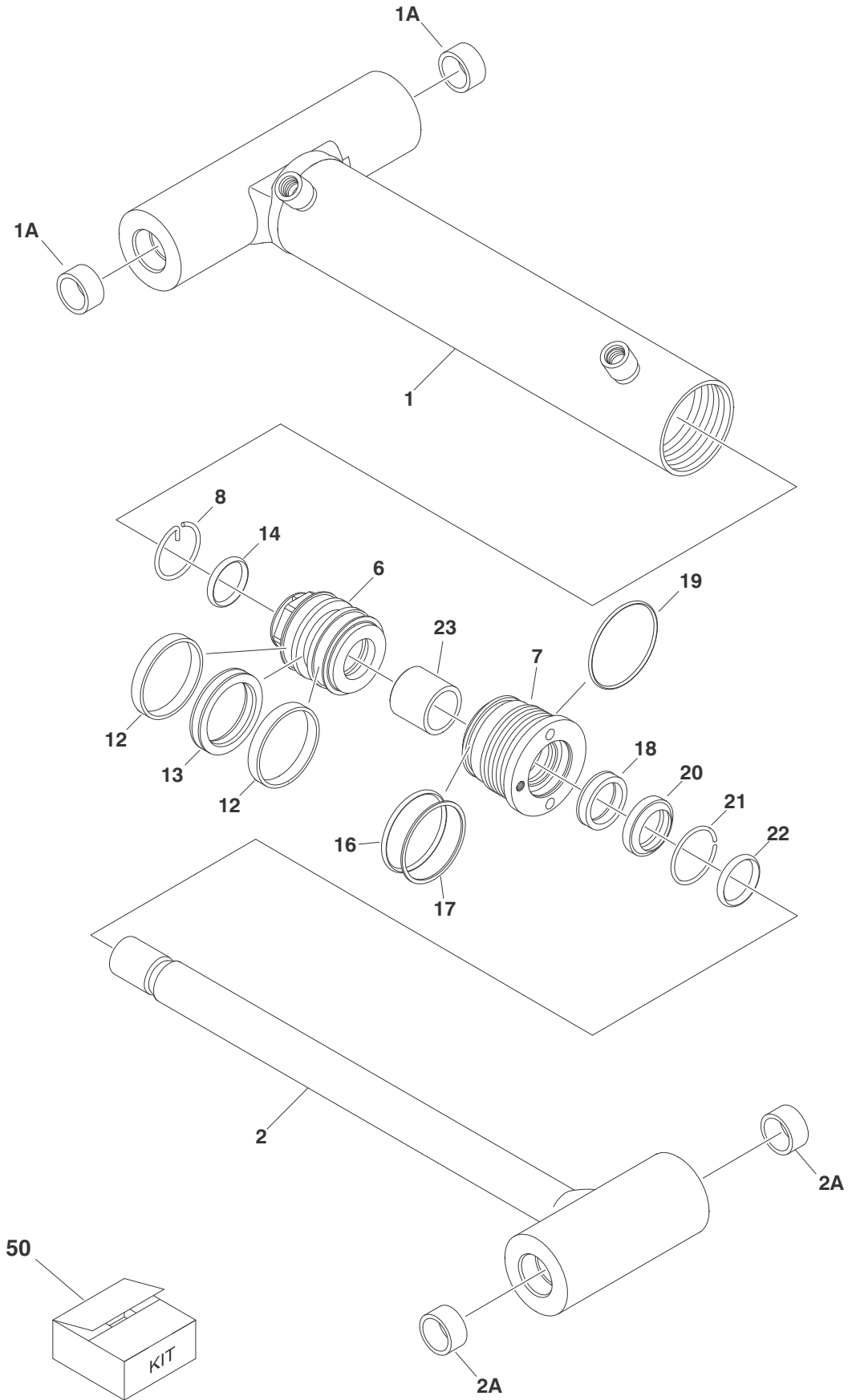
SECTION 5 CYLINDER

FIGURE 5-6. MASTER CYLINDER ASSEMBLY (ORIGINAL EQUIPMENT)

ITEM #	PART NUMBER	QTY.	DESCRIPTION	REV.
		Ref	Note: Original Equipment Cylinder may have been replaced with Service Replacement Cylinder. Identify p/n stamped on cylinder before ordering parts.	
		Ref	MASTER CYLINDER ASSEMBLY	
	1683951	Ref	Prior to SN 0300074573	A
	1684284	Ref	SN 0300074573 to SN 0300096000	B
1	0100011	AR	Compound, Locking	
2	0100038	AR	Primer, Locking	
3	Not Used			
4	0630535	3	Bolt, Socket Head #10-24NC x 1-1/8in	
5	0961894	1	Bushing, Tapered	
6	0961951	4	Bushing, Garmax	
7	1683055	1	Head	
8		1	Barrel Weldment	
	1683949		Prior to SN 0300074573	
	1684283		SN 0300074573 to SN 0300096000	
9	1683950	1	Rod Weldment	
10	2220885	1	Plug, O-Ring #6	
11	Not Used			
12	3480188	1	Piston	
13	Use 2901301	2	Ring, Hydrolock	
14	Use 2901301	2	Ring, Guidelock	
15	Use 2901301	1	O-Ring	
16	Use 2901301	2	Ring, Back-up	
17	Use 2901301	2	Ring, Wear	
18	Use 2901301	1	O-Ring	
19	Use 2901301	1	Ring, Back-up	
20	Use 2901301	1	Seal, Poly	
21	Use 2901301	1	Wiper	
22	3760369	1	Ring, Washer	
23	3931620	8	Capscrew 3/8in-16NC x 1-1/4in	
24	4566468	1	Spacer, Tube	
100	2901301	1	----- Seal Kit (Includes Items 13-21)	

SECTION 5 CYLINDER

FIGURE 5-7. MASTER CYLINDER ASSEMBLY (SERVICE REPLACEMENT)



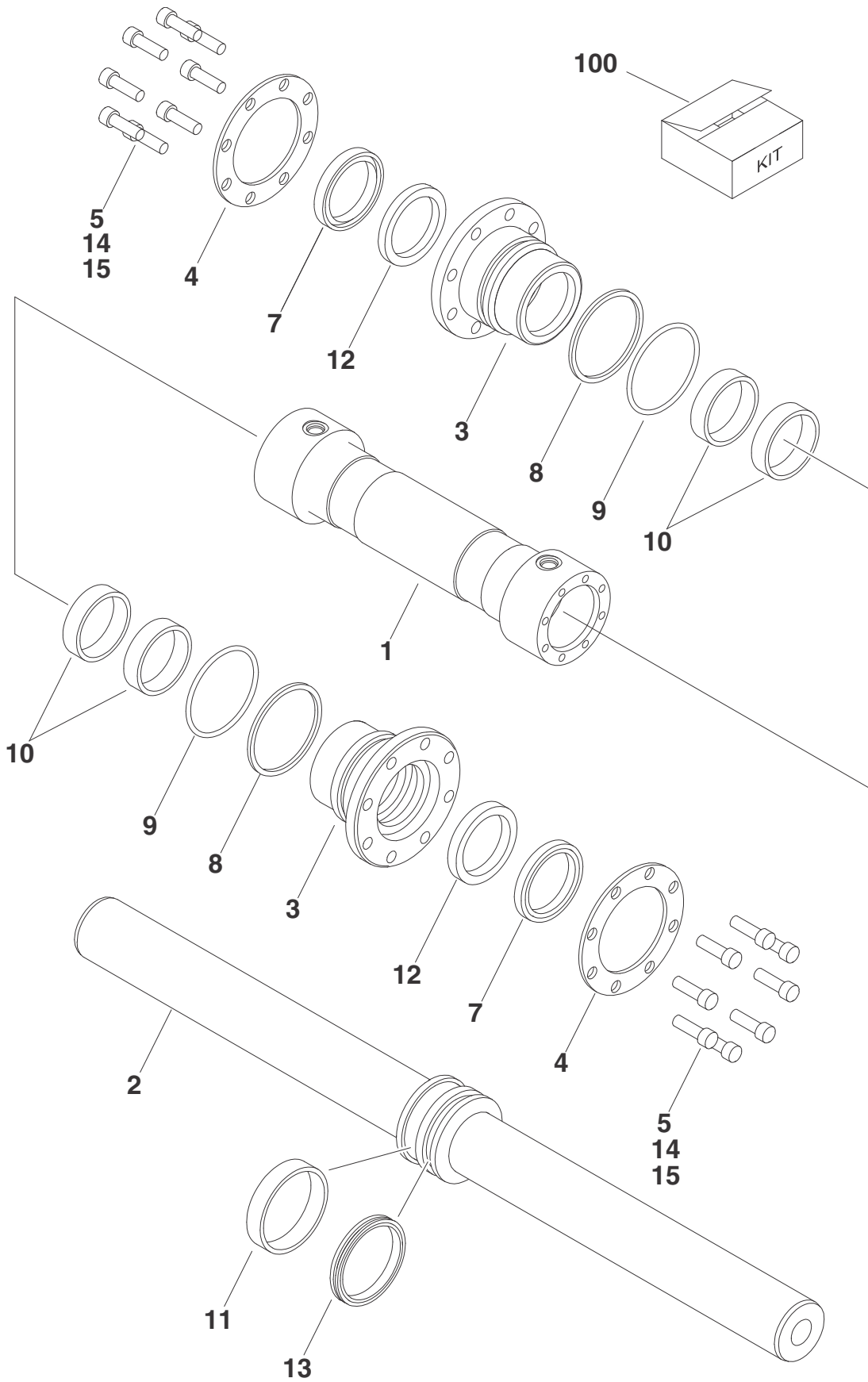
SECTION 5 CYLINDER

FIGURE 5-7. MASTER CYLINDER ASSEMBLY (SERVICE REPLACEMENT)

ITEM #	PART NUMBER	QTY.	DESCRIPTION	REV.
		Ref	Note: Original Equipment Cylinder may have been replaced with Service Replacement Cylinder. Identify p/n stamped on cylinder before ordering parts.	
	1001140587	Ref	MASTER CYLINDER ASSEMBLY	A
1	70004139	1	Barrel	
1A	0961951	2	Bushing	
2	70004140	1	Rod	
2A	0961951	2	Bushing	
3 to 5	Not Used			
6	70003848	1	Piston	
7	70004136	1	Head	
8	70002224	1	Retainer	
9 to 11	Not Used			
12	Use 70004129	2	Ring, Wear	
13	Use 70004129	1	Seal	
14	7026113	1	O-Ring	
15	Not Used			
16	Use 70004129	1	O-Ring	
17	Use 70004129	1	Ring, Back-up	
18	Use 70004129	1	Seal	
19	Use 70004129	1	O-Ring	
20	Use 70004129	1	Wiper	
21	70003838	1	Ring, Retaining	
22	70003856	1	O-Ring	
23	70003839	1	Spacer	
24 to 49	Not Used			
50	70004129	1	Seal Kit (Includes Items 9-16)	

SECTION 5 CYLINDER

FIGURE 5-8. STEER CYLINDER ASSEMBLY (ORIGINAL EQUIPMENT PRIOR TO SN 0300087392)



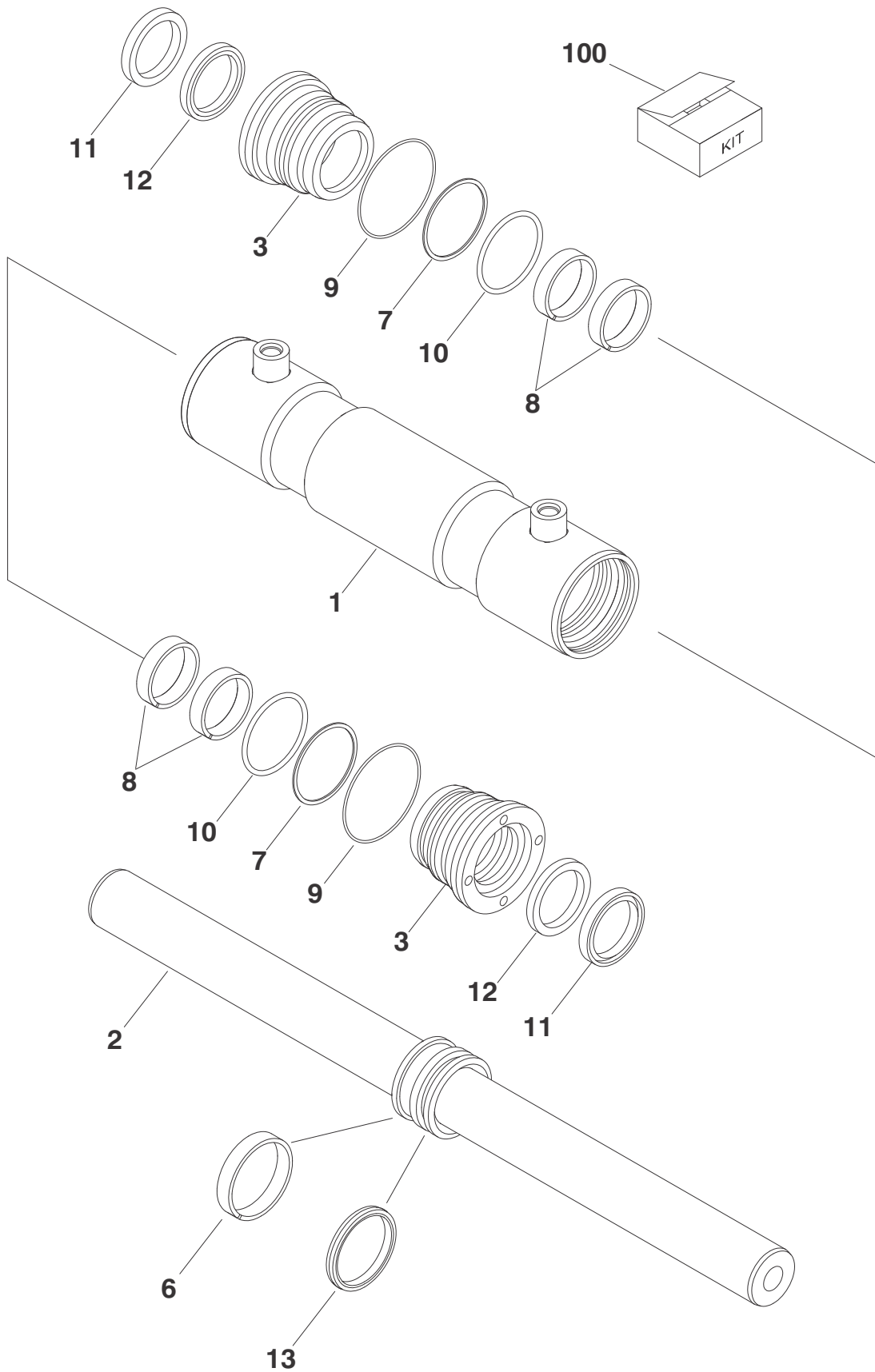
SECTION 5 CYLINDER

FIGURE 5-8. STEER CYLINDER ASSEMBLY (ORIGINAL EQUIPMENT PRIOR TO SN 0300087392)

ITEM #	PART NUMBER	QTY.	DESCRIPTION	REV.
		Ref	Note: Original Equipment Cylinder may have been replaced with Service Replacement Cylinder. Identify p/n stamped on cylinder before ordering parts.	
	1683614	Ref	STEER CYLINDER ASSEMBLY	C
1	1683615	1	Barrel Weldment	
2	1683658	1	Rod Weldment	
3	1683076	2	Cap	
4	3760367	2	Washer, Ring	
5	3931516	16	Bolt, Socket Head 5/16in-18NC x 2in	
6	Not Used			
7	Use 2901547	1	Wiper	
8	Use 2901547	2	Ring, Back-up	
9	Use 2901547	2	O-Ring	
10	Use 2901547	4	Ring, Wear	
11	Use 2901547	1	Ring, Wear	
12	Use 2901547	2	Seal	
13	Use 2901547	1	T-Seal	
14	0100011	AR	Compound, Locking	
15	0100038	AR	Primer, Locking	
100	2901547	1	Seal Kit (Includes Items 7-13)	

SECTION 5 CYLINDER

FIGURE 5-9. STEER CYLINDER ASSEMBLY (SERVICE REPLACEMENT FOR PRIOR TO SN 0300087392 & ORIGINAL EQUIPMENT FOR SN 0300087392 TO SN 0300096000)



SECTION 5 CYLINDER

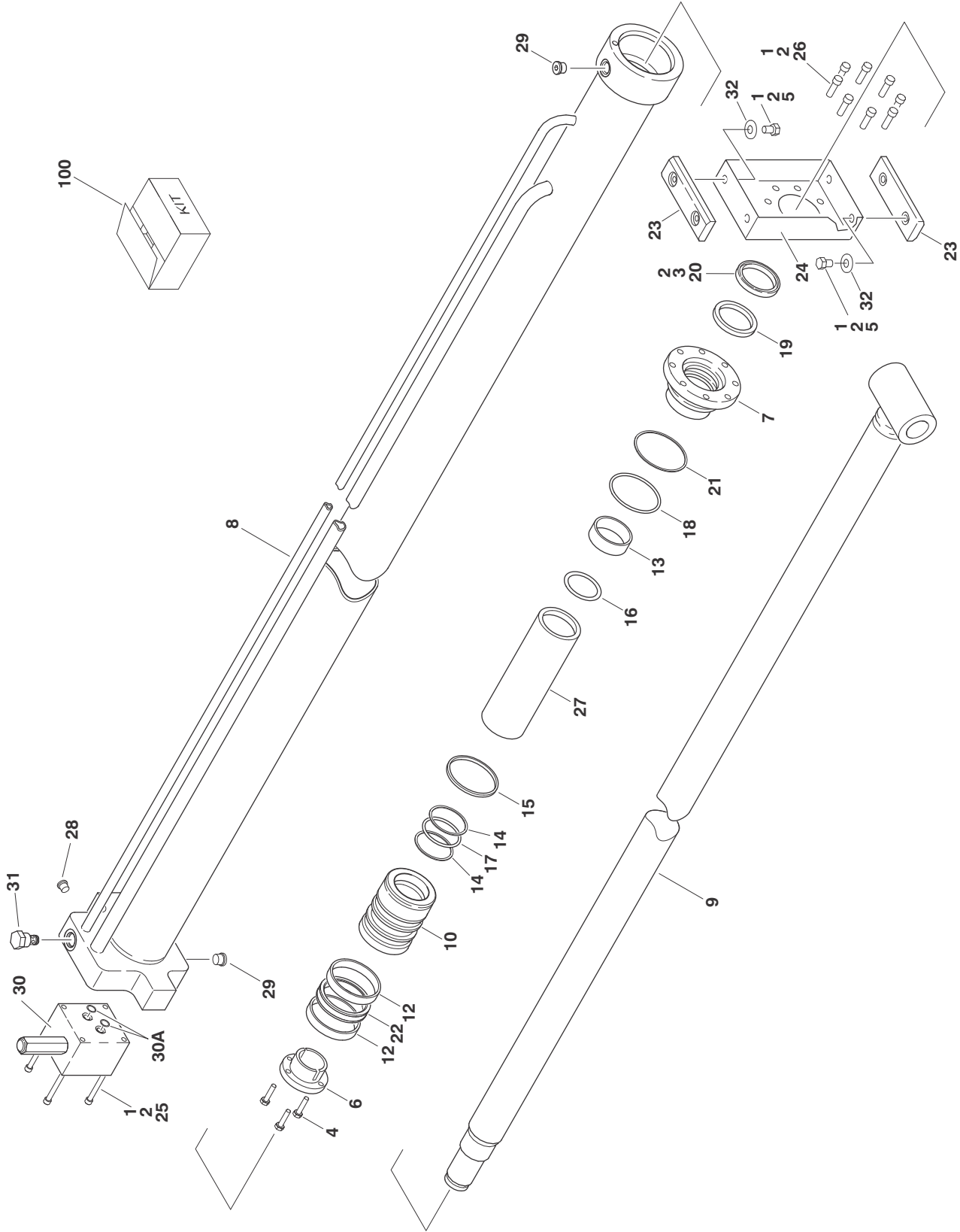
FIGURE 5-9. STEER CYLINDER ASSEMBLY (SERVICE REPLACEMENT FOR PRIOR TO SN 0300087392 & ORIGINAL EQUIPMENT FOR SN 0300087392 TO SN 0300096000)

ITEM #	PART NUMBER	QTY.	DESCRIPTION	REV.
		Ref	Note: Original Equipment Cylinder may have been replaced with Service Replacement Cylinder. Identify p/n stamped on cylinder before ordering parts.	
	1684412	Ref	STEER CYLINDER ASSEMBLY	A
1	0370024	1	Barrel Weldment	
2	1683658	1	Rod Weldment	
3	2570008	2	Head, Cylinder	
4	3020043	1	Lube, Anti-Seize (Not Shown - Apply Only to Threads on Item 3)	
5	Not Used			
6	Use 2902409	1	Ring, Wear	
7	Use 2902409	2	Ring, Back-up	
8	Use 2902409	4	Ring, Wear	
9	Use 2902409	2	O-Ring	
10	Use 2902409	2	O-Ring	
11	Use 2902409	2	Wiper	
12	Use 2902409	2	Seal	
13	Use 2902409	1	T-Seal	

100	2902409	1	Seal Kit (Includes Items 6-13)	

SECTION 5 CYLINDER

FIGURE 5-10. TELESCOPE CYLINDER ASSEMBLY



SECTION 5 CYLINDER

FIGURE 5-10. TELESCOPE CYLINDER ASSEMBLY

ITEM #	PART NUMBER	QTY.	DESCRIPTION	REV.
		Ref	Note: Original Equipment Cylinder may have been replaced with Service Replacement Cylinder. Identify p/n stamped on cylinder before ordering parts.	
		Ref	TELESCOPE CYLINDER ASSEMBLIES	
	1683897	Ref	Prior to SN 0300066372 (Original Equipment)	B
	1684194	Ref	Prior to SN 0300066372 (Service Replacement)	C
	1684194	Ref	SN 0300066372 to SN 0300096000	C
1	0100011	AR	Compound, Locking	
2	0100038	AR	Primer, Locking	
3	0100063	AR	Adhesive	
4	0630535	3	Bolt, Socket Head 1/4in-20NC x 1-1/8in	
5	0641604	4	Bolt 3/8in-16NC x 1/2in	
6	0961896	1	Bushing, Tapered	
7	1683054	1	Head	
8		1	Barrel Weldment Options:	
	1683893		Cylinder p/n 1683897	
	1684193		Cylinder p/n 1684194	
9		1	Rod Weldment Options:	
	1683895		Cylinder p/n 1683897	
	1684312		Cylinder p/n 1684194	
10		1	Piston Options:	
	3480255		Cylinder p/n 1683897	
	3480274		Cylinder p/n 1684194	
11	Not Used			
12	Use 2901861	2	Ring, Wear	
13	Use 2901861	1	Ring, Wear	
14	Use 2901861	2	Ring, Back-up	
15	3760436	1	Seal (Cylinder p/n 1683897 Only)	
16	Use 2901861	1	O-Ring	
17	Use 2901861	1	O-Ring	
18	Use 2901861	1	O-Ring	
19	Use 2901861	1	Seal, Rod	
20	Use 2901861	1	Wiper	
21	Use 2901861	1	Ring, Back-up	
22	Use 2901861	1	Seal	
23	3340608	2	Pad, Wear	
24	3571795	1	Plate, Wear Pad Mounting	
25	3931448	4	Capscrew 1/4in-20NC x 3in	
26	3931516	8	Capscrew 5/16in-18NC x 1in	
27	4566425	1	Spacer, Tube	
28	2220883	1	Plug, O-Ring #4 (Cylinder p/n 1683897 Only)	
29	2220885	2	Plug, O-Ring #6	
30	4641033	1	Valve, Counterbalance	
30A	7024508	2	O-Ring	

SECTION 5 CYLINDER

FIGURE 5-10. TELESCOPE CYLINDER ASSEMBLY (CONTINUED)

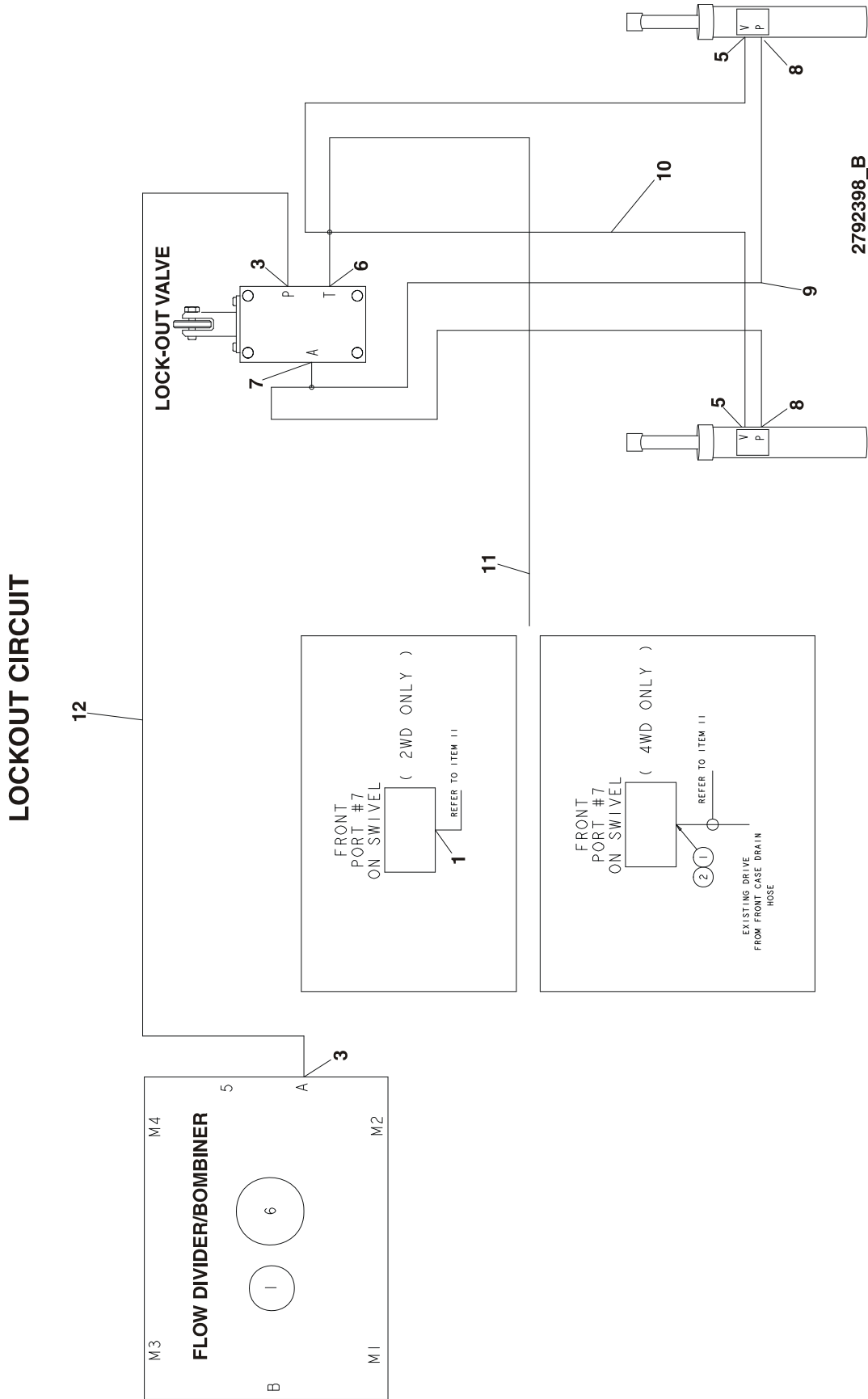
ITEM #	PART NUMBER	QTY.	DESCRIPTION	REV.
31	4641114	AR 1	Options: Cartridge, Valve - Restrictor/Check (Cylinder p/n 1683897 Only)	
	7012967	1	Seal Kit - 4641114 Valve	
	2220886	1	Plug, O-Ring #8 (Cylinder p/n 1683897 Only)	
32	4751600	4	Flatwasher 3/8in Regular	

100	2901861	1	Seal Kit (Includes Items 12-14 & 16-22)	

SECTION 6 HYDRAULIC

SECTION 6 HYDRAULIC

FIGURE 6-1. AXLE LOCKOUT HYDRAULIC DIAGRAM



SECTION 6 HYDRAULIC

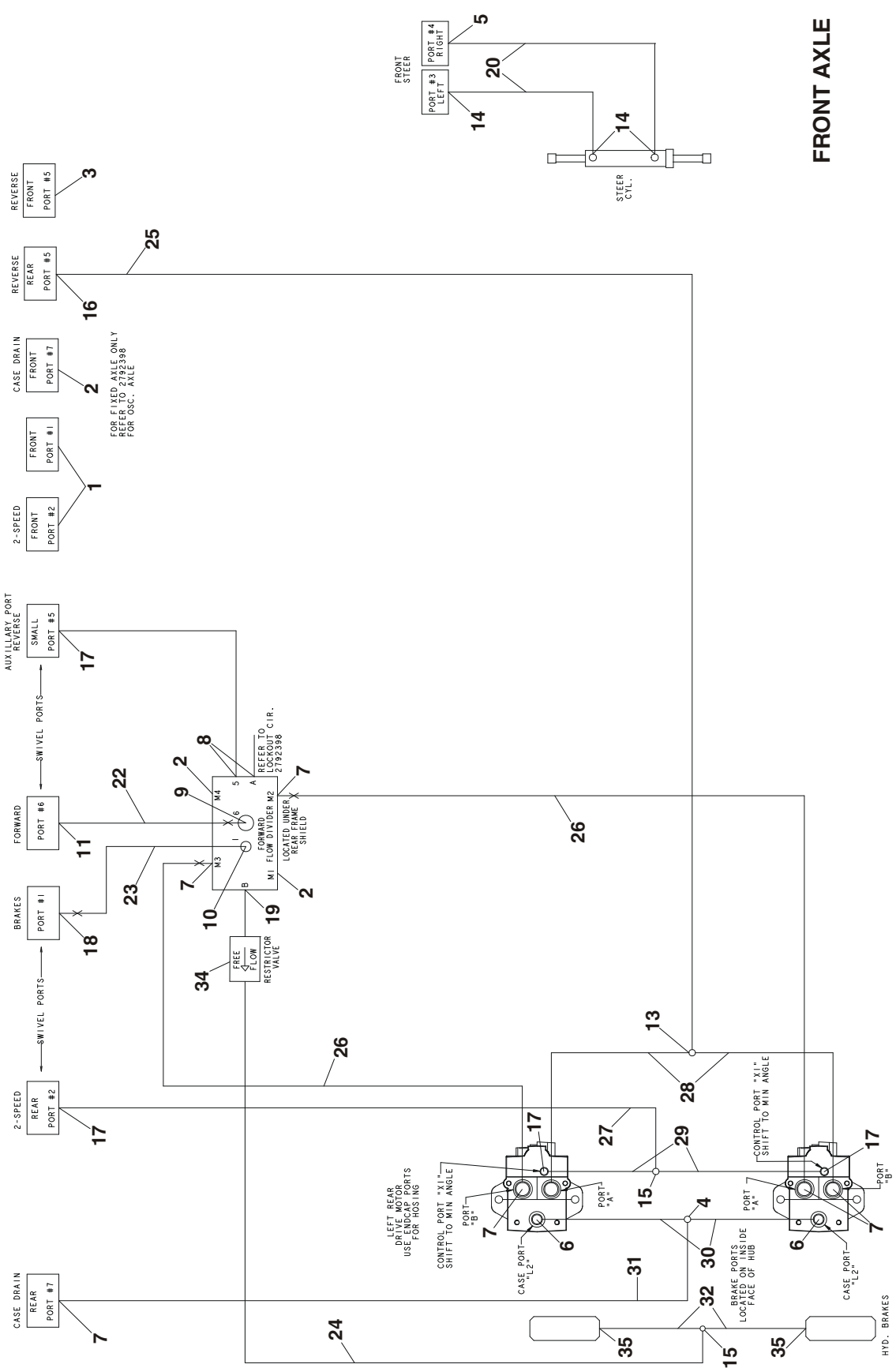
FIGURE 6-1. AXLE LOCKOUT HYDRAULIC DIAGRAM

ITEM #	PART NUMBER	QTY.	DESCRIPTION	REV.
	2792398	Ref	AXLE LOCKOUT HYDRAULIC DIAGRAM	2/B
1	2220375	1	Fitting, Straight	
2	2220385	1	Fitting, Tee	
3	2220415	2	Fitting, Straight	
4	Not Used			
5	2220501	2	Fitting, Elbow	
6	2221043	1	Fitting, Tee	
7	2220711	1	Fitting, Tee	
8	2221040	2	Fitting, Elbow	
9	2753035	2	Hose	
10	2752632	2	Hose	
11	2753342	1	Hose	
12	2753339	1	Hose	

SECTION 6 HYDRAULIC

FIGURE 6-2. DRIVE HYDRAULIC DIAGRAM - 2WD

2-WHEEL DRIVE



FRONT AXLE

1283084 Q

REAR AXLE

SECTION 6 HYDRAULIC

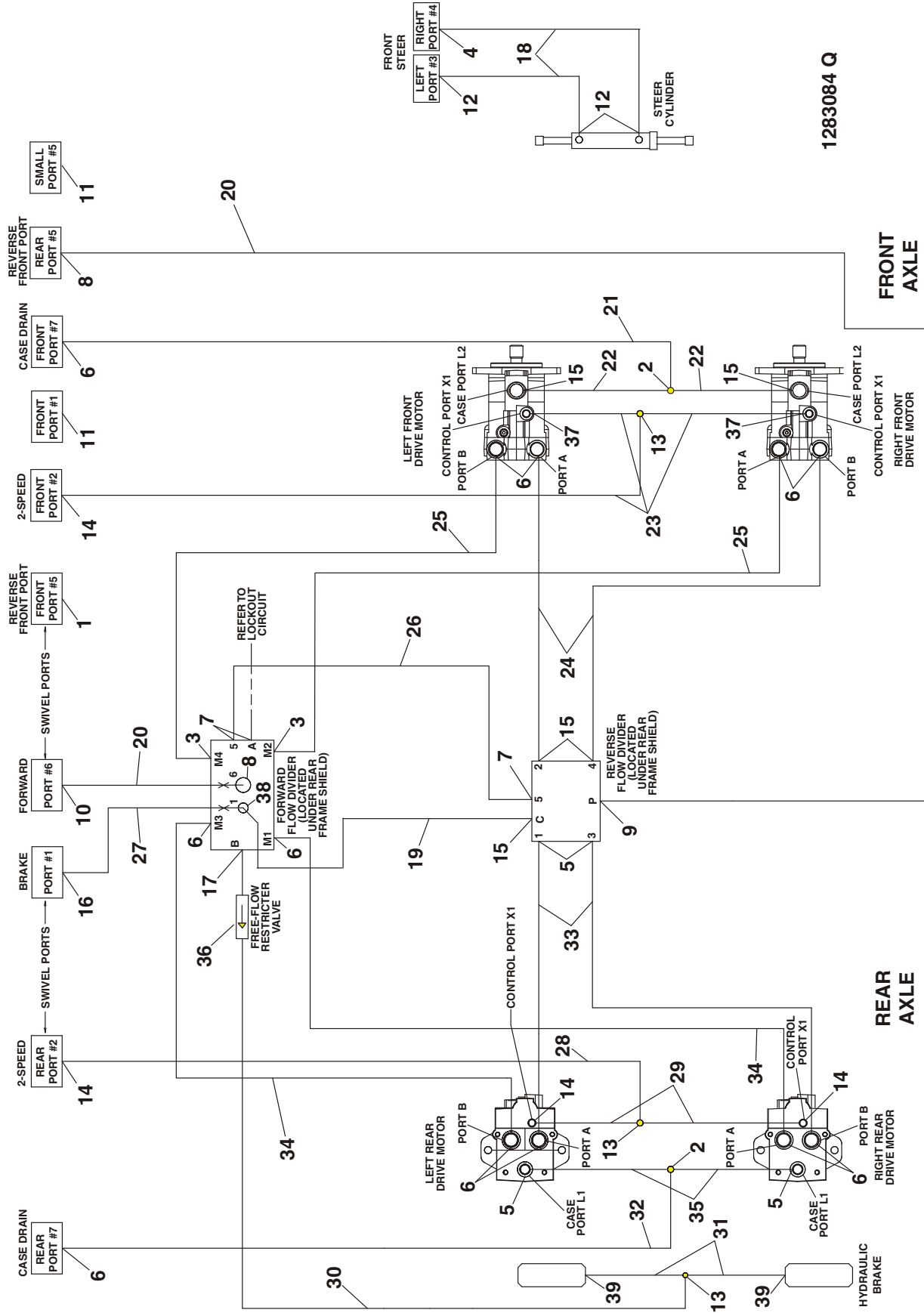
FIGURE 6-2. DRIVE HYDRAULIC DIAGRAM - 2WD

ITEM #	PART NUMBER	QTY.	DESCRIPTION	REV.
	2792385/1283084	Ref	DRIVE HYDRAULIC DIAGRAM - 2WD	9/Q
1	2220237	2	Fitting, Plug	
2	2220240	3	Fitting, Plug	
3	2220242	1	Fitting, Plug	
4	2220362	1	Fitting, Tee	
5	2220371	1	Fitting, Straight	
6	2220373	2	Fitting, Straight (Fittings moved to Pump Assembly)	
7	2220375	AR	Fitting, Straight	
		7	Pump Assy without Fittings	
		3	Pump Assy with Fittings	
8	2220415	2	Fitting, Straight	
9	2220435	1	Fitting, Straight	
10	2220596	2	Fitting, Elbow	
11	2220465	1	Fitting, Elbow	
12	Not Used			
13	2220481	1	Fitting, Tee	
14	2220501	3	Fitting, Elbow	
15	2220504	2	Fitting, Tee	
16	2220568	1	Fitting, Elbow	
17	2220582	AR	Fitting, Straight	
		4	Pump Assy without Fittings	
		2	Pump Assy with Fittings	
18	2220600	1	Fitting, Straight	
19	2221030	1	Fitting, Straight (Prior to SN 0300074316 Only)	
20	2752466	2	Hose	
21	Not Used			
22	2753346	1	Hose	
23	2752495	1	Hose	
24	2752442	1	Hose	
25	2753347	1	Hose	
26	2753343	2	Hose	
27	2752977	1	Hose	
28	2753344	2	Hose	
29		2	Hose Options:	
	2753341		Prior to SN 0300088029	
	2752908		SN 0300088029 to SN 0300096000	
30		2	Hose Options:	
	2752492		Prior to SN 0300088029	
	2752496		SN 0300088029 to SN 0300096000	
31	2752506	1	Hose	
32		2	Hose Options:	
	2753340		Prior to SN 0300088029	
	2754229		SN 0300088029 to SN 0300096000	
33	Not Used			
34		1	Valve, Restrictor Options:	
	4641076		Valve, Restrictor (.021) (Prior to SN 0300074316)	
	4641282		Valve, Restrictor (.020) (SN 0300074316 to SN 0300096000)	
35	2220466	2	Fitting, Elbow	

SECTION 6 HYDRAULIC

FIGURE 6-3. DRIVE HYDRAULIC DIAGRAM - 4WD

4-WHEEL DRIVE



1283084 Q

SECTION 6 HYDRAULIC

FIGURE 6-3. DRIVE HYDRAULIC DIAGRAM - 4WD

ITEM #	PART NUMBER	QTY.	DESCRIPTION	REV.
	2792386/1283084	Ref	DRIVE HYDRAULIC DIAGRAM - 4WD	7/Q
1	2220242	1	Fitting, Plug	
2	2220362	2	Fitting, Tee	
3	2220366	2	Fitting, Elbow	
4	2220371	1	Fitting, Straight	
5	2220373	AR	Fitting, Straight Options:	
		4	Pump Assy without Fittings	
		2	Pump Assy with Fittings	
6	2220375	AR	Fitting, Straight Options:	
		12	Pump Assy without Fittings	
		4	Pump Assy with Fittings	
7	2220415	3	Fitting, Straight	
8	2220435	2	Fitting, Straight	
9	2220578	1	Fitting, Elbow	
10	2220465	1	Fitting, Elbow	
11	2220237	2	Plug	
12	2220501	3	Fitting, Elbow	
13	2220504	3	Fitting, Tee	
14	2220582	AR	Fitting, Straight Options:	
		4	Pump Assy without Fittings	
		2	Pump Assy with Fittings	
15	2220596	AR	Fitting, Elbow Options:	
		5	Pump Assy without Fittings	
		3	Pump Assy with Fittings	
16	2220600	1	Fitting, Straight	
17	2221030	1	Fitting, Straight (Prior to SN 0300074316 Only)	
18	2752466	2	Hose	
19	2752502	2	Hose	
20	2753346	2	Hose	
21	2752944	1	Hose	
22	2753416	2	Hose	
23	2752594	3	Hose	
24	2753417	2	Hose	
25	2753345	2	Hose	
26	2753035	1	Hose	
27	2752495	1	Hose	
28	2752977	1	Hose	
29		2	Hose Options:	
	2753341		Prior to SN 0300088029	
	2752908		SN 0300088029 to SN 0300096000	
30	2752443	1	Hose	
31		2	Hose Options:	
	2753340		Prior to SN 0300088029	
	2754229		SN 0300088029 to SN 0300096000	
32	2752506	1	Hose	
33	2753162	2	Hose	
34	2753343	2	Hose	

SECTION 6 HYDRAULIC

FIGURE 6-3. DRIVE HYDRAULIC DIAGRAM - 4WD (CONTINUED)

ITEM #	PART NUMBER	QTY.	DESCRIPTION	REV.
35	2752492 2752496	2	Hose Options: Prior to SN 0300088029 SN 0300088029 to SN 0300096000	
36	4641076 4641282	1	Valve, Restrictor Options: Valve, Restrictor (.021) (Prior to SN 0300074316) Valve, Restrictor (.020) (SN 0300074316 to SN 0300096000)	
37	2220472	2	Fitting, Elbow (Fitting moved to Pump Assembly)	
38	2220602	1	Fitting, Tee	
39	2220466	2	Fitting, Elbow	

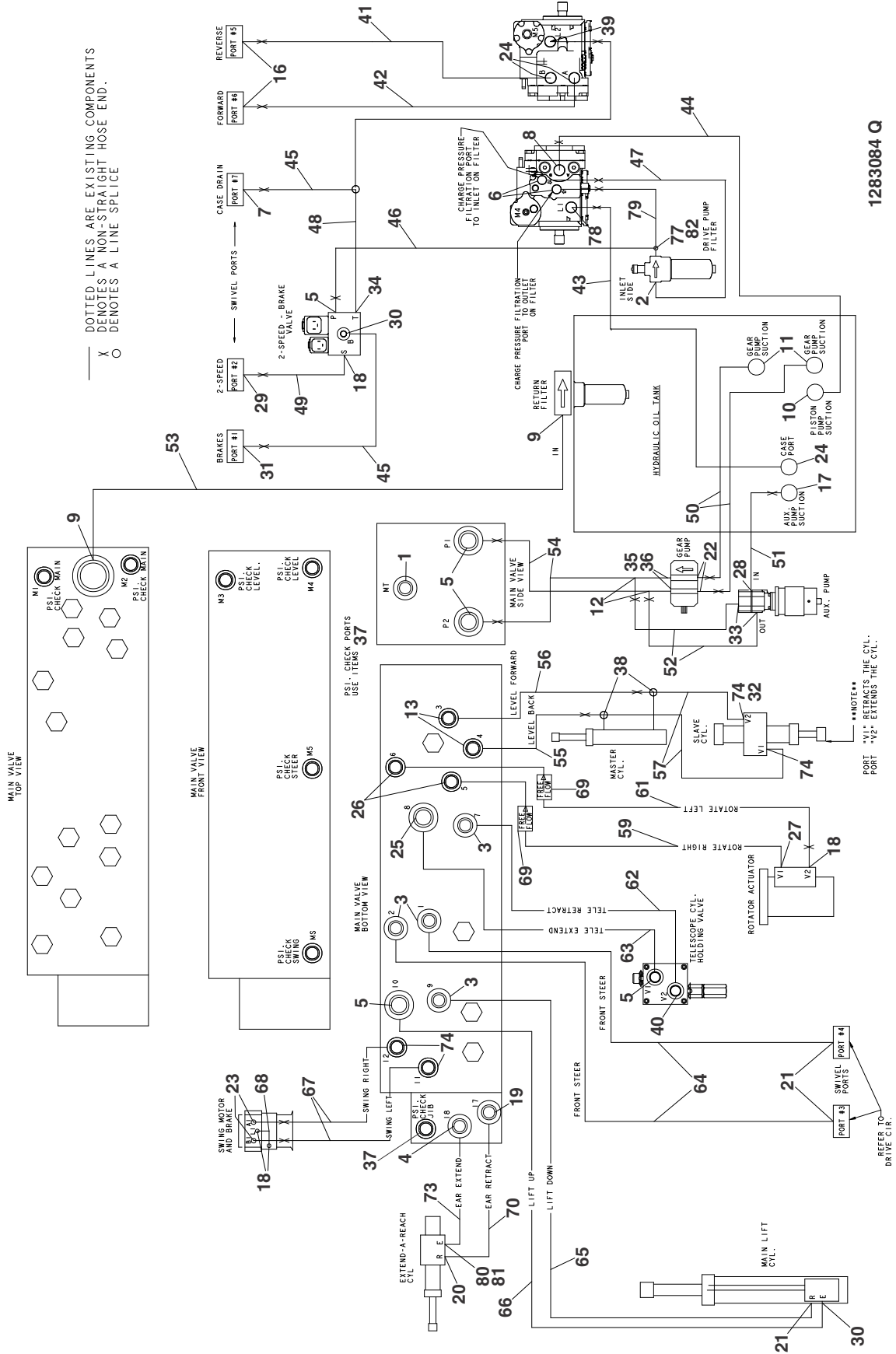
SECTION 6 HYDRAULIC

FIGURE 6-3. DRIVE HYDRAULIC DIAGRAM - 4WD (CONTINUED)

ITEM #	PART NUMBER	QTY.	DESCRIPTION	REV.

SECTION 6 HYDRAULIC

FIGURE 6-4. STANDARD HYDRAULIC DIAGRAM



1283084 Q

SECTION 6 HYDRAULIC

FIGURE 6-4. STANDARD HYDRAULIC DIAGRAM

ITEM #	PART NUMBER	QTY.	DESCRIPTION	REV.
		Ref	STANDARD HYDRAULIC DIAGRAM	
	2792383/1283084	Ref	400S (Prior to SN 0300087630)	12/Q
	2792704/1283084	Ref	400S (SN 0300087630 to SN 0300096000)	1/Q
	2792384/1283084	Ref	460SJ (Prior to SN 0300087630)	12/Q
	2792705/1283084	Ref	460SJ (SN 0300087630 to SN 0300096000)	1/Q
1	2220237	1	Fitting, Plug	
2		1	Fitting, Elbow Options: Prior to SN 0300086916 SN 0300086916 to SN 0300096000	
	2220906			
	2221042			
3	2220371	4	Fitting, Straight	
4	2220372	1	Fitting, Straight (460SJ Only)	
5	2220373	7	Fitting, Straight	
6	2220947	2	Fitting, Straight (Fitting moved to Pump Assembly)	
7	2220375	1	Fitting, Straight	
8	2220376	1	Fitting, Straight (Fitting moved to Pump Assembly)	
9	2220377	2	Fitting, Straight	
10	2220379	1	Fitting, Straight	
11	2220380	2	Fitting, Straight	
12	2220385	2	Fitting, Tee (Fitting moved to Pump Assembly)	
13	2220415	AR	Fitting, Straight	
14	2220428	1	Fitting, Quick Disconnect (Prior to SN 0300074935)	
15	2220429	1	Fitting, Dust Cap (Prior to SN 0300074935)	
16	2220435	2	Fitting, Straight	
17	2220451	1	Fitting, Straight	
18	2220466	4	Fitting, Elbow	
19	2220468	1	Fitting, Straight (460SJ Only)	
20	2220472	1	Fitting, Elbow (460SJ Only)	
21	2220473	3	Fitting, Elbow	
22	2220479	2	Fitting, Straight (Fitting moved to Pump Assembly)	
23	2220497	2	Fitting, Straight	
24	2220498	AR	Fitting, Elbow	
		3	Pump Assy without Fittings	
		1	Pump Assy with Fittings	
25	2220500	1	Fitting, Elbow	
26	2221030	2	Fitting, Straight (Prior to SN 0300074935)	
27	2220502	AR	Fitting, Elbow	
28	2220567	1	Fitting, Elbow	
29	2220582	1	Fitting, Straight	
30	2220596	2	Fitting, Elbow	
31	2220600	1	Fitting, Straight	
32	4567139	1	Tube	
33	2221045	2	Fitting, Elbow	
34	2220775	1	Fitting, Elbow	
35	2220810	2	Fitting, Reducer (Fitting moved to Pump Assembly)	
36	4640744	2	Fitting, Check Valve (Fitting moved to Pump Assembly)	
37	2221086	6	Fitting, Pressure Check	
38	2220899	2	Fitting, Tee	
39	2221041	1	Fitting, Tee (Fitting moved to Pump Assembly)	

SECTION 6 HYDRAULIC

FIGURE 6-4. STANDARD HYDRAULIC DIAGRAM (CONTINUED)

ITEM #	PART NUMBER	QTY.	DESCRIPTION	REV.
40	2221044	1	Fitting, Elbow	
41	2753352	1	Hose	
42	2753353	1	Hose	
43	2753354	1	Hose	
44	2753357	1	Hose	
45	2753351	2	Hose	
46	2752942	1	Hose	
47	2752763	1	Hose	
48	2753350	1	Hose	
49	2752430	1	Hose	
50	2753358	2	Hose	
51	2753355	1	Hose	
52	2753349	2	Hose	
53	2753356	1	Hose	
54	2752519	2	Hose	
55	2753360	1	Hose	
56	2753359	1	Hose	
57	2753514	2	Hose	
58	Not Used			
59		1	Hose Options:	
	2753517		400S	
	2753512		460SJ	
60	Not Used			
61		1	Hose Options:	
	2753516		400S	
	2753513		460SJ	
62	2753368	1	Hose	
63	2753372	1	Hose	
64	2753348	2	Hose	
65	2753369	1	Hose	
66	2753373	1	Hose	
67	2752471	2	Hose	
68	2752443	1	Hose	
69		2	Valve, Restrictor Options:	
	4641076		Valve, Restrictor (.021) (Prior to SN 0300074935)	
	4641282		Valve, Restrictor (.020) (SN 0300074935 to SN 0300096000)	
70	2753511	1	Hose (460SJ Only)	
71 to 72	Not Used			
73	2753515	1	Hose (460SJ Only)	
74	2220603	4	Fitting, Straight	
75	2752573	1	Hose (Prior to SN 0300074935)	
76	2220414	1	Fitting, Straight (Prior to SN 0300074935)	
77	2221063	1	Fitting, Tee	
78	2220578	1	Fitting, Straight (Fitting moved to Pump Assembly)	
79	2753502	1	Hose	
80	2180724	1	Fitting, Modified Elbow (460SJ Only)	
81	2180422	1	Fitting, Plug (460SJ Only)	
82	2221216	1	Fitting, Straight (SN 0300087630 to SN 0300096000)	

SECTION 6 HYDRAULIC

FIGURE 6-4. STANDARD HYDRAULIC DIAGRAM (CONTINUED)

ITEM #	PART NUMBER	QTY.	DESCRIPTION	REV.

SECTION 6 HYDRAULIC

FIGURE 6-5. HYDRAULIC DIAGRAM LIST

ITEM #	PART NUMBER	QTY.	DESCRIPTION	REV.
		Ref	Note: Diagrams with asterisk (*) are shown in the preceding pages. Information on diagrams not shown is available from JLG Service/Parts Departments.	
	2792398*	Ref	Axle Lockout Hydraulic Diagram	
		Ref	Drive Hydraulic Diagrams:	
	2792385/1283084*	Ref	2WD Machines	
	2792386/1283084*	Ref	4WD Machines	
		Ref	Standard Hydraulic Diagrams:	
	2792383/1283084*	Ref	400S (Prior to SN 0300087630)	
	2792704/1283084*	Ref	400S (SN 0300087630 to SN 0300096000)	
	2792384/1283084*	Ref	460SJ (Prior to SN 0300087630)	
	2792705/1283084*	Ref	460SJ (SN 0300087630 to SN 0300096000)	
	2792387	Ref	Standard Hydraulic Schematic	
	2792432	Ref	Sky Welder Hydraulic Diagram (Optional)	
	2792598/1283084	Ref	Tow Hydraulic Diagram	

SECTION 7 ELECTRICAL

SECTION 7 ELECTRICAL

FIGURE 7-1. ELECTRICAL DIAGRAM LIST

ITEM #	PART NUMBER	QTY.	DESCRIPTION	REV.
		Ref	ALARM ELECTRICAL DIAGRAMS	
	4933025/1282937	Ref	Motion Alarm	
	4933026/1282937	Ref	Travel Alarm	
		Ref	COLD WEATHER KITS WIRING DIAGRAM	
	0270646	Ref	Deutz Engine Machines (Ether)	
		Ref	Deutz Engine Machines (Glow Plugs) Options:	
	0270647	Ref	Without ADE System	
	0271333	Ref	With ADE System Prior to SN 0300064571	
	0271912	Ref	With ADE System SN 0300064571 to SN 0300096000	
	0270670	Ref	Ford Engine Machines	
	0258999	Ref	Isuzu Engine Machines	
	2902393/4933307	Ref	DRIVE/STEER CUTOFF WIRING DIAGRAM	
	0258922	Ref	ENGINE BLOCK HEATER WIRING DIAGRAM (FORD ENGINES)	
	0270649	Ref	ETHER START WIRING DIAGRAM (DEUTZ ENGINE MACHINES)	
		Ref	GENERATOR ELECTRICAL DIAGRAMS:	
		Ref	(Note: See JLG Supplement p/n 3124242 for SkyPower Miller 7500W Generator)	
	4933153	Ref	110Volt (Without ADE System)	
	4933190	Ref	110Volt (Without ADE System Prior to SN 0300069030)	
	4933238	Ref	110Volt (With ADE System SN 0300069030 to SN 0300096000)	
	4933300	Ref	110 Volt (With ADE System SN 0300077682 to SN 0300096000 for Deutz & Caterpillar /SN 0300078473 to SN 0300096000 for Ford)	
	4933350	Ref	110 Volt (With ADE System GM Engines)	
	4933154	Ref	220 Volt (Without ADE System)	
	4933191	Ref	220 Volt (With ADE System Prior to SN 0300069030)	
	4933239	Ref	220 Volt (With ADE System SN 0300069030 to SN 0300077682 for Deutz & Caterpillar /SN 0300069030 to SN 0300078473 for Ford)	
	4933300	Ref	220 Volt (With ADE System SN 0300077682 to SN 0300096000 for Deutz & Caterpillar /SN 0300078473 to SN 0300096000 for Ford)	
		Ref	GLOW PLUG WIRING DIAGRAM (DEUTZ ENGINE MACHINES) OPTIONS:	
	4933175	Ref	Without ADE System	
	4933189	Ref	With ADE System Prior to SN 0300064571	
	4933217	Ref	With ADE System SN 0300064571 to SN 0300096000	

SECTION 7 ELECTRICAL

FIGURE 7-1. ELECTRICAL DIAGRAM LIST (CONTINUED)

ITEM #	PART NUMBER	QTY.	DESCRIPTION	REV.
		Ref	LIGHTS ELECTRICAL DIAGRAM OPTIONS:	
	4932917	Ref	Without ADE System	
	4933157	Ref	With ADE System Prior to SN 0300064509	
	4933219	Ref	With ADE System SN 0300064509 to SN 0300096000	
	3740049	1	Relay	
		Ref	PLATFORM ELECTRICAL DIAGRAM OPTIONS:	
	4922340	Ref	Without ADE System	
	4922665	Ref	With ADE System	
	4933313	Ref	PLATFORM FLOODLIGHTS ELECTRICAL DIAGRAM	
		Ref	PLATFORM WORKLIGHTS ELECTRICAL DIAGRAM OPTIONS:	
	0258309	Ref	Without ADE System	
	0270814	Ref	With ADE System	
		Ref	STANDARD ELECTRICAL DIAGRAMS	
	4933279	Ref	Caterpillar Engine Machines (Prior to SN 0300087630)	
	4933335	Ref	Caterpillar Engine Machines (SN 0300087630 to SN 0300091230)	
	4933353	Ref	Caterpillar Engine Machines (SN 0300091230 to SN 0300096000)	
	4933127	Ref	Deutz Without ADE System	
	4933177	Ref	Deutz With ADE System (Prior to SN 0300064404)	
	4933230	Ref	Deutz With ADE System (SN 0300064404 to SN 0300085617)	
	4933325	Ref	Deutz With ADE System (SN 0300085617 to SN 0300096000)	
	4933126	Ref	Ford Without ADE System	
	4933176	Ref	Ford With ADE System (Prior to SN 0300064404)	
	4933229	Ref	Ford With ADE System (SN 0300064404 to SN 0300087630)	
	4933334	Ref	Ford With ADE System (SN 0300087630 to SN 0300096000)	
	4933348	Ref	GM Engine Machines	
	4933202	Ref	Isuzu Engine	
		Ref	STANDARD ELECTRICAL SCHEMATICS	
	1870097	Ref	Deutz Without ADE System	
	1870096	Ref	Ford Without ADE System	
	1870142	Ref	Isuzu	
	1870132	Ref	Caterpillar/Deutz /Ford With ADE System	
	1870191	Ref	Deutz EMR2/GM (SN 0300085617 to SN 0300096000)	
		Ref	SOFT TOUCH ELECTRICAL DIAGRAM	
	4932980	Ref	Without ADE System	
	4933192	Ref	With ADE System Prior to SN 0300064509	
	4933237	Ref	With ADE System SN 0300064509 to SN 0300096000	
	4933027/1283129	Ref	STROBE LIGHT ELECTRICAL DIAGRAM (WITHOUT ADE SYSTEM)	

SECTION 7 ELECTRICAL

FIGURE 7-1. ELECTRICAL DIAGRAM LIST (CONTINUED)

ITEM #	PART NUMBER	QTY.	DESCRIPTION	REV.
	4933151	Ref	SKY WELDER ELECTRICAL DIAGRAM (OPTIONAL) Without ADE System With ADE System Prior to SN 0300064509 With ADE System SN 0300064509 to SN 0300096000	
	4933193	Ref		
	4933240	Ref		

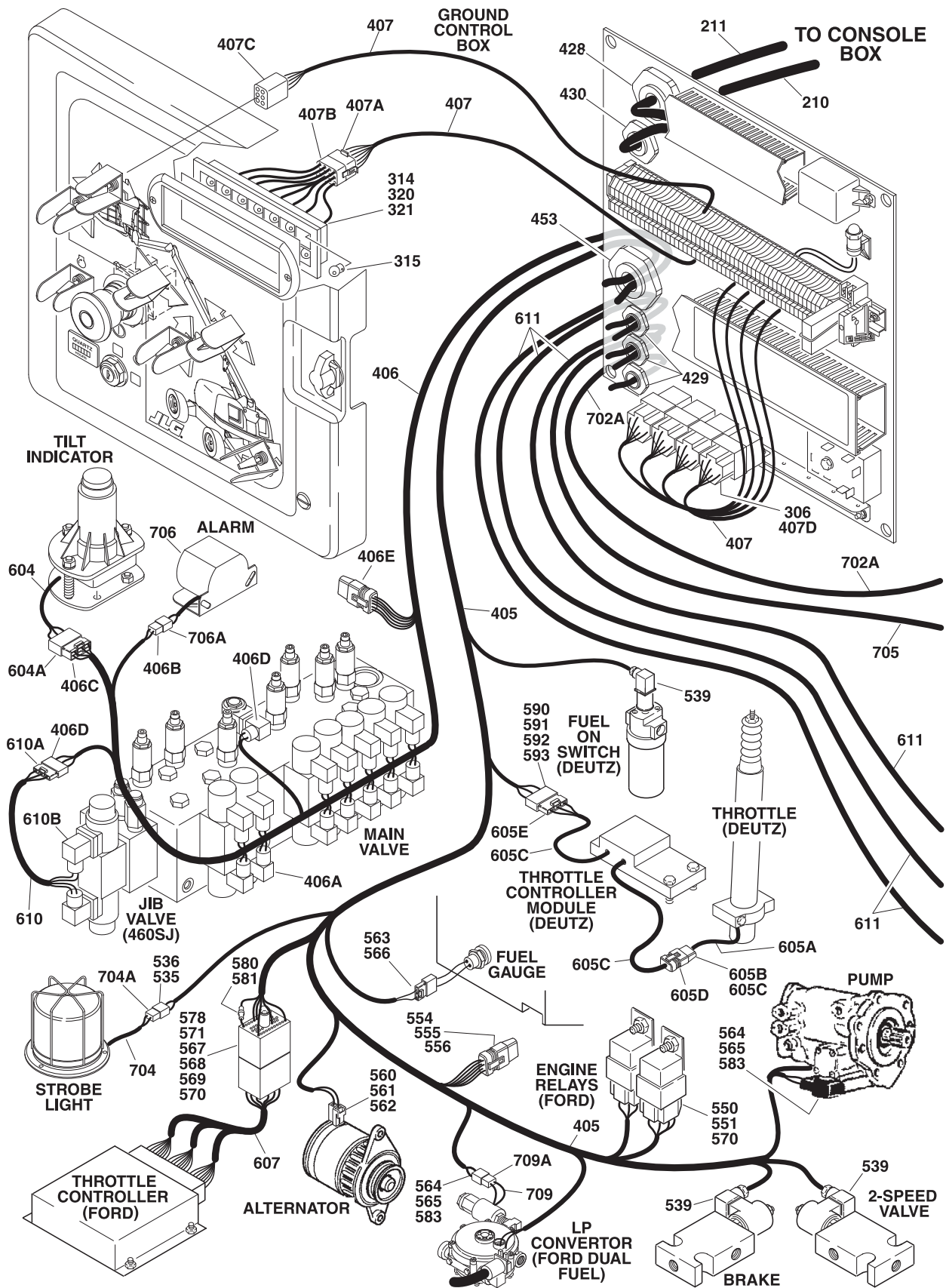
SECTION 7 ELECTRICAL

FIGURE 7-1. ELECTRICAL DIAGRAM LIST (CONTINUED)

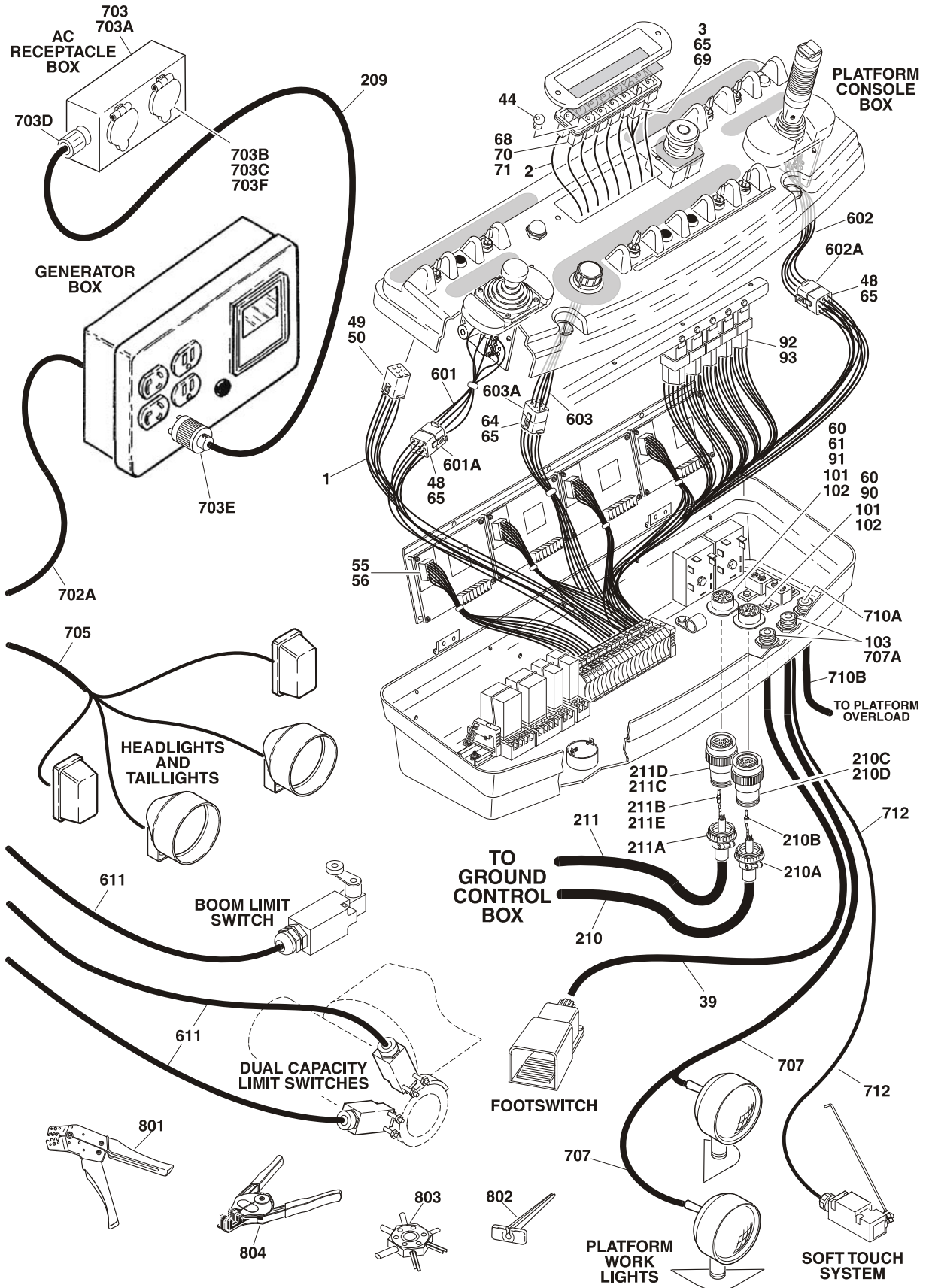
ITEM #	PART NUMBER	QTY.	DESCRIPTION	REV.

SECTION 7 ELECTRICAL

FIGURE 7-2. HARNESS COMPONENTS INSTALLATION (WITHOUT ADE SYSTEM)



SECTION 7 ELECTRICAL



SECTION 7 ELECTRICAL

FIGURE 7-2. HARNESS COMPONENTS INSTALLATION (WITHOUT ADE SYSTEM)

ITEM #	PART NUMBER	QTY.	DESCRIPTION	REV.
		Ref	HARNESS COMPONENTS INSTALLATION	
	4922340	Ref	PLATFORM BOX HARNESS ASSEMBLY	7/F
1	See Note	AR	Switch Harness (Made up of Individual Wires) (Note: Not Available for Purchase)	
2	See Note	AR	Light Display Harness (Made up of Individual Wires) (Note: Not Available for Purchase)	
3	See Note	AR	Fuel Gauge Harness (Made up of Individual Wires) (Note: Not Available for Purchase)	
4 to 38	Not Used			
39		7ft/2.13m	Cable, Electrical - 12/4 Options: Cable, Electrical (Prior to SN 0300060655) Cable, Electrical (SN 0300060655 to SN 0300096000)	
40 to 43	Not Used			
44	2920129	10	Bulb, Light	
45 to 47	Not Used			
48	4460265	2	Connector - 9 Position	
49	4460418	5	Connector - 6 Position	
50	4460419	26	Terminal, Female	
51 to 54	Not Used			
55	4460720	4	Connector - 15 Position	
56	4460721	44	Socket, Female	
57 to 59	Not Used			
60	4460464	31	Pin, Male (16 Gauge)	
61	4460508	4	Pin, Male (12 Gauge)	
62	3990001	23	Diode - 3 Amp (Not Shown)	
63	Not Used			
64	4460225	1	Connector - 6 Position	
65	4460267	36	Pin, Male	
66	3990010	10	Diode - 6 Amp (Not Shown)	
67	Not Used			
68	4120035	10	Socket, Light	
69	4460326	1	Plug - 3 Position	
70	4460634	10	Insert, Terminal (Single Wire)	
71	4460635	8	Insert, Terminal (Double Wire)	
72 to 89	Not Used			
90	4460613	1	Connector - 21 Position	
91	4460503	1	Connector - 31 Position	
92	4460741	5	Plug - 5 Position	
93	4460420	22	Terminal	
		Ref	PLATFORM BOX ASSEMBLY COMPONENTS	
101	4460470	2	Nut, Conduit	
102	4460471	2	Washer, Conduit	
103	4460428	2	Connector, Strain Relief	

SECTION 7 ELECTRICAL

**FIGURE 7-2. HARNESS COMPONENTS INSTALLATION (WITHOUT ADE SYSTEM)
(CONTINUED)**

ITEM #	PART NUMBER	QTY.	DESCRIPTION	REV.
		Ref	BOOM CABLES INSTALLATION	
	0259189	Ref	400S	9
	0259190	Ref	460SJ	9
201 to 208	Not Used			
209	1060494	AR	Cable, Electrical - 12/3	
		60ft/18.3m	400S	
		63ft/19.2m	460SJ	
210		1	Cable, Electrical - 16/30 Options:	
	4922387		400S	1
	4922375		460SJ	1
	1060516	AR	Cable, Electrical - 16/30	
		54ft/16.5m	400S	
		60ft/18.3m	460SJ	
210A	4460473	1	Clamp, Cable	
210B	4460465	30	Socket, Female	
210C	4460502	1	Connector - 31 Position	
210D	4460466	1	Plug, Seal	
211		AR	Cable, Electrical - 16/4 & 12/4	
	4922388		400S	3/C
	4922376		460SJ	4/C
	1060602	AR	Cable, Electrical - 16/10 & 12/4 Options: (Does not Include Terminals)	
		54ft/16.5m	400S	
		60ft/18.3m	460SJ	
211A	4460473	1	Clamp, Cable	
211B	4460465	4	Socket, Female	
211C	4460614	1	Connector - 21 Position	
211D	4460466	13	Plug, Seal	
211E	4460509	4	Socket, Female	
		Ref	GROUND CONTROL BOX DIAGRAMS	
	4933127	Ref	Deutz Engine	4/D
	4933126	Ref	Ford Engine	5/G
	4933202	Ref	Isuzu Engine	2/B
301 to 305	Not Used			
306	4460420	AR	Connector, Relay	
307 to 311	Not Used			
312	3990010	AR	Diode 6 Amp (Not Shown)	
313	Not Used			
314	4120035	AR	Base, Light	
315	2920129	AR	Bulb, Light	
316 to 318	Not Used			
319	3730023	1	Resistor 500 Ohm (Not Shown - Located at Alternator Light)	
320	4460634	3	Insert, Terminal (Single Wire)	
321	4460635	AR	Insert, Terminal (Double Wire)	

SECTION 7 ELECTRICAL

**FIGURE 7-2. HARNESS COMPONENTS INSTALLATION (WITHOUT ADE SYSTEM)
(CONTINUED)**

ITEM #	PART NUMBER	QTY.	DESCRIPTION	REV.
		Ref	GROUND CONTROL BOX ASSY COMPONENTS	
401 to 404	Not Used			
405		1	Engine Harness Assembly Options: (See Items 501-593 for Breakdown)	
	4922347		Deutz Engine	
	4922344		Ford Engine	
	4922601		Isuzu Engine	
406	4922346	1	Valve Harness Assembly	3/C
406A	4460499	14	DIN Connector with Diode	
406B	4460320	1	Connector - 2 Position	
	4460267	2	Pin, Male	
406C	4460225	1	Housing, Terminal - 6 Position	
	4460267	4	Pin, Male	
406D	4460445	1	Connector - 3 Position	
	4460268	3	Socket, Female	
406E	4460836	2	Connector, Deutsch - 12 Position	
	4460837	2	Housing, Terminal Connector	
	4460465	20	Socket, Female	
407		1	Ground Control Box Harness Assembly Options:	
	4922349		Deutz/Isuzu Engine	5
	4922348		Ford Engine	5
	3990010	13	Diode 6 Amp (Not Shown)	
407A	4460224	1	Connector - 6 Position	
	4460268	6	Socket, Female	
407B	4460225	1	Connector - 6 Position	
	4460267	6	Pin, Male	
407C	4460418	9	Connector - 6 Position	
	4460419	46	Terminal, Female	
407D	4460268	AR	Socket, Female	
407E	3730099	1	Resistor (Not Shown)	
407F	4460420	6	Plug, Relay	
	4460741	13	Terminal, Relay Plug	
408 to 427	Not Used			
428	4460526	1	Connector, Strain Relief	
429	4460428	3	Connector, Strain Relief	
430	4460426	1	Connector, Strain Relief	
431 to 452	Not Used			
453	4460711	1	Connector, Strain Relief	
		Ref	ENGINE HARNESS ASSEMBLY	
	4922347	Ref	DEUTZ ENGINE	6/G
	4922344	Ref	FORD ENGINE	5/E
	4922601	Ref	ISUZU ENGINE	2/B
501 to 534	Not Used			
535	4460424	1	Connector - 2 Position	
536	4460268	2	Socket, Female	
537 to 538	Not Used			

SECTION 7 ELECTRICAL

**FIGURE 7-2. HARNESS COMPONENTS INSTALLATION (WITHOUT ADE SYSTEM)
(CONTINUED)**

ITEM #	PART NUMBER	QTY.	DESCRIPTION	REV.
539	4460499	AR	DIN Connector with Diode	
540 to 549	Not Used			
550	4460374	1	Plug, Sealed (Ford Engine Only)	
551	4460375	4	Terminal (Ford Engine Only)	
552 to 553	Not Used			
554	4460837	1	Housing, Deutsch	
555	4460836	1	Connector, Deutsch	
556	4460465	12	Terminal	
557 to 559	Not Used			
560	4460582	3	Terminal (Ford Engine Only)	
	4460797	3	Terminal (Isuzu Engine Only)	
561	4460580	1	Lock, Terminal (Ford Engine Only)	
	4460794	1	Seal, Terminal (Isuzu Engine Only)	
562	4460579	1	Housing - 3 Position (Ford Engine Only)	
	4460793	1	Housing - 3 Position (Isuzu Engine Only)	
	4460795	1	Plug, Alternator (Isuzu Engine Only)	
563	4460834	1	Connector - 2 Position	
564	4460457	4	Terminal, Female	
565	4460458	4	Seal, Terminal	
566	4460842	2	Terminal, Female	
567	4460713	1	Housing, Connector - 42 Position (Ford Engine Only)	
568	4460725	1	Lock, Wedge - Center (Ford Engine Only)	
569	4460726	2	Lock, Wedge - Side (Ford Engine Only)	
570	4460800	30	Plug, Hole (Ford Engine Only)	
571	4460799	9	Pin, Male (Ford Engine Only)	
572	4460784	1	Housing - 6 Position (Isuzu Engine Only)	
573	4460783	5	Terminal, Spade (Isuzu Engine Only)	
574	4460458	1	Seal, Terminal (Isuzu Engine Only)	
575	4460459	1	Connector - 3 Position (Isuzu Engine Only)	
576	4460457	1	Terminal, Female (Isuzu Engine Only)	
577	4460790	2	Socket, Female (Isuzu Engine Only)	
578	4460728	4	Pin, Male (Ford Engine Only)	
579	4460789	2	Seal, Terminal (Isuzu Engine Only)	
580	2400061	2	Fuse (Ford Engine Only)	
581	2400060	2	Fuseholder/Cover (Ford Engine Only)	
582	Not Used			
583	4460742	2	Connector - 2 Position	
584	4460780	1	Housing - 2 Position (Isuzu Engine Only)	
585	4460781	2	Socket, Female (Isuzu Engine Only)	
586 to 589	Not Used			
590	4460591	1	Terminal, Lock (Deutz/Isuzu Engine Only)	
591	4460589	3	Socket (Deutz/Isuzu Engine Only)	
592	4460608	3	Seal, Cable (Deutz/Isuzu Engine Only)	
593	4460777	1	Housing - 4 Position (Deutz/Isuzu Engine Only)	

SECTION 7 ELECTRICAL

**FIGURE 7-2. HARNESS COMPONENTS INSTALLATION (WITHOUT ADE SYSTEM)
(CONTINUED)**

ITEM #	PART NUMBER	QTY.	DESCRIPTION	REV.
		Ref	STANDARD HARNESS COMPONENTS	
601	See Note	1	Controller Harness Assembly (Lift and Swing) (Note: Not Available for Purchase)	
601A	4460266	1	Connector - 9 Position	
	4460268	7	Socket, Female	
602	See Note	1	Controller Harness/Circuit Board Assembly (Drive and Steer) (Note: Not Available for Purchase)	
602A	4460266	1	Connector - 9 Position	
	4460268	7	Socket, Female	
603	See Note	1	Controller Harness - Speed (Note: Not Available for Purchase)	
603A	4460224	1	Connector - 6 Position	
	4460268	6	Socket, Female	
604	See Note	1	Tilt Indicator Harness (Note: Not Available for Purchase)	
604A	4460224	1	Connector - 6 Position	
	4460268	6	Socket, Female	
605	See Note	1	Throttle Actuator/Controller Harness (Deutz/Isuzu) (Note: Not Available for Purchase)	
	Use 2910000	1	Throttle Actuator and Controller Assembly (was p/n 0060033)	
	7008833	1	Mounting Clamp Kit (Not Shown)	
	7020234	1	Spring, Retract (Not Shown)	
605A	Use 2910000	1	Throttle Actuator & Harness (Note: Not Available for Purchase)	
	7016336	1	Boot Kit	
605B	Use 2910000	9	Pin, Male (Note: Not Available for Purchase)	
	Use 2910000	1	Connector, Male (Note: Not Available for Purchase)	
605C	Use 2910000	1	Controller & Harness	
605D	Use 2910000	9	Socket, Female (Note: Not Available for Purchase)	
	Use 2910000	1	Connector (Note: Not Available for Purchase)	
605E	Use 2910000	1	Connector - 4 Position (Note: Not Available for Purchase)	
	4460693	4	Pin, Male	
	4460591	1	Clip	
	4460608	4	Seal, Terminal	
606	7022134	1	Fuel Pump Harness (Ford) (Not Shown - Consult Local Ford Dealer for Connectors)	
607	7022137	1	Engine Control Processor Harness (Ford) (Consult Local Ford Dealer for Connectors)	
608 to 609	Not Used			
610	4921927	1	Jib Valve Harness (460SJ Only)	
610A	4460326	1	Connector - 3 Position	
	4460267	3	Pin, Male	
610B	4460499	2	Connector, DIN with Diode	
611	See Note	AR	Limit Switch Harness (Note: Not Available for Purchase)	
	1060341	37ft/11.3m	Cable, Electrical - 16/2	
612	0259198	1	Fuel-On Timer Module & Harness Assembly (Isuzu Engine Machines Only)	
612A	4460476	1	Connector - 3 Position	
612B	4460475	3	Pin, Male	

SECTION 7 ELECTRICAL

**FIGURE 7-2. HARNESS COMPONENTS INSTALLATION (WITHOUT ADE SYSTEM)
(CONTINUED)**

ITEM #	PART NUMBER	QTY.	DESCRIPTION	REV.
612C	4460459	1	Connector - 3 Position	
612D	4460457	3	Socket, Female	
612E	4460458	6	Seal, Terminal	
613	See Note	1	Relay Harness (Isuzu Engine Machines) (Note: Not Available for Purchase)	
613A	4460476	1	Connector - 3 Position	
613B	4460475	3	Pin, Male	
		Ref	OPTIONAL HARNESS COMPONENTS	
701	Not Used			
702			Generator Electrical Components	
	4933153	Ref	110V	1/A
	4933154	Ref	220V	1/A
	3990010	1	Diode - 6 Amp (Not Shown)	
702A	4921938	1	Harness - On/Off Switch (Powermite Control Box to Ground Control Box)	
703			AC to Platform Receptacle Components Options:	
	0270022	Ref	110V GFI Receptacle	1
	0270024	Ref	220V GFI Receptacle	1
703A	0860038	1	Box, Switch	
703B		1	Receptacle Options:	
	4460346		110V GFI	
	4460125		220V GFI	
703C		1	Shield, Cover Options:	
	4060700		110V GFI	
	4060092		220V GFI	
703D	4460071	1	Connector, Strain Relief	
703E		2	Connector Options:	
	4460205		110V GFI	
	4460233		220V GFI	
703F	3960422	1	Gasket	
704	See Note	1	Strobe Light Harness (Note: Not Available for Purchase)	—
704A	4460320	1	Connector, Female - 2 Position	
	4460267	2	Pin, Male	
705	See Note	1	Lights Harness (Note: Not Available for Purchase)	
	3740049	1	Relay (Not Shown)	
	1060341	37ft/11.3m	Cable, Electrical - 16/2	
706	See Note	1	Alarm Harness (Includes Alarm) (Note: Not Available for Purchase)	
706A	4460424	1	Connector - 2 Position	
	4460268	2	Socket, Female	
	1060341	37ft/11.3	Cable, Electrical - 16/2	
707	See Note	2	Platform Worklights Harness (Note: Not Available for Purchase)	
	2820035	9ft/2.8m	Loom, Vinyl	
707A	4460598	1	Connector, Strain Relief	
	4460442	2	Terminal (Not Shown-Located in Platform Console)	
708	Not Used			

SECTION 7 ELECTRICAL

**FIGURE 7-2. HARNESS COMPONENTS INSTALLATION (WITHOUT ADE SYSTEM)
(CONTINUED)**

ITEM #	PART NUMBER	QTY.	DESCRIPTION	REV.
709	See Note	1	Dual Fuel Shut-Off Filter Harness (Note: Not Available for Purchase)	
709A	7023679	1	Electrical Connector Kit (Includes [1] 2 Position Connector, 2 Pins & 2 Seals)	
710 to 711	Not Required			
712	See Note	1	Soft Touch System Harness (Note: Not Available for Purchase)	
		Ref	TOOLS	
	4922021	1	Service Harness (For Setting Circuit Cards)	
801	7002821	1	Crimper (For Wire to Pin/Socket Connections)	
802	7002823	1	Extractor (For Removal of Pin/Socket from Connectors)	
803	4460467	1	Extractor, Pin (Blue 16-18 Gauge) (For Removal of Pin/Socket from Connectors)	
	4460510	1	Extractor, Pin (Yellow 12-14 Gauge) (For Removal of Pin/Socket from Connectors)	
804	7002828	1	Stripper, Wire	

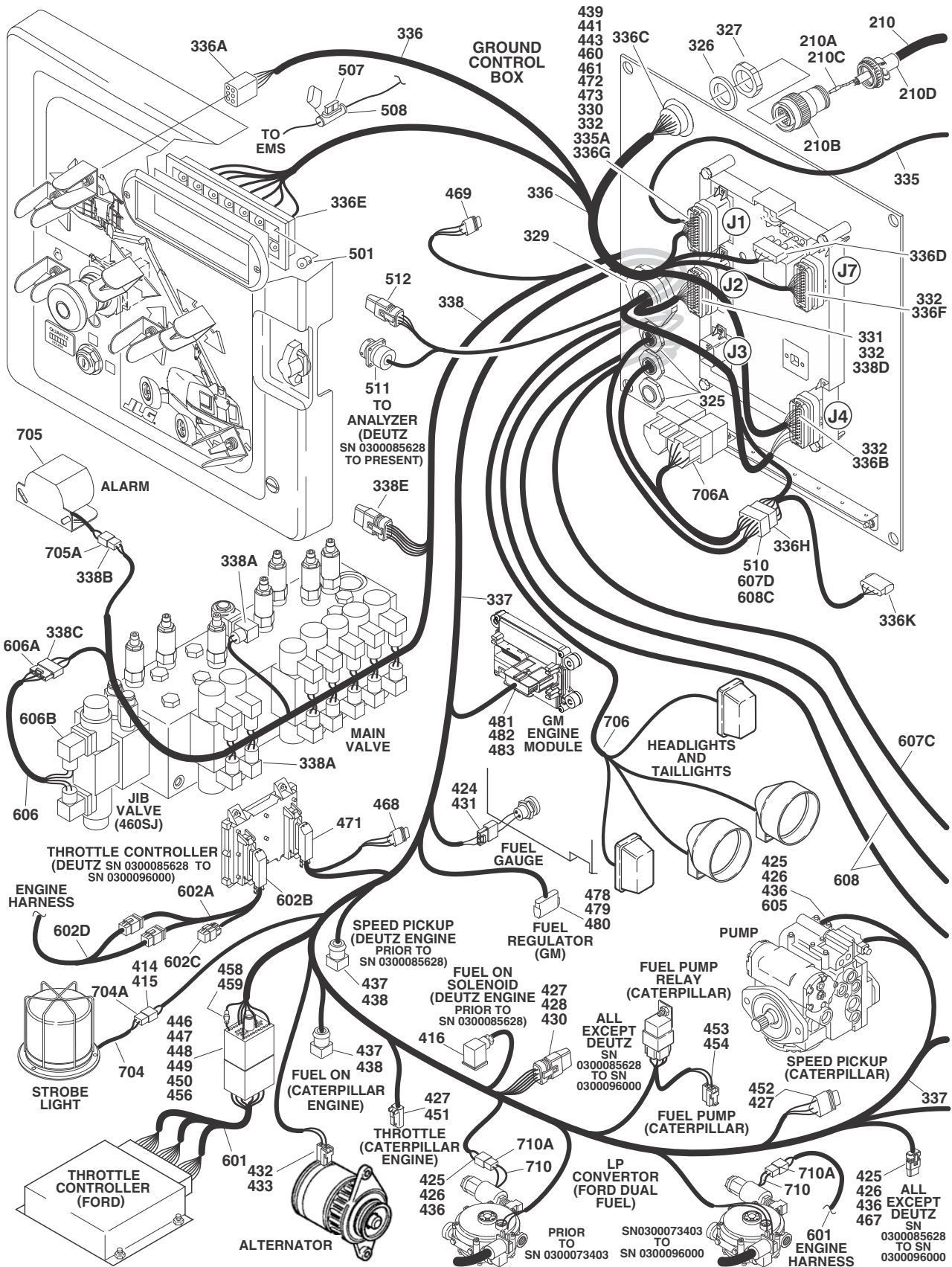
SECTION 7 ELECTRICAL

**FIGURE 7-2. HARNESS COMPONENTS INSTALLATION (WITHOUT ADE SYSTEM)
(CONTINUED)**

ITEM #	PART NUMBER	QTY.	DESCRIPTION	REV.

SECTION 7 ELECTRICAL

FIGURE 7-3. HARNESS COMPONENTS INSTALLATION (WITH ADE SYSTEM)



SECTION 7 ELECTRICAL

FIGURE 7-3. HARNESS COMPONENTS INSTALLATION (WITH ADE SYSTEM)

ITEM #	PART NUMBER	QTY.	DESCRIPTION	REV.
		Ref	PLATFORM CONSOLE BOX COMPONENTS	
1 to 3	Not Used			
4	0100048	AR	Grease, Dielectric (Not Shown)	
5 to 13	Not Used			
14	1060918	7ft/2.14m	Cable, Electrical - 18/3	
15 to 42	Not Used			
43	4460071	1	Connector, Strain Relief	
44	4460226	2	Socket, Female	
45	Not Used			
46	4460428	2	Connector, Strain Relief	
47	4460464	1	Pin, Male Deutsch	
48	4460470	1	Nut, Terminal	
49	4460471	1	Lockwasher, Terminal	
50	Not Used			
51	4460708	2	Connector - 15 Position	
52	4460905	5	Seal, Plug	
53 to 55	Not Used			
56	4922665	1	Harness, Platform Box (See Items 101-109 for Breakdown)	
57	4922666	1	Harness, Analyzer Cable	2/B
	4460226	4	Socket, Female (Not Shown - Located at J2)	
57A	4460761	1	Connector - 4 Position	
	4460227	4	Pin, Male	
	4922665	Ref	PLATFORM BOX HARNESS ASSEMBLY	3/C
101	4460866	1	Connector - 19 Position	
	4460464	7	Pin, Male Deutsch 16 Ga	
	4460508	3	Pin, Male Deutsch 12 Ga	
102	4460874	1	Connector - 35 Position (Natural)	
	4460871	23	Socket, Female	
103	4460875	1	Connector - 35 Position (Gray)	
	4460871	18	Socket, Female	
104	4460873	1	Connector - 35 Position (Black)	
	4460871	8	Socket, Female	
105	4460879	1	Connector - 2 Position	
	4460887	2	Terminal (12 Gauge)	
106	4460418	6	Connector - 6 Position	
	4460419	18	Socket, Female	
107	4460225	2	Connector - 6 Position	
	4460226	18	Terminal (16 Gauge)	
108	4460225	1	Connector - 6 Position	
	4460227	16	Pin	
109	4460434	2	Connector - 15 Position	
	4460227	16	Pin	

SECTION 7 ELECTRICAL

FIGURE 7-3. HARNESS COMPONENTS INSTALLATION (WITH ADE SYSTEM) (CONTINUED)

ITEM #	PART NUMBER	QTY.	DESCRIPTION	REV.
		Ref	BOOM CABLES INSTALLATION	
	0271160	Ref	400S	8
	0271159	Ref	460SJ	8
	0272612	Ref	400S (7500w 60Hz Generator - SKYPOWER) (SN 0300068836 to SN 0300096000)	4
	0272613	Ref	460SJ (7500w 60Hz Generator - SKYPOWER) (SN 0300068836 to SN 0300096000)	4
201 to 208	Not Used			
209		AR	Cable, Electrical Options:	
	1060494	63ft/19.2m	Cable, Electrical - 12/3 (Prior to SN 0300068444)	
	1060985	1	Cable, Electrical - 12/3 (400S) (57ft/17.4m) (SN 0300068444 to SN 0300096000)	
	1060983	1	Cable, Electrical - 12/3 (460SJ) (63ft/19.2m) (SN 0300068444 to SN 0300096000)	
	4922802	1	Harness, Electrical - 8/5 (400S) (With 7500w 60Hz Generator)	
	4922803	1	Harness, Electrical - 8/5 (460SJ) (With 7500w 60Hz Generator)	
210		AR	Harness Assembly (12/4 - 18/8)	
	4922548	1	400S	3/C
	4922547	1	460SJ	3/C
	1060896	AR	Cable, Electrical - 12/4&18/8 Options:	
		54ft/16.5m	400S	
		60ft/18.3m	460SJ	
210A	4460465	22	Socket, Female 18 Gauge	
210B	4460865	1	Connector Deutsch - 19 Position	
210C	4460509	8	Socket, Female 12 Gauge	
210D	4460473	1	Clamp. Cable	
210E	4460466	4	Seal, Plug	
211 to 223	Not Used			
224	4460865	1	Connector Deutsch - 19 Position	
225	4460473	1	Clamp. Cable	
		Ref	GROUND CONTROL BOX COMPONENTS	
301 to 324	Not Used			
325	4460428	3	Connector, Strain Relief	
326	4460470	1	Nut, Terminal	
327	4460471	1	Locknut, Terminal	
328	Not Used			
329	4460526	1	Connector, Strain Relief	
330	4460874	1	Connector (Natural)	
331	4460875	1	Connector (Gray)	
332	4460905	4	Seal, Plug	
333 to 334	Not Used			
335		1	Cable, Analyzer Options:	
	4922485		Prior to SN 0300064404	3
	4922666		SN 0300064404 to SN 0300085617	1
	Not Required		SN 0300085617 to SN 0300096000	

SECTION 7 ELECTRICAL

FIGURE 7-3. HARNESS COMPONENTS INSTALLATION (WITH ADE SYSTEM) (CONTINUED)

ITEM #	PART NUMBER	QTY.	DESCRIPTION	REV.	
335A	4460871	4	Socket, Female (Not Shown - Located at J1) Prior to SN 0300064404 SN 0300064404 to SN 0300085617 SN 0300085617 to SN 0300096000		
	4460226				
	Not Required				
335B	4460761	1	Connector - 4 Position		
	4460227	4	Pin, Male		
336		1	Ground Control Box Harness Assembly		
	4922664		Caterpillar Engine Machines (Prior to SN 0300087630)	6/G	
	4923236		Caterpillar Engine Machines (SN 0300087630 to SN 0300091230)	1/B	
	4923456		Caterpillar Engine Machines (SN 0300091230 to SN 0300096000)	B	
	4922540		Deutz Engine Machines (Prior to SN 0300064404)	5/E	
	4922664		Deutz Engine Machines (SN 0300064404 to SN 0300085617)	5/F	
	4923261		Deutz Engine Machines (SN 0300085617 to SN 0300096000)	C	
	4922539		Ford Engine Machines (Prior to SN 0300064404)	5/E	
	4922663		Ford Engine Machines (SN 0300064404 to SN 0300067471)	3/C	
	4922664		Ford Engine Machines (SN 0300067471 to SN 0300087630)	6/G	
	4923236		Ford Engine Machines (SN 0300087630 to SN 0300091230)	1/B	
	4923456		Ford Engine Machines (SN 0300091230 to SN 0300096000)	B	
	4923261		GM Engine Machines (was p/n 4923236)	C	
	3990010	2	Diode 6 Amp		
	336A	4460418	7	Connector - 6 Position	
		4460419	21	Socket, Female	
336B	4460876	1	Connector - 35 Position (Blue)		
	4460871	24	Socket, Female		
	4460905	28	Seal, Plug		
336C	4460866	1	Connector - 19 Pin		
	4460464	7	Pin, Male Deutsch 16 Ga		
	4460508	3	Pin, Male (12 Gauge)		
336D	4460878	1	Housing, Terminal - 4 Position		
	4460887	3	Terminal (12 Gauge)		
336E	4120035	6	Base, Light		
	4460634	7	Terminal (16 Gauge)		
336F	4460873	1	Connector - 35 Position (Black)		
	4460871	20	Socket, Female		
	4460905	1	Seal, Plug		
336G	4460871	3	Socket, Female		
336H	4460434	1	Connector - 15 Position		
	4460227	14	Pin		
336J	4460536	1	Connector - 3 Position (Deutz Engines SN 0300085617 to SN 0300096000 & All GM Engines)		
	4460943	3	Socket, Female (Deutz & GM Engines SN 0300085617 to SN 0300096000 & All GM Engines)		

SECTION 7 ELECTRICAL

FIGURE 7-3. HARNESS COMPONENTS INSTALLATION (WITH ADE SYSTEM) (CONTINUED)

ITEM #	PART NUMBER	QTY.	DESCRIPTION	REV.
336K	4460761	1	Connector - 4 Position (Deutz SN 0300085617 to SN 96000/Caterpillar Engines SN 0300087630 to SN 0300096000 & All GM Engines)	
	4460227	4	Pin, Male (Deutz Engines SN 0300085617 to SN 0300096000 /Caterpillar Engines SN 0300087630 to SN 0300096000/All GM Engines)	
337		1	Engine Harness Assembly (See Items 401-460 for Breakdown)	
	4922880		Caterpillar Engine Machines (Prior to SN 0300087630)	
	4923234		Caterpillar Engine Machines (SN 0300087630 to SN 0300091230)	
	4923356		Caterpillar Engine Machines (SN 0300091230 to SN 0300096000)	
	4922537		Deutz Engine Machines (Prior to SN 0300085617)	
	4923260		Deutz Engine Machines (SN 0300085617 to SN 0300096000)	
	4922536		Ford Engine Machines (Prior to SN 0300087630)	
	4923235		Ford Engine Machines (SN 0300087630 to SN 0300096000)	
	4923419		GM Engine Machines	
338	4922538	1	Valve Harness Assembly	4/D
338A	4460880	14	DIN Connector	
338B	4460320	2	Connector - 2 Position	
	4460267	4	Pin, Male	
338C	4460445	1	Connector - 3 Position	
	4460268	3	Pin, Female	
338D	4460871	20	Socket, Female	
338E	4460836	2	Connector, Deutsch - 12 Position	
	4460837	2	Housing, Terminal Connector	
	4460465	22	Socket, Female	
339		1	Ground Control Box Wiring Diagram (Not Shown - See Items 501 to 512 for Breakdown)	
	4933279	Ref	Caterpillar Engine Machines (Prior to SN 0300087630)	
	4933335	Ref	Caterpillar Engine Machines (SN 0300087630 to SN 030009123)	
	4933353	Ref	Caterpillar Engine Machines (SN 0300091230 to SN 0300096000)	
	4933177	Ref	Deutz Engine Machines (Prior to SN 0300064404)	
	4933230	Ref	Deutz Engine Machines (SN 0300064404 to SN 0300085617)	
	4933325	Ref	Deutz Engine Machines (SN 0300085617 to SN 0300096000)	
	4933176	Ref	Ford Engine Machines (Prior to SN 0300064404)	
	4933229	Ref	Ford Engine Machines (SN 0300064404 to SN 0300087630)	
	4933334	Ref	Ford Engine Machines (SN 0300087630 to SN 0300096000)	
	4933348	Ref	GM Engine Machines	

SECTION 7 ELECTRICAL

FIGURE 7-3. HARNESS COMPONENTS INSTALLATION (WITH ADE SYSTEM) (CONTINUED)

ITEM #	PART NUMBER	QTY.	DESCRIPTION	REV.
		Ref	ENGINE HARNESS ASSEMBLY	
	4922880	Ref	Caterpillar Engine (Prior to SN 0300087630)	5/D
	4923234	Ref	Caterpillar Engine (SN 0300087630 to SN 0300091230)	3/C
	4923356	Ref	Caterpillar Engine (SN 0300091230 to SN 0300096000)	1/A
	4922537	Ref	Deutz Engine Prior to SN 0300085617	7/F
	4923260	Ref	Deutz Engine SN 0300085617 to SN 0300096000	D
	4922536	Ref	Ford Engine (Prior to SN 0300087630)	6/F
	4923235	Ref	Ford Engine (SN 0300087630 to SN 0300096000)	2/B
	4923419	Ref	GM Engine	B
401 to 413	Not Used			
414	4460424	1	Connector - 2 Position	
415	4460268	2	Socket, Female	
416	4460880	AR	DIN Connector without Diode	
417 to 423	Not Used			
424	4460834	1	Connector - 2 Position	
425	4460457	AR	Terminal, Female	
426	4460458	AR	Seal, Terminal	
427	4460465	AR	Socket, Female	
428	4460836	1	Connector, Deutsch - 12 Position (Deutz Prior to SN 0300085617 & All Ford Engines Only)	
429	Not Used			
430	4460837	1	Housing, Terminal Connector (Deutz Prior to SN 0300085617 & All Ford Engines Only)	
431	4460842	2	Terminal, Female	
432	4460579	1	Housing - 3 Position (Ford Engine Only)	
	4460582	3	Terminal (Ford Engine Only)	
	4460580	1	Lock, Terminal (Ford Engine Only)	
433	4461157	1	Housing - 2 Position (GM Engine Only)	
	4460458	2	Seal, Terminal (GM Engine Only)	
	4460979	2	Terminal (GM Engine Only)	
434 to 435	Not Used			
436	4460742	AR	Connector, Male - 2 Position	
437	4460890	1	Housing - 2 Position (Deutz Prior to SN 0300085617 & All Caterpillar Engines Only)	
438	4460889	2	Terminal (Deutz Prior to SN 0300085617 & All Caterpillar Engines Only)	
439	4460887	2	Terminal (12 Gauge)	
440	Not Used			
441	4460464	1	Pin, Male	
442	Not Used			
443	4460871	AR	Socket, Female	
444 to 445	Not Used			
446	4460713	1	Connector, Housing 42 Position (Ford Engine Only)	
447	4460725	1	Connector Wedge Lock, Center (Ford Engine Only)	
448	4460726	2	Connector Wedge Lock, Side (Ford Engine Only)	
449	4460800	32	Connector, Plug (Ford Engine Only)	
450	4460799	6	Pin, Male (Ford Engine Only)	
451	4460891	1	Connector - 2 Position (Caterpillar Engine Only)	
452	4460539	1	Connector 3 Position (Caterpillar Engine Only)	

SECTION 7 ELECTRICAL

FIGURE 7-3. HARNESS COMPONENTS INSTALLATION (WITH ADE SYSTEM) (CONTINUED)

ITEM #	PART NUMBER	QTY.	DESCRIPTION	REV.
453	4460993	2	Terminal, Spade (Caterpillar Engine Only)	
454	4460994	1	Connector 2 Position (Caterpillar Engine Only)	
455	Not Used			
456	4460728	3	Pin, Male (Ford Engine Only)	
457	Not Used			
458	2400061	2	Fuse (Ford Engine Only)	
459	2400060	2	Holder, Fuse (Ford Engine Only)	
460		AR	Socket, Female Options:	
	Not Required	0	All Machines Prior to SN 0300066372	
	4460226	1	Caterpillar & Ford Engines SN 0300066372 to SN 0300096000	
	4460226	1	Deutz Engines SN 0300066372 to SN 0300085617	
	4460465	1	Deutz Engines SN 0300085617 to SN 0300096000	
461	3990001	1	Diode (Caterpillar Engine Only SN 0300087630 to SN 0300096000)	
462 to 466	Not Used			
467	3730120	1	Resistor Assembly (Ford Engine Only - SN 0300073403 to SN 0300096000)	
468	4461070	1	Connector - 3 Position with Resistor (Deutz SN 0300085617 to SN 0300096000 Only)	
	4460944	3	Socket, Female (Deutz SN 0300085617 to SN 0300096000 Only)	
	4461095	1	Connector - 3 Position (Deutz SN 0300085617 to SN 0300096000 Only)	
469	4460539	1	Connector - 3 Position (Deutz SN 0300085617 to SN 0300096000 Only)	
	4460944	3	Socket, Female (Deutz SN 0300085617 to SN 0300096000 Only)	
470	4922099	AR	Can Buss Cable (Deutz SN 0300085617 to SN 0300096000 Only)	
471	4461052	1	Connector - 25 Position (Deutz SN 0300085617 to SN 0300096000 Only)	
	4461053	1	Cover, Receptacle (Deutz SN 0300085617 to SN 0300096000 Only)	
	4461005	5	Terminal (Deutz SN 0300085617 to SN 0300096000 Only)	
	4461006	5	Seal (Used with p/n 4461005) (Deutz SN 0300085617 to SN 0300096000 Only)	
	4461060	2	Terminal (Deutz SN 0300085617 to SN 0300096000 Only)	
	4461054	2	Seal (Used with p/n 4461060) (Deutz SN 0300085617 to SN 0300096000 Only)	
	4461008	18	Plug, Hole (Deutz SN 0300085617 to SN 0300096000 Only)	
472	4460465	1	Socket, Female (GM Engine Only)	
473	4460226	1	Socket, Female (GM Engine Only)	
474	4461124	1	Connector - 4 Position (GM Engine Only)	
475	4460693	4	Terminal, Male (GM Engine Only)	
476	4460608	4	Seal (GM Engine Only)	
477	4461161	1	Lock, Terminal (GM Engine Only)	
478	4461121	1	Connector - 4 Position (GM Engine Only)	
479	4461122	4	Terminal, Female (GM Engine Only)	
480	4461123	4	Seal (GM Engine Only)	
481	4461109	1	Connector - 16 Position (GM Engine Only)	

SECTION 7 ELECTRICAL

FIGURE 7-3. HARNESS COMPONENTS INSTALLATION (WITH ADE SYSTEM) (CONTINUED)

ITEM #	PART NUMBER	QTY.	DESCRIPTION	REV.
482	4461111	7	Pin, Male (GM Engine Only)	
483	4461113	7	Seal (GM Engine Only)	
	4461222	9	Plug (GM Engine Only)	
		Ref	GROUND CONTROL BOX WIRING DIAGRAM	
	4933279	Ref	Caterpillar Engine Machines (Prior to SN 0300087630)	3/D
	4933335	Ref	Caterpillar Engine Machines (SN 0300087630 to SN 0300091230)	3/C
	4933353	Ref	Caterpillar Engine Machines (SN 0300091230 to SN 0300096000)	1/A
	4933177	Ref	Deutz Engine Machines (Prior to SN 0300064404)	2/C
	4933230	Ref	Deutz Engine Machines (SN 0300064404 to SN 0300085617)	4/F
	4933325	Ref	Deutz Engine Machines (SN 0300085617 to SN 0300096000)	D
	4933176	Ref	Ford Engine Machines (Prior to SN 0300064404)	2/C
	4933229	Ref	Ford Engine Machines (SN 0300064404 to SN 0300087630)	4/E
	4933334	Ref	Ford Engine Machines (SN 0300087630 to SN 0300096000)	2/B
	4933348	Ref	GM Engine Machines	B
501	2920129	AR	Bulb, Light	
502 to 506	Not Used			
507	2400065	1	Fuse, 30Amp	
508	2400066	1	Fuse, Holder	
509	Not Used			
510	4460708	AR	Connector - 15 Position (SN 0300064404 to SN 0300096000)	
	4460226	AR	Socket, Female	
	4922637	1	Harness, Jumper (Not Shown)	
	4922636	1	Harness, Jumper (Not Shown) (Caterpillar Machines Only)	
511	2902443	1	Receptacle Kit (Deutz SN 0300085617 to SN 0300096000 Only)	
	4461072		Connector - 12 Position (Deutz SN 0300085617 to SN 0300096000 Only)	
	4461074	1	Shell, Receptacle (Deutz SN 0300085617 to SN 0300096000 Only)	
	4461071	4	Socket, Female (Gold) (Deutz SN 0300085617 to SN 0300096000 Only)	
	4461073	1	Cap, Dust (Deutz SN 0300085617 to SN 0300096000 Only)	
512	4460894	1	Connector - 6 Position (Deutz & GM SN 0300085617 to SN 0300096000 Only)	
	4460892	1	Connector, Terminal (Deutz & GM SN 0300085617 to SN 0300096000 Only)	

SECTION 7 ELECTRICAL

FIGURE 7-3. HARNESS COMPONENTS INSTALLATION (WITH ADE SYSTEM) (CONTINUED)

ITEM #	PART NUMBER	QTY.	DESCRIPTION	REV.
		Ref	STANDARD HARNESS COMPONENTS	
601		1	Ford Engine Harness Options (For replacement parts refer to Ford engine dealer) (Ford Engine Machines): 2000172 & 2000174 Ford Engines 2000193 Ford Engines 2000207 Ford Engines	
	7023663			
	7023681			
	7027403			
602		AR	Deutz Engine Harness Components (SN 0300085617 to SN 0300096000) (For replacement parts refer to Deutz engine dealer)	
602A	7027796	1	Deutz Engine Harness (SN 0300085617 to SN 0300096000) (For replacement parts refer to Deutz engine dealer)	
602B	See Note	1	Connector - 25 Position (Deutz SN 0300085617 to SN 0300096000 Only) (Note: Not Available for Purchase)	
602C	7027793	1	Plug-In, Connector (SN 0300085617 to SN 0300096000)	
602D	7027794	1	Deutz Engine Harness (SN 0300085617 to SN 0300096000)	
603	See Note	1	Controller Harness Assembly (Lift and Swing) (Note: Not Available for Purchase)	
603A	7022819	1	Connector - 8 Position (Natural)	
	4460871	8	Socket, Female	
604	7022824	1	Controller Harness/Circuit Board Assembly (Drive and Steer)	
604A	7022825	1	Connector - 8 Position Black)	
	7022820	7	Socket, Female	
605	See Note	1	Pump Harness (Note: Not Available for Purchase)	
	7007497	1	Plug (Pump)	
	7007498	1	Plug (Valve Harness)	
606	4921927	1	Jib Valve Harness (460SJ Only)	
606A	4460326	1	Connector - 3 Position	
	4460267	3	Pin, Male	
606B	4460499	2	Connector, DIN with Diode	
607	See Note	AR	Limit Switch Harness Components (400S Only): (Note: Not Available for Purchase)	
607A		1	Switch, Limit Options: Prior to SN 0300074316 (was p/n 4360322) SN 0300074316 to SN 0300096000	
	Use 4360549			
	4360549			
607B		1	Connector, Strain Relief Options: Prior to SN 0300074316 (Use with p/n 4360322) SN 0300074316 to SN 0300096000 (Use with p/n 4360549)	
	4460428			
	4460968			
607C	4922769	1	Cable, Electrical - 18/2	
607D	4460226	2	Socket, Female	
608	4922714	2	Capacity/Elevation Cut-out Switch Harnesses	
	1060902	8.5ft/2.6m	Cable, Electrical - 18/2	
608A		1	Switch, Limit Options: Prior to SN 0300074316 (was p/n 4360321) SN 0300074316 to SN 0300096000	
	Use 4360548			
	4360548			
608B		1	Connector, Strain Relief Options: Prior to SN 0300074316 (Use with p/n 4360321) SN 0300074316 to SN 0300096000 (Use with p/n 4360548)	
	4460428			
	4460968			

SECTION 7 ELECTRICAL

FIGURE 7-3. HARNESS COMPONENTS INSTALLATION (WITH ADE SYSTEM) (CONTINUED)

ITEM #	PART NUMBER	QTY.	DESCRIPTION	REV.
608C	4460226	2	Socket, Female	
609	4922978	1	Start Assist Solenoid Harness (Deutz Engine Machines SN 0300077682 to SN 0300085617 Only) (Located between Start Relay & Start Assist Solenoid on Engine)	2/B
610	4923451	1	Glow Plugs Harness (Deutz Engine Machines SN 0300092802 to SN 0300096000 Only) (Not Shown - Located between Glow Plug Relay & Glow Plugs on Engine)	A
		Ref	OPTIONAL HARNESS COMPONENTS	
701			AC to Platform Receptacle Components Options:	
	0270022	Ref	110V GFI Receptacle	1
	0270024	Ref	220V GFI Receptacle	1
701A	0860038	1	Box, Switch	
701B		1	Receptacle Options:	
	4460346		110V GFI	
	4460125		220V GFI	
701C		1	Shield, Cover Options:	
	4060700		110V GFI	
	4060092		220V GFI	
701D	4460071	1	Connector, Strain Relief	
701E		2	Plug, Male Options:	
	4460205		110V GFI	
	4460233		220V GFI	
701F	3960422	1	Gasket	
702	Not Used			
703		AR	Generator Electrical Components	
	4933190		110V (Prior to SN 0300064509) (Caterpillar/Deutz/Ford Engines)	2/B
	4933238		110V (SN 0300064509 to SN 0300077682) (Caterpillar/Deutz/Ford Engines)	1/A
	4933300		110V (SN 0300077682 to SN 0300096000) (Caterpillar/Deutz/Ford Engines)	2/A
	4933350		110V (GM Engines)	A
	4933191		220V (Prior to SN 0300064509)	2/B
	4933239		220V (SN 0300064509 to SN 0300077682)	1/A
	4933300		220V (SN 0300077682 to SN 0300096000)	1/A
	3990010	1	Diode - 6 Amp (Not Shown)	
703A		1	Harness - On/Off Switch Options:	
	4922483		Prior to SN 0300064509 (Caterpillar/Deutz/Ford Engines)	
	4922641		SN 0300064509 to SN 0300096000 (Caterpillar/Deutz/Ford Engines)	
	4923445		All (GM Engines)	
703AA	4460742	1	Connector - 2 Position (GM Engines)	
	4460743	2	Socket, Female (GM Engines)	
	4460458	2	Seal, Wire (GM Engines)	
703B		1	Powermite Control Box to Relay Options:	
	4922482	1	Prior to SN 0300077682	
	4922940	1	SN 0300077682 to SN 0300096000	

SECTION 7 ELECTRICAL

FIGURE 7-3. HARNESS COMPONENTS INSTALLATION (WITH ADE SYSTEM) (CONTINUED)

ITEM #	PART NUMBER	QTY.	DESCRIPTION	REV.
703C	See Note	1	Generator to Control Box Harness Options: Hardwired (Prior to SN 0300077682) (Note: Not Available for Purchase)	
	See Note		Harness (SN 0300077682 to SN 0300096000) (Note: Not Available for Purchase)	
703D	4460961	1	Connector - 4 Position	
	4460705	4	Pin, Male	
703E	4460321	1	Connector - 4 Position	
	4460906	4	Socket, Female	
704	0255917	1	Strobe Light Harness (Includes Strobe Light)	
704A	4460320	1	Connector - 2 Position	
	4460267	2	Pin, Male	
705	0257887	1	Alarm Harness (Includes Alarm)	
705A	4460424	1	Connector - 2 Position	
	4460268	2	Socket, Female	
706	See Note	1	Lights Harness (Note: Not Available for Purchase)	
	1060341	37ft/11.3m	Cable, Electrical - 16/2	
706A	3740049	1	Relay	
		1	Harness, Bag (Located at Ground Control Box) (Not Shown) Options: Prior to SN 0300064509 SN 0300064509 to SN 0300096000	
	4922484 4922643			
707		AR	Platform Worklights/Floodlights Components	
707A		AR	Platform Worklights/Floodlights and Harness Components:	1/A
	2920140	2	Platform Worklights External Harness (Includes Light and Wire Only)	
	2920157	2	Platform Floodlights External Harness (Includes Lights and Wire Only) (Not Shown)	
	4460320	2	Connector - 2 Position	
	4460227	4	Pin, Male	
	4922764	2	Platform Floodlights Harness (Lights to Switch) (Not Shown)	
	4460424	2	Connector - 2 Position	
	4460226	4	Socket, Female	
707B		1	Connector, Strain Relief Options:	
	4460598		Platform Worklights Prior to SN 0300074316	
	4460426		Platform Worklights SN 0300074316 to SN 0300096000	
	4460425		Platform Floodlights	
707C	4360232	1	Circuit Breaker, 15Amp Options:	
	Not Required		Platform Worklights Prior to SN 0300074316	
	4360232		Platform Worklights SN 0300074316 to SN 0300096000 Platform Floodlights	
707D		1	Platform Worklights/Floodlights Console Box to Ground Harness	
	4922498		All Prior to SN 0300074316 Internal Console Box Harness	
	1060983		400S SN 0300074316 to SN 0300096000 Console Box to Aux Relay	
	4922965		460SJ SN 0300074316 to SN 0300096000 Console Box to Aux Relay	
	2400070	1	Fuse 20 AMP (Not Shown - Located Aux Relay) (SN 0300074316 to SN 0300096000 Only)	

SECTION 7 ELECTRICAL

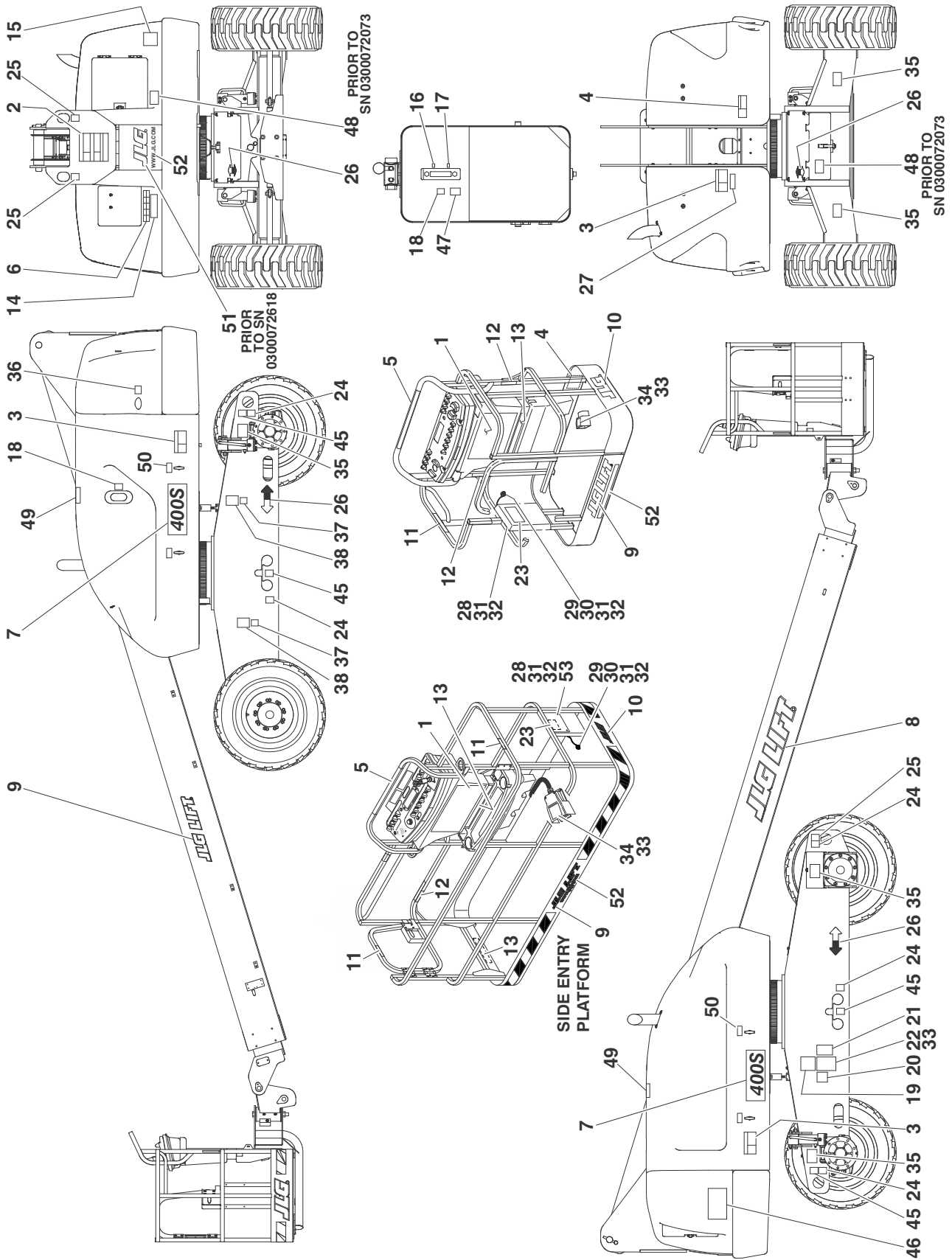
FIGURE 7-3. HARNESS COMPONENTS INSTALLATION (WITH ADE SYSTEM) (CONTINUED)

ITEM #	PART NUMBER	QTY.	DESCRIPTION	REV.
707D cont'd	2400066	1	Fuseholder (Not Shown - Located Aux Relay) (SN 0300074316 to SN 0300096000 Only)	
707E	4460871	3	Socket, Female (Prior to SN 0300074316 Only)	
708	See Note	1	Soft-Touch System Harness (Note: Not Available for Purchase)	
708A	1060902	16ft/4.9m	Cable, Electrical - 18/2	
708B	4460871	2	Socket, Female	
709	Not Required			
710	See Note	1	Dual Fuel Shut-Off Filter Harness (Note: Not Available for Purchase)	
710A	7023679	1	Electrical Connector Kit (Includes [1] 2 Position Connector, 2 Pins & 2 Seals)	
		Ref	TOOLS	
801	7002821	1	Crimper (For Wire to Pin/Socket Connections)	
802	7002823	1	Extractor (For Removal of Pin/Socket from Connectors)	
803	4460467	1	Extractor, Pin (Blue 16-18 Gauge) (For Removal of Pin/Socket from Connectors)	
	4460510	1	Extractor, Pin (Yellow 12-14 Gauge) (For Removal of Pin/Socket from Connectors)	
804	7002828	1	Stripper, Wire	
805	2901443	1	Analyzer Kit (Not Shown)	

SECTION 8 DECALS

SECTION 8 DECALS

FIGURE 8-1. DECAL INSTALLATION (ANSI SPEC)



SECTION 8 DECALS

FIGURE 8-1. DECAL INSTALLATION (ANSI SPEC)

ITEM #	PART NUMBER	QTY.	DESCRIPTION	REV.
		Ref	STANDARD DECAL INSTALLATIONS	
	0270398	Ref	Decals JLG	4
	0259159	Ref	Model 400S with 500LB Capacity	13
	0259981	Ref	Model 400S with 750LB Capacity	11
	0259160	Ref	Model 460SJ	12
1	1703797	1	Decal - Danger/Warning (Platform)	
2	1703798	1	Decal - Danger/Warning (Ground Control)	
3	1703805	2	Decal - Danger/Electrocution	
4	1703804	3	Decal - Warning Crushing	
5		1	Decal - Legend (Platform) Options:	
	1702784		Prior to SN 0300093233	
	1706708		SN 0300093233 to SN 0300096000	
6		1	Decal - Legend (Ground Control) Options:	
	1703808		Prior to SN 0300093233	
	1706709		SN 0300093233 to SN 0300096000	
7		2	Decal - Model Designation Options:	
	1704472		Model 400S	
	1704473		Model 460SJ	
8	1702861	AR	Decal - JLG Lift (8in)	
		1	Prior to SN 0300069278	
		2	SN 0300069278 to SN 0300096000	
9	1702774	AR	Decal - JLG Lift (3.5in)	
		2	Prior to SN 0300069278	
		1	SN 0300069278 to SN 0300096000	
10	1702773	AR	Decal - JLG (5in)	
		2	Front Entry Platform	
		1	Side Entry Platform	
11	1702868	2	Decal - No Hands	
12	1704277	3	Decal - Attach Lanyard Here	
13		2	Decal - Capacity (Platform) Options:	
	1704096		400S with 500 Lbs. Maximum Capacity	
	1704488		400S with 750 Lbs. Maximum Capacity	
	1701645		460SJ	
14		1	Decal - Capacity (Ground Control) Options:	
	1704104		400S with 500 Lbs. Maximum Capacity	
	1704489		400S with 750 Lbs. Maximum Capacity	
	1702688		460SJ	
15	3251813	1	Decal - USA	
16	1701502	1	Decal - High Oil Level	
17	1701503	1	Decal - Low Oil Level	
18	1701504	2	Decal - Hydraulic Oil	
19	1702153	1	Decal - Inspection	
20	See Note	1	Decal - Bar Code (Note: Not Available for Purchase)	
21	1700584	1	Decal - Patent	
22	See Note	1	Nameplate - Serial Number (Note: Not Available for Purchase)	
23	1701509	1	Decal - Manual	
24	1702300	6	Decal - Tie Down	

SECTION 8 DECALS

FIGURE 8-1. DECAL INSTALLATION (ANSI SPEC) (CONTINUED)

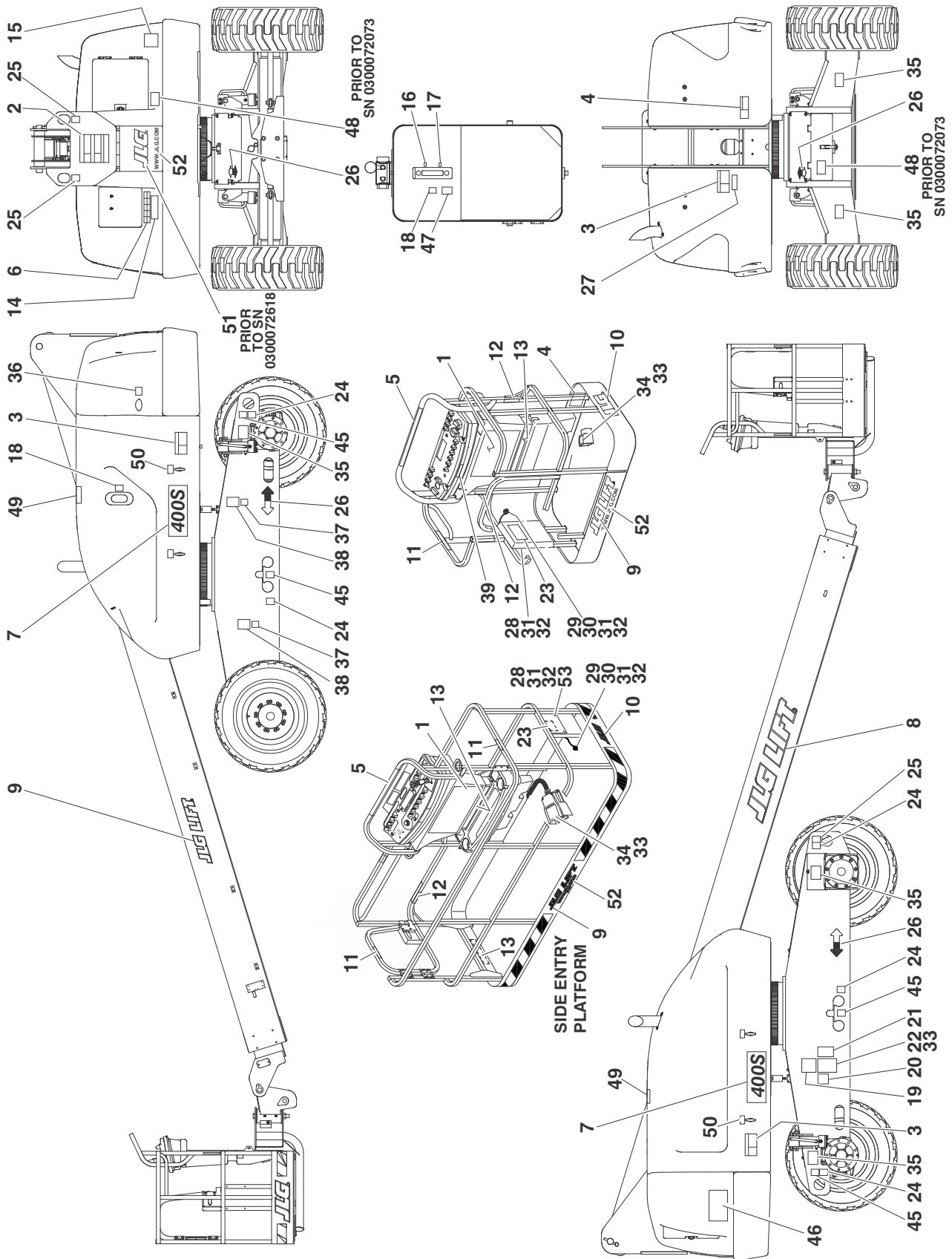
ITEM #	PART NUMBER	QTY.	DESCRIPTION	REV.
25	1701500	4	Decal - Lift	
26	1701529	4	Decal - Arrow	
27	3251243	1	Nameplate - 120V-60Hz	
28	0860520	1	Box, Manual Storage	
29	1060279	1	Cable, Lanyard	
30	0641408	1	Bolt 1/4in-20NC x 1in	
31	4751400	6	Flatwasher 1/4in Regular	
32	3311405	1	Locknut 1/4in-20NC	
33	3820001	AR	Rivet	
34	3252347	1	Decal - Footswitch (Part of 4360031 Footswitch)	
35		4	Decal - Maximum Tire Load Options:	
	Use 1706126		Model 400S with 500LB Capacity (was p/n 1704827 Prior to SN 0300077958)	
	1704828		Model 400S with 750LB Capacity	
	1704829		Model 460SJ	
36		1	Decal - Fuel	
	1701542		GM Engine Machines	
	1701505		Caterpillar & Deutz Engine Machines	
37		AR	Decal - LPG Gas	
	Not Required	0	Non-Dual Fuel Machines	
	1701543	1	Dual Fuel Machines	
38		AR	Decal - LP Gas Liquid Withdrawal System	
	Not Required	0	Non-Dual Fuel Machines	
	1700818	1	Dual Fuel Machines	
39 to 44	Not Used			
45	1701499	4	Decal - No Lift	
46	3252672	1	Decal - Lift Diagram	
47	1704412	1	Decal - Hydraulic Oil Chart	
48	1704540	AR	Decal - Storage Capacity (Prior to SN 0300072073Only)	
49	1701691	4	Decal - No Step	
50	1704726	4	Decal - Lock Latch	
51	1704825	1	Decal - JLG (Prior to SN 0300072618 Only)	
52	1704885	2	Decal - WWW.JLG.COM	
53	0641406	4	Bolt 1/4in-20NC x 3/4in	

FIGURE 8-1. DECAL INSTALLATION (ANSI SPEC) (CONTINUED)

ITEM #	PART NUMBER	QTY.	DESCRIPTION	REV.

SECTION 8 DECALS

FIGURE 8-2. DECAL INSTALLATION (COUNTRY SPEC)



SECTION 8 DECALS

FIGURE 8-2. DECAL INSTALLATION (COUNTRY SPEC)

ITEM #	PART NUMBER	QTY.	DESCRIPTION	REV.
		Ref	DECAL INSTALLATIONS	
	0270398	Ref	Decals JLG	4
		Ref	Model 400S with 500LB Capacity	
	0259185	Ref	Brazilian Spec (Dual Language - Portuguese/Spanish)	13
	0259183	Ref	Chinese Spec (Dual Language - Chinese/ English)	16
	0259181	Ref	CSA Spec (Dual Language - English/French)	15
	0259175	Ref	Japanese Spec	16
	0259177	Ref	Korean Spec	16
	0259179	Ref	Latin American Spec (Dual Language - English/Spanish)	13
			Model 400S with 750LB Capacity	
	0259994	Ref	Brazilian Spec (Dual Language - Portuguese/Spanish)	11
	0259993	Ref	Chinese Spec (Dual Language - Chinese/ English)	13
	0259992	Ref	CSA Spec (Dual Language - English/French)	13
	0259989	Ref	Japanese Spec	13
	0259990	Ref	Korean Spec	13
	0259991	Ref	Latin American Spec (Dual Language - English/Spanish)	11
			Model 460SJ	
	0259186	Ref	Brazilian Spec (Dual Language - Portuguese/Spanish)	13
	0259184	Ref	Chinese Spec (Dual Language - Chinese/ English)	14
	0259182	Ref	CSA Spec (Dual Language - English/French)	14
	0259176	Ref	Japanese Spec	13
	0259178	Ref	Korean Spec	13
	0259180	Ref	Latin American Spec (Dual Language - English/Spanish)	12
1		1	Decal - Danger/Warning (Platform) Options:	
	1703928		Brazilian Spec	
	1703925		Chinese Spec	
	1703924		CSA Spec	
	1703926		Japanese Spec	
	1703927		Korean Spec	
	1703923		Latin American Spec	
2		1	Decal - Danger/Warning (Ground Control) Options	
	1703934		Brazilian Spec	
	1703931		Chinese Spec	
	1703930		CSA Spec	
	1703932		Japanese Spec	
	1703933		Korean Spec	
	1703929		Latin American Spec	
3		2	Decal - Danger/Electrocution Options:	
	1703940		Brazilian Spec	
	1703937		Chinese Spec	
	1703936		CSA Spec	
	1703938		Japanese Spec	
	1703939		Korean Spec	
	1703935		Latin American Spec	
4		3	Decal - Warning Crushing Options:	
	1703952		Brazilian Spec	
	1703949		Chinese Spec	
	1703948		CSA Spec	

SECTION 8 DECALS

FIGURE 8-2. DECAL INSTALLATION (COUNTRY SPEC) (CONTINUED)

ITEM #	PART NUMBER	QTY.	DESCRIPTION	REV.
4 (cont'd)	1703950		Japanese Spec	
	1703951		Korean Spec	
	1703947		Latin American Spec	
5		AR	Decal - Legend (Platform) Options:	
	Not Required	0	Brazilian/Chinese/Japanese/Korean Spec Prior to SN 0300093233	
	Use 1706708	1	CSA/Latin American Spec Prior to SN 0300093233 (was p/n 1702784)	
	1706708	1	All Specs SN 0300093233 to SN 0300096000	
6		AR	Decal - Legend (Ground Control) Options:	
	Not Required	0	Brazilian/Chinese/Japanese/Korean Spec Prior to SN 0300093233	
	Use 1706709	1	CSA/Latin American Spec Prior to SN 0300093233 (was p/n 1703808)	
	1706709	1	All Specs SN 0300093233 to SN 0300096000	
7		2	Decal - Model Designation Options:	
	1704472		Model 400S	
	1704473		Model 460SJ	
8	1702861	AR	Decal - JLG Lift (8in)	
		1	Prior to SN 0300069278	
		2	SN 0300069278 to SN 0300096000	
9	1702774	AR	Decal - JLG Lift (3.5in)	
		2	Prior to SN 0300069278	
		1	SN 0300069278 to SN 0300096000	
10	1702773	AR	Decal - JLG (5in)	
		2	Front Entry Platform	
		1	Side Entry Platform	
11		AR	Decal - No Hands Options:	
	1704002	2	Brazilian Spec	
	Not Required	0	Chinese/Japanese/Korean Specs	
	1704000	2	CSA Spec	
12	1704001	2	Latin American Spec	
		AR	Decal - Attach Lanyard Here Options:	
	1704005	3	Brazilian Spec	
	1704003	3	CSA Spec	
	1704277	3	Chinese/Japanese/Korean Spec	
13	1704004	3	Latin American Spec	
		AR	Decal - Capacity (Platform) Options:	
		AR	230kg/500lb Maximum Capacity Options:	
	1703996	1	Brazilian Spec - 400S (Prior to SN 0300064771)	
	1704100	2	Brazilian Spec - 400S (SN 0300064771 to SN 0300096000)	
	1703996	2	Brazilian Spec - 460SJ	
	1703996	1	Chinese Spec - 400S (Prior to SN 0300064771)	
	1704101	2	Chinese Spec - 400S (SN 0300064771 to SN 0300096000)	
	1703996	2	Chinese Spec - 460SJ	
	1703996	1	CSA Spec - 400S (Prior to SN 0300063268)	
1704099	2	CSA Spec - 400S (SN 0300063268 to SN 0300096000)		
	1703996	2	CSA Spec - 460SJ	

SECTION 8 DECALS

FIGURE 8-2. DECAL INSTALLATION (COUNTRY SPEC) (CONTINUED)

ITEM #	PART NUMBER	QTY.	DESCRIPTION	REV.	
13 (cont'd)	1703996	1	Japanese Spec - 400S (Prior to SN 0300064771)		
	1704102	2	Japanese Spec - 400S (SN 0300064771 to SN 0300096000)		
	Continued	AR	230kg/500lb Maximum Capacity Options:		
	1703996	1	Japanese Spec - 460SJ		
	1703996	1	Korean Spec - 400S (Prior to SN 0300064771)		
	1704103	2	Korean Spec - 400S (SN 0300064771 to SN 0300096000)		
	1703996	1	Korean Spec - 460SJ		
	1702688	1	Latin American Spec - 400S (Prior to SN 0300064771)		
	1704098	2	Latin American Spec - 400S (SN 0300064771 to SN 0300096000)		
	1701645	2	Latin American Spec - 460SJ		
		AR	340kg/750lb Maximum Capacity Options:		
	1704233	1	Brazilian Spec - 400S (Prior to SN 0300064771)		
	1705070	2	Brazilian Spec - 400S (SN 0300064771 to SN 0300096000)		
	1704233	1	Chinese Spec - 400S (Prior to SN 0300064771)		
	1705069	2	Chinese Spec - 400S (SN 0300064771 to SN 0300096000)		
	1704233	1	CSA Spec - 400S (Prior to SN 0300063268)		
	1705068	2	CSA Spec - 400S (SN 0300063268 to SN 0300096000)		
	1704233	1	Japanese Spec - 400S (Prior to SN 0300064771)		
	1705065	2	Japanese Spec - 400S (SN 0300064771 to SN 0300096000)		
	1704233	1	Korean Spec - 400S (Prior to SN 0300064771)		
	1705066	2	Korean Spec - 400S (SN 0300064771 to SN 0300096000)		
	1704233	1	Latin American Spec - 400S (Prior to SN 0300064771)		
	1705067	2	Latin American Spec - 400S (SN 0300064771 to SN 0300096000)		
	14		AR	Decal - Capacity (Ground Control) Options:	
			AR	230kg/500lb Maximum Capacity Options:	
		1702688	1	Brazilian Spec - 400S (Prior to SN 0300064771)	
		1704108	1	Brazilian Spec - 400S (SN 0300064771 to SN 0300096000)	
1702688		1	Brazilian Spec - 460SJ (Prior to SN 0300064771)		
1704112		1	Brazilian Spec - 460SJ (SN 0300064771 to SN 0300096000)		
1704109		1	Chinese Spec - 400S (SN 0300064771 to SN 0300096000)		
Not Required		0	Chinese Spec - 460SJ		
1704112		1	CSA Spec - 400S (Prior to SN 0300063268)		
1704107		1	CSA Spec - 400S (SN 0300063268 to SN 0300096000)		
1704112		1	CSA Spec - 460SJ		
1704110		1	Japanese Spec - 400S		
Not Required		0	Japanese Spec - 460SJ		
1704111		1	Korean Spec - 400S (SN 0300064771 to SN 0300096000)		
Not Required		0	Korean Spec - 460SJ		
1702688	1	Latin American Spec - 400S (Prior to SN 0300064771)			

SECTION 8 DECALS

FIGURE 8-2. DECAL INSTALLATION (COUNTRY SPEC) (CONTINUED)

ITEM #	PART NUMBER	QTY.	DESCRIPTION	REV.
14 (cont'd)	1704106	1	Latin American Spec - 400S (SN 0300064771 to SN 0300096000)	
	1702688	1	Latin American Spec - 460SJ	
		1	340kg/750lb Maximum Capacity Options:	
	1704510		Brazilian Spec - 400S (Prior to SN 0300064771)	
	1705076		Brazilian Spec - 400S (SN 0300064771 to SN 0300096000)	
	1705075		Chinese Spec - 400S (SN 0300064771 to SN 0300096000)	
	1704510		CSA Spec - 400S (Prior to SN 0300063268)	
	1705074		CSA Spec - 400S (SN 0300063268 to SN 0300096000)	
	1705071		Japanese Spec - 400S (SN 0300064771 to SN 0300096000)	
	1705072		Korean Spec - 400S (SN 0300064771 to SN 0300096000)	
	1704510		Latin American Spec - 400S (Prior to SN 0300064771)	
1705073		Latin American Spec - 400S (SN 0300064771 to SN 0300096000)		
15		AR	Decal - USA Options:	
	3251813	1	Brazilian/CSA/Latin American Specs	
	Not Required	0	Chinese/Japanese/Korean Specs	
16	1701502	1	Decal - High Oil Level	
17	1701503	1	Decal - Low Oil Level	
18	1701504	2	Decal - Hydraulic Oil	
19		AR	Decal - Inspection Options:	
	1704008	1	Brazilian Spec	
	Not Required	0	Chinese Spec	
	1704006	1	CSA Spec	
	Not Required	0	Japanese Spec	
	Not Required	0	Korean Spec	
	1704007	1	Latin American Spec	
20	See Note	1	Decal - Bar Code (Note: Not Available for Purchase)	
21	1700584	1	Decal - Patent	
22	See Note	1	Nameplate - Serial Number (Note: Not Available for Purchase)	
23	1701509	1	Decal - Manual	
24	1702300	6	Decal - Tie Down	
25	1701500	4	Decal - Lift	
26	1701529	4	Decal - Arrow	
27		AR	Nameplate - 120V-60Hz Options:	
	3251243	1	Brazilian/CSA/Latin American Specs	
	Not Required	0	Chinese/Japanese/Korean Specs	
28	0860520	1	Box, Manual Storage	
29	1060279	1	Cable, Lanyard	
30	0641408	1	Bolt 1/4in-20NC x 1in	
31	4751400	6	Flatwasher 1/4in Regular	
32	3311405	1	Locknut 1/4in-20NC	
33	3820001	AR	Rivet	

SECTION 8 DECALS

FIGURE 8-2. DECAL INSTALLATION (COUNTRY SPEC) (CONTINUED)

ITEM #	PART NUMBER	QTY.	DESCRIPTION	REV.
34	1703985 1703982 1703984 1703980 1703981 1703983	1	Decal - Footswitch Options: Brazilian Spec Chinese Spec CSA Spec Japanese Spec Korean Spec Latin American Spec	
35	Not Required Use 1706126 1704829 1704828	4	Decal - Maximum Tire Load Options: Brazilian/Latin American Specs Chinese/CSA/Japanese/Korean Spec Options: 400S Models with 500LB Capacity (was p/n 1704827 Prior to SN 0300077958) 400S Models with 750LB Capacity 460SJ Models	
36	1701542 1701505	1	Decal - Fuel GM Engine Machines Caterpillar & Deutz Engine Machines	
37	Not Required 1701543	AR 0 1	Decal - LPG Gas Non-Dual Fuel Machines Dual Fuel Machines	
38	Not Required 1700818 1704271 1702720	AR 0 1 1 1	Decal - LP Gas Liquid Withdrawal System Non-Dual Fuel Machines Dual Fuel Machines (English Language) Dual Fuel Machines (CSA Spec) Dual Fuel Machines (Spanish Language)	
39	3252221 Not Required	AR 1 0	Decal - CSA Options: CSA Specs Brazilian/Chinese/Japanese/Korean/Latin American Specs	
40 to 44	Not Used			
45	1701499	4	Decal - No Lift	
46	3252685 3252684 3252683 3252680 3252681 3252682	1	Decal - Lift Diagram Brazilian Spec Chinese Spec CSA Spec Japanese Spec Korean Spec Latin American Spec	
47	1704412	1	Decal - Hydraulic Oil Chart	
48	1704540	AR	Decal - Storage Capacity (Prior to SN 0300072073 Only)	
49	1701691	4	Decal - No Step	
50	1704726	4	Decal - Lock Latch	
51	1704825	1	Decal - JLG (CTW) (Prior to SN 0300072618 Only)	
52	1704885	2	Decal - WWW.JLG.COM	
53	0641406	4	Bolt 1/4in-20NC x 3/4in (SN 0300072618 to SN 0300096000)	

SECTION 8 DECALS

FIGURE 8-2. DECAL INSTALLATION (COUNTRY SPEC) (CONTINUED)

ITEM #	PART NUMBER	QTY.	DESCRIPTION	REV.

SECTION 9 RECOMMENDED SERVICE PARTS STOCK

MODEL 400S/460SJ

The following list will service one machine (built to current production per date on the front cover) with emergency repair parts which can be installed in the field. Parts from the list should be replaced when inventory is depleted to keep service parts stock supplied. For further information, contact your JLG dealer or the JLG Industries Parts Department.

Part Number	Description	Qty./Machine
STANDARD PARTS		Ref
2120210	Element, Filter (Figure 2-1)	4
7012944	Coil (Figures 2-1 & 2-2)	1
7012943	Coil (Figure 2-1)	1
7021376	Coil (Figure 2-2)	1
7018991	Coil (Figure 2-2)	1
7012772	Coil (Figures 2-2 & 2-3)	1
7012664	Element, Air Cleaner (Figures 2-8, 2-11, 2-14, 2-18 & 2-20)	4
3740067	Relay (Figures 2-8, 2-11, 2-14, 2-18 & 2-20)	1
7023205	Filter (Figure 2-25)	4
4360475	Switch, Mushroom (Figures 2-27 & 4-6)	1
4360469	Switch, Key (Figure 2-27)	1
2860030	Key, Replacement (Figure 2-27)	1
4360328	Switch, Toggle (Figures 2-27 & 4-6)	1
4360476	Contact, Switch Block (Figures 2-27 & 4-6)	1
2940074	Latch (Figure 4-2)	1
1001129555	Controller (Lift and Swing) (Figure 4-6)	1
1001118416	Controller (Drive and Steer) (Figure 4-6)	1
4360387	Switch, Push Button (Figures 2-27 & 4-6)	1
4360407	Controller, Speed (Figure 4-6)	1
4360331	Switch, Toggle (Figure 4-6)	1
4360232	Breaker, Circuit (Figure 4-6)	1
7022818	Potentiometer (Figure 4-8)	1
7022824	PC Board Assembly (Figure 4-10)	1
7019166	Microswitch (Figure 4-10)	1
3990010	Diode (Figure 7-3)	2
VARIABLE PARTS		Ref
70001403	Filter, Oil (Caterpillar Engine Machines) (Figure 2-8)	1 Dozen
7026871	Filter, Fuel (Caterpillar Engine Machines) (Figure 2-8)	4
70001990	Solenoid, Shutdown (Caterpillar Engine Machines) (Figure 2-8)	1
7016331	Filter, Oil (Deutz Engine Machines) (Figure 2-11)	1 Dozen
7020023	Filter, Fuel (Deutz Engine Machines) (Figure 2-11)	4
7027245	Filter, Fuel (Deutz Engine Machines) (Figure 2-11)	4
7027239	Solenoid, Shutdown (Deutz Engine Machines) (Figure 2-11)	1
7027795	Module, Deutz EMR2 (Deutz Engine Machines) (Figure 2-11)	1
3740080	Relay (Caterpillar & Ford Machines) (Figure 2-8 & 2-14)	1
7014501	Filter, Oil (Ford Engine Machines) (Figure 2-14)	1 Dozen
7022135	Filter, Fuel (Ford Engine Machines) (Figures 2-14)	4
7027965	Filter, Oil (GM Engine Machines) (Figure 2-18)	1 Dozen
7027972	Filter, Fuel (GM Engine Machines) (Figures 2-18)	4
7022111	Filter, Oil (Isuzu Engine Machines) (Figure 2-20)	1 Dozen
7022113	Filter, Fuel (Isuzu Engine Machines) (Figure 2-20)	4

SECTION 9 RECOMMENDED SERVICE PARTS STOCK

MODEL 400S/460SJ

The following list will service one machine (built to current production per date on the front cover) with emergency repair parts which can be installed in the field. Parts from the list should be replaced when inventory is depleted to keep service parts stock supplied. For further information, contact your JLG dealer or the JLG Industries Parts Department.

Part Number	Description	Qty./Machine
4360501	Breaker, Circuit (Isuzu Engine Machines) (Figure 2-20)	1
3740080	Relay (Machines with Generator Option) (Figures 2-9, 2-12, 2-17, 2-19 & 2-21)	1
4360336	Switch, Toggle (Machines with Generator Option) (Figures 2-9, 2-12, 2-17, 2-18 & 2-21)	1
1600364	Module, Controller (Ground Control) (Caterpillar & Ford Engines) (Figure 2-27)	1
1600411	Module, Controller (Ground Control) (Deutz & GM) (Figure 2-27)	1
4360548	Switch, Limit (Figures 2-28 & 7-3)	1
4360549	Switch, Limit (Figures 2-28 & 7-3)	1
1600375	Module, Controller (Platform Control) (Figure 4-6)	1
4360336	Switch, Toggle (Ford Dual Fuel Machines) (Figure 4-6)	1
2400061	Fuse (Ford Engine Machines) (Figure 7-3)	2

SECTION 10 SPECIAL OPTIONS

SECTION 10 SPECIAL OPTIONS

FIGURE 10-1. SPECIAL OPTIONS LIST

ITEM #	PART NUMBER	QTY.	DESCRIPTION	REV.
		Ref	Note: This list is to accommodate machines ordered with special equipment. Options may not be applicable to all models. For more specific parts information contact JLG Parts Department.	
		Ref	MISCELLANEOUS SPECIAL OPTIONS	
	1340061	Ref	Air Cleaner with Dust Evacuator Valve	
	0271239	Ref	Air Line at Platform Installation - 400S	
	0271445	Ref	Air Line at Platform Installation - 460SJ	
		Ref	Bellows Installations	
	0259194	Ref	400S with Oscillating Axle	
	0259193	Ref	400S with Fixed Axle	
	0259196	Ref	460SJ with Oscillating Axle	
	0259195	Ref	4560SJ with Fixed Axle	
	0259197	Ref	Boom Wiper Installation	
		Ref	Cold Weather Start Kits	
	0273064	Ref	Caterpillar Engine Machines	
	0270646	Ref	Deutz Engine Machines (Ether) (Prior to SN 0300085617 Only)	
	0270647	Ref	Deutz Engine Machines (Glow Plugs) (Prior to SN 0300064404)	
	0271912	Ref	Deutz Engine Machines - ADE System (SN 0300064404 to SN 0300085617)	
	0270670	Ref	Ford Engine Machines	
	0275056	Ref	GM Engine Machines	
	0258999	Ref	Isuzu Engine Machines	
		Ref	Decal Installations	
	1702788	1	Decal - Biodegradable Hydraulic Fluid (All except German Spec)	
	1704174	1	Decal - Biodegradable Synthetic Hydraulic Fluid (All except German Spec)	
	1703479	1	Decal - Biodegradable Hydraulic Fluid (German Spec Only)	
	1704175	1	Decal - Biodegradable Synthetic Hydraulic Fluid (German Spec Only)	
	0257195	Ref	Decal - Government Warranty Installation	
	1704150	1	Decal - Glow Plug Warning	
	0273250	Ref	Decal - Hertz	
	0274529	Ref	Decal - Head & Engquist Equipment L.L.C (H&E)	
	1703175	1	Decal - Lanyard Attach (GM K-1 Spec)	
	0273370	Ref	Decal - Nations Rent	
	0274247	Ref	Decal - National Equipment Services (NES)	
	1702868	2	Decal - No Hands (English Language) (Used with Mesh to Top Rail Platform)	
	1704000	2	Decal - No Hands (English& French Dual Language) (Used with Mesh to Top Rail Platform)	
	1702962	1	Decal - Prop 65 Warning (Diesel Machines) (California Spec)	

SECTION 10 SPECIAL OPTIONS

FIGURE 10-1. SPECIAL OPTIONS LIST (CONTINUED)

ITEM #	PART NUMBER	QTY.	DESCRIPTION	REV.
	Continued	Ref	Decal Installations	
	1702961	1	Decal - Prop 65 Warning (Gasoline Machines) (California Spec)	
	0273710	Ref	Decal - SkyAir	
	0272599	Ref	Decal - SkyCutter	
	0272418	Ref	Decal - SkyGlazier (400S Only)	
		Ref	Decal - SkyPower Options:	
	0272435	Ref	ANSI Spec	
	0272589	Ref	ANSI Export Spec	
		Ref	Decal - SkyWelder Options:	
	0272448	Ref	ANSI Spec	
	0272588	Ref	ANSI Export Spec	
	0270575	Ref	Decal - Sunbelt	
	0270574	Ref	Decal - United Rentals (Prior to SN 0300069278)	
	0271892	Ref	Decal - United Rentals (SN 0300069278 to SN 0300096000)	
	0257733	Ref	Decal - Warning Stripes	
	2902393	Ref	Drive/Steer Cutout Kit	
		Ref	Electrical Connector Kits	
	1001148902	Ref	Amp/Tyco Electrical Connector Kit	
	1001148903	Ref	Deutsch DT Electrical Connector Kit	
	1001148904	Ref	Deutsch HD Electrical Connector Kit	
	1001148905	Ref	Packard Electrical Connector Kit	
	1001148906	Ref	Various Electrical Connectors Kit	
		Ref	Engine Block Heater Installation	
	0258922	Ref	Ford Engines	
	0275055	Ref	GM Engines	
	0270649	Ref	Ether Start Installation (Deutz Engine Machines) (Prior to SN 0300085617 Only)	
		Ref	Filter Kits:	
		1	Combined Filter Kit (Hydraulic/Air & Fuel/Engine Oil) Prior to SN 0300087630	
	1001110998		Caterpillar Engine (was p/n 1001114035)	
	1001110997		Deutz Engine (was p/n 2910495 & p/n 1001114129)	
	1001114131		GM Engine (was p/n 1001114059)	
	2910949		Ford Engine (was p/n 2910496 & p/n 1001114126)	
			SN 0300087630 to SN 0300096000	
	1001111000		Caterpillar Engine (was p/n 1001114034)	
	1001110999		Deutz Engine (was p/n 1001114128)	

SECTION 10 SPECIAL OPTIONS

FIGURE 10-1. SPECIAL OPTIONS LIST (CONTINUED)

ITEM #	PART NUMBER	QTY.	DESCRIPTION	REV.
	Continued	Ref	Filter Kits:	
		1	Hydraulic/Air Filter	
			Prior to SN 0300087630	
	1001109694		Caterpillar/Deutz Engines (was p/n 1001114060 & p/n 1001114120)	
	1001109694		Ford Engine (was p/n 1001114120)	
			SN 0300087630 to SN 0300096000	
	1001109698		Caterpillar/Deutz Engines (was p/n 1001114061 & p/n 1001114121)	
	1001114125		Ford Engine (was p/n 1001114119 & p/n 1001114137)	
		1	Engine - Fuel/Engine Oil Filter	
	1001110139		Caterpillar Engine	
	1001110138		Deutz Engine	
		Ref	Footswitch Shield Installation	
	4060959	1	Shield, Footswitch (Prior to SN 0300091439)	
	3380652	1	Shield, Footswitch (SN 0300091439 to SN 0300096000)	
		Ref	Glow Plug Installations (Deutz Engine Machines)	
	0270648	Ref	Glow Plug Installation (Prior to SN 0300064404)	
	0271548	Ref	Glow Plug Installation - ADE System (SN 0300064404 to SN 0300085617)	
		Ref	Hydraulic Fluids Options:	
	2300014	Ref	Mobil 424	
	2300027	Ref	Mobil 224H Bio	
	2300029	Ref	Mobil EAL ISO 46 Bio	
	2300016	Ref	Mobil DTE 13M	
	2300019	Ref	Quaker State Quintolubric 888-46 Fire Res.	
		Ref	Hydraulic Welder Assemblies	
	0270044	1	225A - 400S (Prior to SN 0300064404)	
	0271579	1	200A - 400S (Prior to SN 0300064404)	
	0271358	1	225A - 400S - ADE System (SN 0300064404 to SN 0300064509)	
	0272025	1	225A - 400S - ADE System (SN 0300064509 to SN 0300096000)	
	0270361	1	225A - 460SJ (Prior to SN 0300064404)	
	0271580	1	200A - 460SJ (Prior to SN 0300064404)	
	0271359	1	225A - 460SJ - ADE System (SN 0300064404 to SN 0300064509)	
	0272024	1	225A - 460SJ - ADE System (SN 0300064509 to SN 0300096000)	
		Ref	Hydraulic Oil Cooler Installations	
	0256765	1	Deutz (Prior to SN 0300063791)	
	0256778	1	Ford (Prior to SN 0300063791)	
	0271607	1	Ford/Deutz (SN 0300063791 to SN 0300096000)	

SECTION 10 SPECIAL OPTIONS

FIGURE 10-1. SPECIAL OPTIONS LIST (CONTINUED)

ITEM #	PART NUMBER	QTY.	DESCRIPTION	REV.
	1001148971	Ref	Lanyard (Bolt-On) Kit Installation	
		Ref	Lift Companion Components	
		Ref	Data Recorder Installations:	
	0258584	Ref	Lift Companion 5	
	0258585	Ref	Lift Companion 6	
	2901662	Ref	Start up Kit	
		Ref	Collection Box Kits:	
	2901659	Ref	All Specs except Latin American	
	2901663	Ref	Latin American Spec	
		Ref	Platform Cover Installations	
	0258703	Ref	Clear Plastic Construction	
	1670870	1	Cover	
		Ref	Steel Construction Options:	
	0258981	Ref	Prior to SN 0300065099	
	0271675	Ref	SN 0300065099 to SN 0300096000	
		1	Cover Weldment Options:	
	4845950		Prior to SN 0300065099	
	4846506		SN 0300065099 to SN 0300096000	
	1670894	1	Cover, Rubber	
		Ref	Platform Entry Kit	
	1001142504	Ref	Kit, Replace Swing Gate with Drop Bar	
	1001142505	Ref	Kit, Replace Drop Bar with Swing Gate	
		Ref	Platform Mesh Installations (Side Entry Platforms)	
	0273145	Ref	36in X 8ft (91.5cm x 2.44m)	
	0273148	Ref	30in X 6ft (76cm x 1.83m)	
	0273149	Ref	36in X 6ft (91.5cm x 1.83m)	
	0273146	Ref	30in X 5ft (76cm x 1.52m)	
	0273147	Ref	30in X 4ft (76cm x 1.22m)	
	1001149730	Ref	Platform Mid Rail Repair Kit	
		Ref	Platform Rail Extension Installations	
	0271603	Ref	30in x 6ft Platforms (Front Entry Platform)	
	0272733	Ref	36in x 6ft Platforms (Side Entry Platform)	
	0272725	Ref	36in x 8ft Platforms (Side Entry Platform)	
	0257728	Ref	Platform Tubing Rack Installations	
	0258918	Ref	Platform Utility Rack Assembly (Michigan OSHA Spec)	
	0861575	Ref	Proportional Valve Drive Installation (SN 0300069278 to SN 0300096000)	
	1600344	2	Controller	
	4922829	1	Harness, Feed Back	

SECTION 10 SPECIAL OPTIONS

FIGURE 10-1. SPECIAL OPTIONS LIST (CONTINUED)

ITEM #	PART NUMBER	QTY.	DESCRIPTION	REV.
		Ref	Sky Accessory:	
		Ref	Note: For Breakdown of Sky Accessories Refer to Accessory Manual p/n 3124242	
	0273512	Ref	SkyAir Compressor	
	0272590	Ref	SkyCutter Plasma Cutter	
	0273353	Ref	SkyCutter/SkyWelder Combination	
		Ref	SkyGlazier Options (400S Only):	
	0272395	Ref	ANSI Spec	
	0272387	Ref	Latin American Spec	
	0272955	Ref	Brazilian Spec	
		Ref	SkyGuard Component Options:	
	1001149560	Ref	SkyGuard Complete Add-On Kit (Non-UGM Machines)	
	Continued	Ref		
	1001137672	Ref	Sky Accessory: SkyGuard Platform Sensor Kit	
	1001143256	Ref	SkyGuard Blue Beacon Kit	
		Ref	SkyPower - 7500W Options:	
	0273003	Ref	60Hz (ANSI Spec - Caterpillar Engine)	
	0273004	Ref	50Hz (ANSI Export Spec - Caterpillar Engine)	
	0272597	Ref	60Hz (ANSI Spec - Deutz Engine)	
	0272596	Ref	50Hz (ANSI Export Spec - Deutz Engine)	
	0273005	Ref	60Hz (ANSI Spec - Ford Engine)	
	0275057	Ref	60Hz (ANSI Spec - Ford Engine)	
	0272254	Ref	SkyWelder 250A (SN 0300068333 to SN 0300096000)	
		Ref	Tire Sealant Installations	
	0272307	Ref	12 x 16.5	
	0272301	Ref	14 x 17.5	
		Ref	Tools for Service	
	2901443	1	Analyzer Kit (SN 0300064404 to SN 0300096000)	
	8896941	1	Wire Stripper	
	7002821	1	Wire Crimper (To install wire ends to wires)	
	7002823	1	Pin/Socket Extractor - Universal (To Remove Pins/Sockets from Connectors)	
	4460467	1	Extractor - 16-18 Gauge (For Removal of Pin/Sockets from Deutsch Connectors)	
	4460510	1	Extractor - 12-14 Gauge (For Removal of Pin/Sockets from Deutsch Connectors)	
	7002822	1	Screwdriver, Potentiometer (To Adjust Drive Controllers)	
	7016654	1	Screwdriver, Magnetic	
	7004275	1	Seal Installation Tool - 1in	
	7004276	1	Seal Installation Tool - 1-1/2in	
	7002826	1	Seal Installation Tool - 2in	
	7016655	1	Wire Rope Sheave Gauge	
	4922012	1	Horsepower Card Service Harness	
	0257728	Ref	Tube Rack Installation	

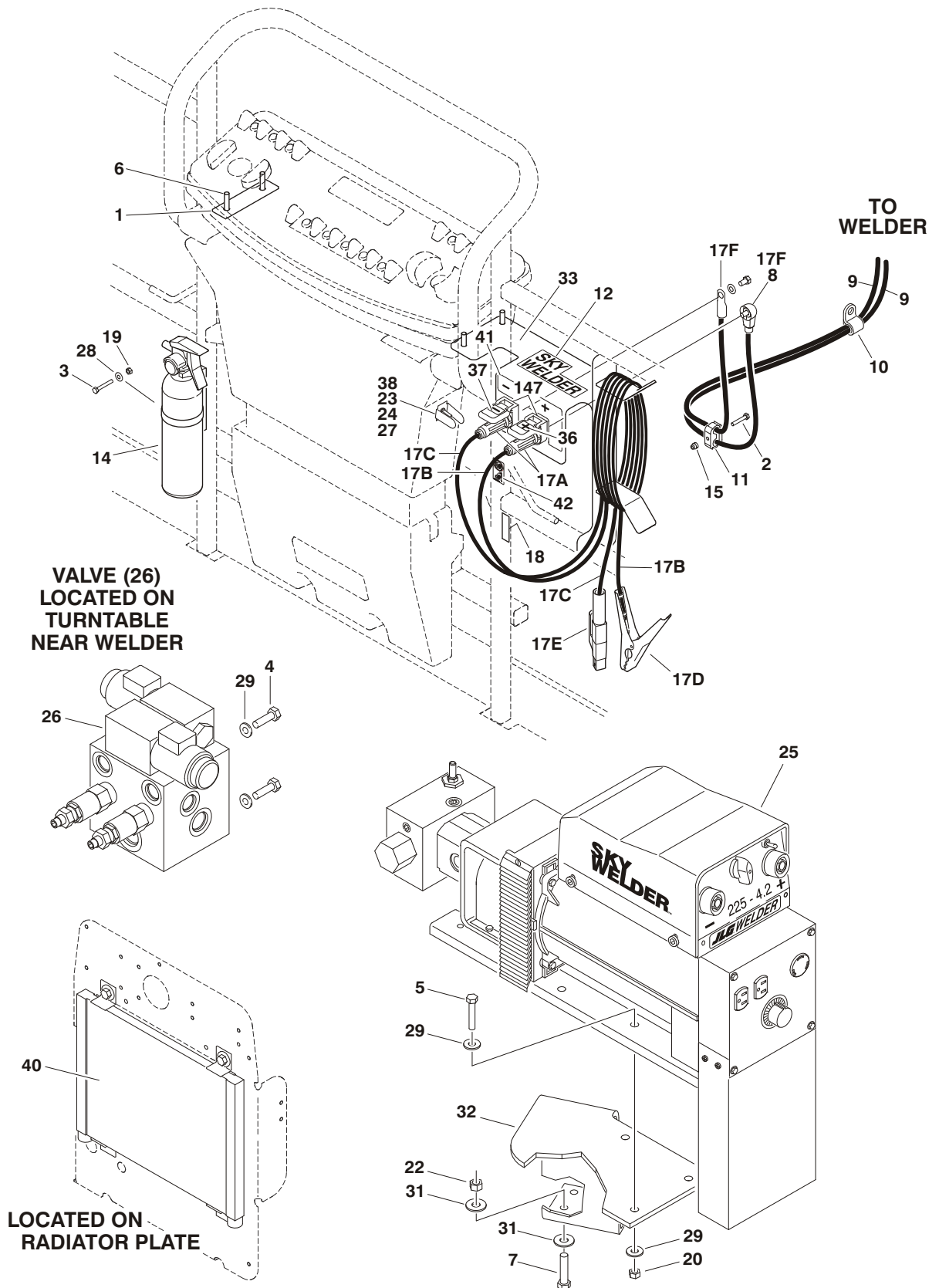
SECTION 10 SPECIAL OPTIONS

FIGURE 10-1. SPECIAL OPTIONS LIST (CONTINUED)

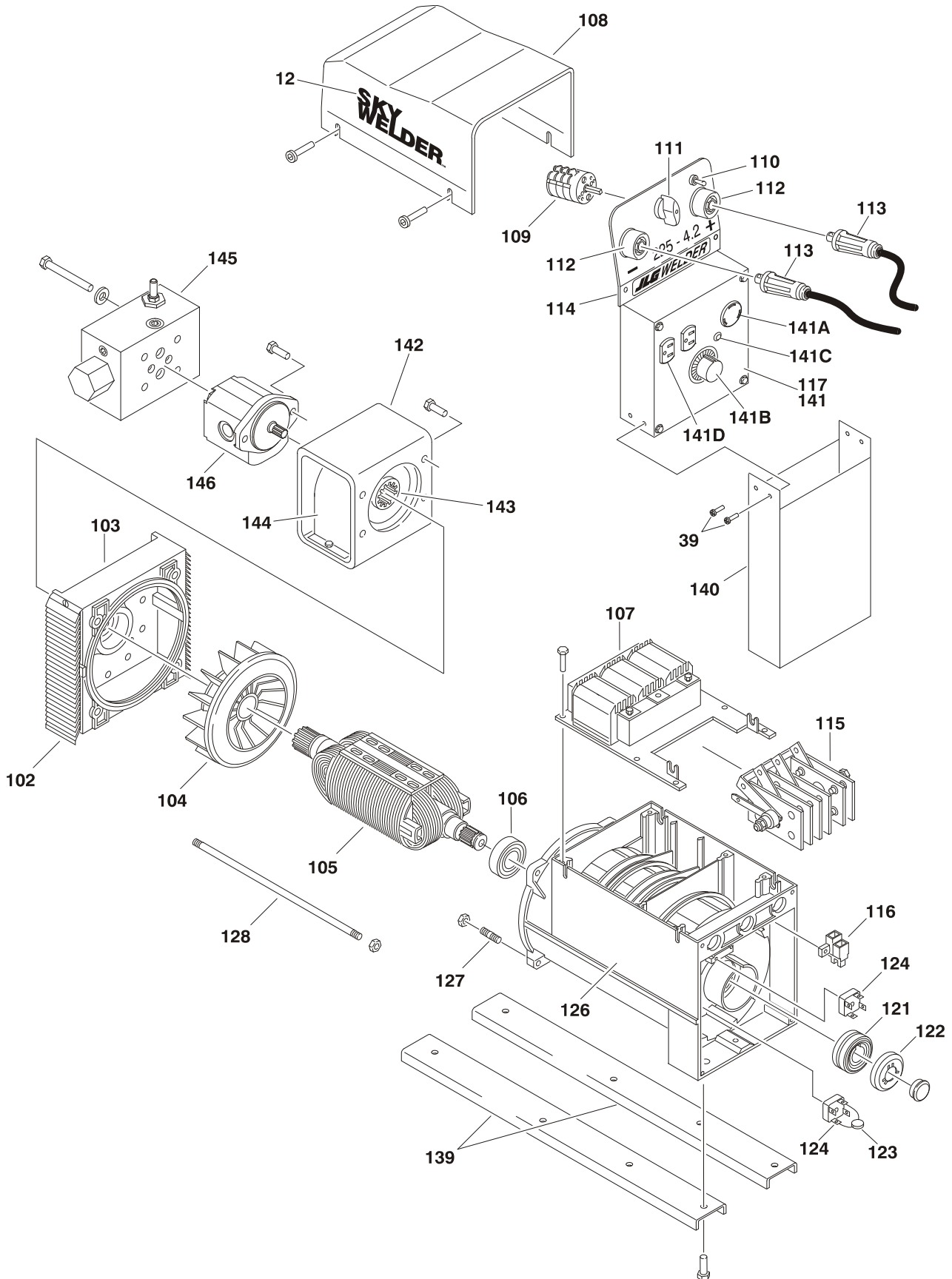
ITEM #	PART NUMBER	QTY.	DESCRIPTION	REV.
	0271240	Ref	Weld leads at Platform Installations	
	0271446	Ref	400S	
			460SJ	

SECTION 10 SPECIAL OPTIONS

FIGURE 10-2. SKY WELDER INSTALLATION (PRIOR TO SN 0300068333)



SECTION 10 SPECIAL OPTIONS



SECTION 10 SPECIAL OPTIONS

FIGURE 10-2. SKY WELDER INSTALLATION (PRIOR TO SN 0300068333)

ITEM #	PART NUMBER	QTY.	DESCRIPTION	REV.
		Ref	Note: For Machines with SkyWelder Built SN 0300068333 to SN 0300096000 see JLG Supplement 3124242. SkyWelder used Prior to SN 0300068333 is located on Turntable. SkyWelder used SN 0300068333 to SN 0300096000 is located in Platform.	
		Ref	SKY WELDER INSTALLATIONS	
	0270044	Ref	225A - 400S (Prior to SN 0300064404)	E
	0271579	Ref	200A - 400S (Prior to SN 0300064404)	A
	0271358	Ref	225A - 400S - ADE System (SN 0300064404 to SN 0300064509)	D
	0272025	Ref	225A - 400S - ADE System (SN 0300064509 to SN 0300068333)	B
	0270361	Ref	225A - 460SJ (Prior to SN 0300064404)	E
	0271580	Ref	200A - 460SJ (Prior to SN 0300064404)	A
	0271359	Ref	225A - 460SJ - ADE System (SN 0300064404 to SN 0300064509)	D
	0272024	Ref	225A - 460SJ - ADE System (SN 0300064509 to SN 0300068333)	B
1	0362949	2	Bar, Space	
2	0641412	1	Bolt 1/4in-20NC x 1-1/2in	
3	0641414	2	Bolt 1/4in-20NC x 1-3/4in	
4	0641510	2	Bolt 5/16in-18NC x 1-1/4in	
5	0641514	4	Bolt 5/16in-18NC x 1-3/4in	
6	0641613	4	Bolt 3/8in-16NC x 1-5/8in	
7	0641810	4	Bolt 1/2in-13NC x 1-1/4in	
8	0840041	1	Boot, Cable	
9	1060883	AR	Cable, Weld	
		110ft/33.5m	400S	
		125ft/38.1m	460SJ	
10	Not Required	AR	Clamp, Hose	
	1320130	0	400S	
		4	460SJ	
11	1320146	1	Clamp, Hose Options:	
	1320291		Clamp, Hose (Prior to SN 0300064404)	
			Clamp, Hose (SN 0300064404 to SN 0300068333)	
12	1704895	2	Decal - Sky Welder	
13	1704896	1	Decal - Sky Welder (Not Shown - Located on Hood)	
14	2030010	1	Extinguisher, Fire	
15	2080044	1	Rivnut, Fastener	
16	Not Used			
17	2901971	1	Platform Weld Leads Kit	B
17A	7023413	2	Connector, Cable	
17B	7023414	1	Cable, #1 Weld - Black (12ft Length)	
17C	7023418	1	Cable, #1 Weld - Red (12ft Length)	
17D	7023415	1	Clamp, Ground	
17E	7023416	1	Holder, Electrode	
17F	7023417	2	Lugs, Cable	
18	3251963	1	Nameplate - Welding Leads	

SECTION 10 SPECIAL OPTIONS

FIGURE 10-2. SKY WELDER INSTALLATION (PRIOR TO SN 0300068333) (CONTINUED)

ITEM #	PART NUMBER	QTY.	DESCRIPTION	REV.
19	3311405	2	Locknut 1/4in-20NC	
20	3311505	4	Locknut 5/16in-18NC	
21	Not Used			
22	3311805	4	Locknut 1/2in-13NC	
23	4060802	1	Guard, Switch	
24	4360336	1	Switch, Toggle	
25		1	Hydraulic Welder Assembly Options (See 101 to 147 for Breakdown):	
	4530016		225A	
	4530020		200A	
26	4641164	1	Diverter Valve Assembly	
27	4740397	1	Spacer, Washer	
28	4751400	2	Flatwasher 1/4in	
29	4751500	12	Flatwasher 5/16in	
30	Not Used			
31	4751800	4	Flatwasher 1/2in	
32	4846213	1	Support, Welder	
33	4846231	1	Support, Weld Lead	
34	4922442	1	Harness, Electrical (Not Shown) (Prior to SN 0300064404)	1/A
	3990001	1	Diode 3Amp	
	4460741	1	Connector, Relay	
35	Not Used			
36	1704919	1	Decal - Positive	
37	1704920	1	Decal - Negative	
38	3252764	1	Nameplate - AC & Weld	
39	0750605	4	Screw	
40	3620034	1	Oil Cooler Assembly	
41	1705000	1	Decal - Sky Welder (Platform)	
42	1705305	1	Decal - Weld Lead (SN 0300066961 to SN 0300068333)	
		Ref	HYDRAULIC WELDER ASSEMBLIES	
	4530016	Ref	225A	C
	4530020	Ref	200A	B
101	Not Used			
102	7023444	2	Grid - Front	
103	7023445	1	Shield Front	
104	7023446	1	Fan	
105	7023251	1	Rotor	
106	7023252	1	Bearing	
107		1	Impedance, Weld Options:	
	7023253		225A	
	7024313		200A	
108	7023447	1	Cover	
109	7023254	1	Switch, Step	
110	7023255	1	Selector, Range	
111	7023256	1	Knob, Switch	
112	7023257	2	Terminal, Female Weld Cable Attached	
113	7023258	2	Terminal, Male Weld Cable Attached	

SECTION 10 SPECIAL OPTIONS

FIGURE 10-2. SKY WELDER INSTALLATION (PRIOR TO SN 0300068333) (CONTINUED)

ITEM #	PART NUMBER	QTY.	DESCRIPTION	REV.
114	See Note	1	Panel, Front (Note: Not Available - Purchase Complete Welder Assembly)	
115	7023259	1	Bridge, Rectifier	
116	7023260	1	Brushes and Holder	
117		1	Panel, Receptacle Options (Panel Only):	
	7023419		225A	
	7024315		200A	
118 to 120	Not Used			
121	7023261	1	Ring, Slip	
122	7023262	1	Cover, Slip Ring	
123	7022363	1	Varistor	
124	7023264	2	Bridge, Single Phase Rectifier	
125	Not Used			
126		1	Housing & Stator Options:	
	7023265		225A	
	7024316		200A	
127	7023266	4	Bolt, Stay M8 x 30mm	
128	7023267	4	Bolt, Stay	
129 to 138	Not Used			
139	7023448	1	Rail Set	
140	7023449	1	Duct	
141		1	Panel Assembly (Complete) Options:	
	7023420		225A	
	See Note		200A (Note: Not Available for Purchase)	
141A		1	Receptacle, Twistlock Options:	
	7023421		225A	
	See Note		200A (Note: Not Available for Purchase)	
141B	7023422	1	Control, Fine	
	7024436	1	Knob	
141C	7023423	1	Light - AC	
141D		1	Receptacle Options:	
	7023424		225A	
	See Note		200A (Note: Not Available for Purchase)	
141E	7023425	1	Harness (Not Shown)	
142	See Note	1	Mount, Motor (Note: Not Available for Purchase)	
143	7023426	1	Coupling	
144	See Note	1	Guard, Coupling (Note: Not Available for Purchase)	
145	7023427	1	Valve Assembly	
146		1	Motor Assembly Options:	
	7023428		225A	
	7024317		200A	
147	7024559	2	Cover, Weld Receptacle W/Cover	

SECTION 11 PARTS NUMBER INDEX

Part Number	Page	Part Number	Page	Part Number	Page	Part Number	Page
0020005	1-45	0200632	2-72	0259182	8-7	0270160	2-121
0020006	1-45	0200664	2-94	0259183	8-7	0270180	1-47
0060033	2-89, 7-12	0200741	2-48	0259184	8-7	0270184	1-45
0060047	3-7, 3-15	0200742	2-29, 2-48	0259185	8-7	0270186	1-47
0060048	3-12, 3-15	0240047	1-47	0259186	8-7	0270187	1-47
0060059	3-7, 3-15	0240049	1-47	0259188	2-3	0270192	1-45
0080163	2-37, 2-43	0240050	1-47	0259189	3-5, 7-9	0270193	1-45, 1-47
0080181	2-22, 2-89	0255917	2-121, 7-27	0259190	3-5, 3-12, 7-9	0270213	3-4
0080201	2-22, 2-53, 2-81, 2-89	0256765	10-4	0259193	10-2	0270259	1-45
0080214	2-53	0256778	10-4	0259194	10-2	0270326	2-11
0080231	2-34	0256847	2-37, 2-43	0259195	10-2	0270354	2-127
0080232	2-89	0257195	10-2	0259196	10-2	0270361	10-4, 10-10
0080234	2-54	0257728	10-5, 10-6	0259197	10-2	0270398	8-3, 8-7
0080241	2-121	0257733	10-3	0259198	2-91, 7-12	0270496	2-71
0100009	4-16, 4-21	0257887	7-27	0259351	1-18	0270497	2-71
0100010	4-3	0258252	2-56	0259352	1-18	0270498	2-47
0100011	1-3, 1-4, 1-7, 1-8, 1-11, 1-12, 1-17, 1-46, 1-49, 2-3, 2-11, 2-22, 2-24, 2-29, 2-34, 2-40, 2-41, 2-48, 2-51, 2-53, 2-60, 2-61, 2-72, 2-75, 2-80, 2-81, 2-85, 2-90, 2-94, 2-107, 2-112, 2-117, 2-122, 2-125, 3-3, 3-4, 3-5, 3-7, 3-8, 3-11, 3-12, 3-13, 4-11, 4-13, 4-16, 4-23, 5-3, 5-5, 5-9, 5-11, 5-13, 5-17, 5-21	0258253	2-56	0259353	1-18	0270499	2-47
		0258308	2-122	0259354	1-18	0270574	10-3
		0258309	4-4, 7-3	0259355	1-19	0270575	10-3
		0258584	10-5	0259356	1-19	0270646	7-2, 10-2
		0258585	10-5	0259640	2-3	0270647	7-2, 10-2
		0258608	4-18	0259641	2-3	0270648	10-4
		0258703	10-5	0259665	1-45	0270649	7-2, 10-3
		0258918	10-5	0259674	1-45	0270650	1-18
		0258922	7-2, 10-3	0259750	2-51	0270651	1-18
		0258981	10-5	0259751	2-51	0270652	1-18
		0258999	7-2, 10-2	0259852	2-122	0270653	1-18
		0259000	2-93	0259856	3-11, 3-12	0270654	1-18
		0259001	2-93	0259857	2-122	0270655	1-18
		0259135	3-3	0259875	2-11	0270659	2-68
		0259136	3-3	0259962	4-18, 4-23	0270670	7-2, 10-2
		0259137	2-52, 4-18	0259963	4-18, 4-23	0270814	4-4, 4-8, 4-24, 7-3
		0259138	2-33	0259964	4-18, 4-23	0271040	4-11
		0259140	2-52	0259965	4-18, 4-23	0271076	2-118
		0259141	2-125	0259968	4-18, 4-23	0271077	2-118
		0259143	2-107	0259981	8-3	0271078	2-118
		0259144	2-67	0259989	8-7	0271079	2-118
		0259145	1-17, 1-41	0259990	8-7	0271159	3-5, 3-12, 7-19
		0259146	1-17, 1-41	0259991	8-7	0271160	3-5, 7-19
		0259147	2-11	0259992	8-7	0271164	2-122
		0259148	1-4	0259993	8-7	0271165	2-122
		0259149	1-12	0259994	8-7	0271166	2-122
		0259150	1-3	0270022	7-13, 7-26	0271211	1-45
		0259151	1-11	0270024	7-13, 7-26	0271212	1-45
		0259152	1-3	0270029	1-45, 1-46	0271213	1-45
		0259153	1-11	0270030	1-45, 1-46	0271215	1-45
		0259155	2-11	0270044	10-4, 10-10	0271218	1-45
		0259156	2-11	0270074	1-18	0271239	10-2
		0259157	2-122	0270075	1-18	0271240	10-7
		0259158	2-12	0270076	1-18	0271244	2-52
		0259159	8-3	0270077	1-18	0271245	2-33
		0259160	8-3	0270078	1-19	0271246	2-52, 4-23
		0259175	8-7	0270079	1-19	0271247	2-51
		0259176	8-7	0270086	1-45	0271248	2-51
		0259177	8-7	0270091	1-18	0271333	7-2
		0259178	8-7	0270092	1-18	0271340	4-24
		0259179	8-7	0270093	1-18	0271342	2-121
		0259180	8-7	0270094	1-18	0271343	2-121, 4-24
		0259181	8-7	0270159	2-121	0271345	2-71

SECTION 11 PARTS NUMBER INDEX

Part Number	Page	Part Number	Page	Part Number	Page	Part Number	Page
0271346	2-47	0272589	10-3	0273494	4-8	0440271	1-12
0271347	2-47	0272590	10-6	0273507	2-75	0440274	1-13
0271348	2-71	0272591	3-3	0273511	2-75	0440291	1-13
0271355	4-11, 4-24	0272592	3-3	0273512	10-6	0480056	2-94
0271358	10-4, 10-10	0272593	3-11, 3-12	0273693	2-25, 2-41, 2-43	0480111	2-72
0271359	10-4, 10-10	0272596	10-6	0273710	10-3	0480118	2-48, 2-72
0271441	2-89	0272597	10-6	0273944	2-40	0480120	2-29, 2-48
0271445	10-2	0272599	10-3	0274015	2-60	0480122	2-29
0271446	10-7	0272609	4-7	0274016	2-125	0480134	2-72
0271548	10-4	0272612	3-5, 7-19	0274079	2-47	0480135	2-75
0271579	10-4, 10-10	0272613	3-5, 3-12, 7-19	0274084	2-29	0480142	2-85
0271580	10-4, 10-10	0272614	2-47	0274085	2-47	0561185	3-7, 3-11
0271603	10-5	0272615	2-47	0274247	10-2	0561237	3-12
0271607	10-4	0272725	10-5	0274334	2-40	0561300	1-3, 1-4, 1-7, 1-8
0271657	2-118	0272731	2-107	0274415	2-118	0630462	4-11, 4-13
0271659	2-118	0272733	10-5	0274416	2-118	0630464	1-41, 4-16, 4-21
0271661	2-118	0272783	1-17, 1-42	0274419	2-118	0630491	2-121
0271662	2-118	0272784	1-17, 1-42	0274420	2-118	0630498	2-34, 2-60
0271675	10-5	0272803	1-7	0274529	10-2	0630518	2-112, 2-115, 4-16
0271892	10-3	0272804	1-8	0274570	4-9	0630534	5-9
0271912	7-2, 10-2	0272805	1-49	0274574	2-121, 4-24	0630535	5-5, 5-11, 5-13, 5-21
0271977	1-3	0272828	1-49	0274584	4-9	0630541	2-24, 2-34, 2-40, 2-52, 2-60, 2-80, 2-90
0271978	1-11	0272885	2-51	0274600	2-3		
0271993	1-18	0272886	2-52	0274601	2-3		
0271994	1-18	0272897	3-4	0274603	2-60	0630548	2-115
0271995	1-18	0272900	1-3	0274605	2-24	0630566	3-5
0271996	1-19	0272901	1-11	0275032	2-80	0630568	4-23
0271997	1-19	0272902	1-3	0275039	2-85	0630569	2-22
0271998	1-18	0272903	1-11	0275055	10-3	0641404	1-29, 2-122, 4-16, 4-21
0272007	4-11	0272906	1-7	0275056	10-2		
0272008	2-71	0272923	1-18	0275057	10-6	0641405	2-75, 2-85
0272009	2-47	0272924	1-18	0275059	2-118	0641406	2-22, 2-33, 2-53, 2-61, 2-81, 2-113, 2-118, 2-122, 3-8, 3-11, 4-4, 4-7, 4-16, 4-17, 4-21, 8-4, 8-11
0272010	2-47	0272925	1-17, 1-42	0275060	2-118		
0272011	2-71	0272926	1-17, 1-42	0340041	2-22, 2-34, 2-41, 2-53, 2-81, 2-89	0641407	2-41, 2-61
0272018	2-121, 4-24	0272927	1-12	0340046	2-22, 2-56, 2-91	0641408	1-45, 2-22, 2-52, 4-4, 4-7, 4-21, 8-4, 8-10
0272024	10-4, 10-10	0272938	2-118	0360406	1-49		
0272025	10-4, 10-10	0272939	2-118	0360541	2-34	0641410	2-22, 2-25, 2-35, 2-40, 2-54, 2-60, 2-80, 2-91
0272035	4-4	0272955	10-6	0360541	2-34		
0272036	4-4	0272970	4-8, 4-22	0361810	2-24, 2-34, 2-40, 2-52, 2-80, 2-90	0641412	2-3, 2-53, 2-60, 2-80, 10-10
0272070	3-8, 3-13	0272989	2-22	0362519	2-68	0641414	1-3, 1-11, 2-54, 2-61, 4-4, 4-8, 4-11, 4-13, 4-21, 10-10
0272254	10-6	0272994	2-24	0362528	2-122		
0272274	1-3	0272999	3-3	0362870	2-52	0641416	2-125, 3-12
0272275	1-11	0273003	10-6	0362909	2-122	0641420	2-3
0272301	10-6	0273004	10-6	0362932	1-3, 1-7	0641422	2-52, 2-80
0272307	10-6	0273005	10-6	0362936	1-41, 1-42	0641424	1-7
0272310	1-18	0273050	2-29	0362949	10-10	0641504	1-41, 1-49
0272311	1-18	0273051	2-29	0362954	1-3, 1-7, 1-11	0641506	2-22, 2-35, 2-54, 2-61, 2-91
0272336	1-18	0273064	10-2	0362965	1-11		
0272337	1-18	0273065	3-3	0363019	1-49	0641507	2-22, 2-56, 2-61, 2-81
0272352	1-18	0273145	10-5	0363082	2-75		
0272353	1-18	0273146	10-5	0363097	2-75		
0272387	10-6	0273147	10-5	0370024	5-19		
0272395	10-6	0273148	10-5	0400075	2-24, 2-34, 2-40, 2-52, 2-60, 2-80, 2-90		
0272418	10-3	0273149	10-5				
0272427	4-13	0273250	10-2				
0272435	10-3	0273353	10-6				
0272444	4-13	0273370	10-2	0440161	1-12		
0272448	10-3	0273473	1-7	0440162	1-4, 1-8		
0272588	10-3	0273493	4-8	0440240	2-11		

SECTION 11 PARTS NUMBER INDEX

Part Number	Page	Part Number	Page	Part Number	Page	Part Number	Page
0641508	1-8, 1-41, 1-42, 2-29, 2-48, 2-72, 2-75, 2-89, 2-94	0642012	1-3, 1-7, 1-11, 3-3	0741808	2-75	0902461	2-33
0641510	2-3, 2-35, 2-41, 2-43, 2-85, 10-10	0642682	3-8, 3-13	0750605	10-11	0902464	2-33
0641511	2-80	0651406	2-3	0750808	2-126	0902539	2-51, 2-64
0641514	10-10	0681608	3-8, 3-13	0760606	2-62	0902556	2-11
0641516	3-5	0681610	3-3	0801186	3-3, 3-11	0902668	2-125, 2-126
0641518	4-9	0681612	2-48, 2-72, 2-94	0801213	3-7	0902669	2-125
0641530	1-41, 1-42	0681632	3-4	0801214	3-11	0902673	2-126
0641538	1-41, 1-42	0681810	1-17	0801215	3-7	0902674	2-126
0641604	3-5, 5-21	0681822	1-45	0801216	3-11	0902724	2-54
0641605	3-4, 3-7, 3-12	0681824	1-8	0801223	3-3, 3-7	0902733	1-49
0641606	1-4, 1-8, 1-11, 1-13, 1-41, 2-67, 3-7, 3-11	0681828	1-4, 1-8, 1-13	0801359	3-3, 3-7	0902734	1-49
0641607	1-3, 1-4, 1-7, 1-12, 1-42	0681832	2-11	0801360	3-3, 3-11	0902740	2-35
0641608	2-22, 2-33, 2-51, 2-81, 2-89, 2-107, 2-125, 3-3, 3-7, 3-11, 3-12	0681856	1-46	0840041	10-10	0902751	4-21
0641609	2-24, 2-53, 2-61, 2-81, 3-4	0681872	1-46	0860038	7-13, 7-26	0902756	2-72
0641610	2-3, 2-22, 2-29, 2-34, 2-41, 2-42, 2-48, 2-52, 2-61, 2-68, 2-81, 2-89, 2-94, 2-122, 2-125, 3-3, 3-7, 3-11, 3-12, 4-4, 4-21	0682012	1-17	0860520	8-4, 8-10	0902952	2-75
0641611	2-34, 2-75, 2-81, 2-89, 4-16	0682014	1-17	0860984	4-15	0903010	2-64
0641612	2-53, 2-61, 2-75, 2-81, 2-125	0682018	2-11	0861195	4-15	0920116	2-11, 2-15
0641613	10-10	0682026	2-11	0861270	4-15	0920119	2-11, 2-15
0641614	2-53	0682040	1-49	0861271	4-15	0940049	2-25, 2-35, 2-40, 2-54, 2-60, 2-80, 2-91, 2-125
0641616	2-24, 2-35, 2-40, 2-54, 2-60, 2-80, 3-7, 3-11	0682048	2-11	0861278	2-113	0940070	2-42
0641618	1-41, 1-42, 3-12	0682248	1-3, 1-7, 1-11	0861279	2-113	0940071	2-125
0641620	1-11, 3-3	0700610	2-89	0861280	2-113	0940092	4-11
0641626	1-3, 1-7	0700808	2-22, 2-42	0861281	2-113	0940094	4-11
0641710	2-85	0700810	2-37, 2-43, 2-51, 2-81	0861320	2-125	0940101	4-11
0641718	2-75	0700814	2-94	0861327	2-125	0940103	4-13
0641772	2-29, 2-48, 2-72	0700816	2-34	0861337	2-111	0941611	2-24
0641808	1-45	0700819	2-48, 2-53, 2-61	0861339	2-111	0961890	5-3
0641810	2-11, 2-75, 10-10	0700820	2-85	0861340	2-111	0961893	5-9
0641812	2-22, 2-33, 2-41, 2-51, 2-61, 2-81, 2-89, 3-8, 3-13	0701010	2-53, 2-60, 2-91	0861341	2-111	0961894	5-5, 5-13
0641814	2-68, 3-3	0701012	2-33, 2-42, 2-54, 2-61, 2-89, 2-94	0861392	4-21	0961896	5-21
0641818	2-42	0701014	2-51, 2-61	0861414	4-21, 4-23	0961897	5-11
0641820	2-22, 2-33, 2-52, 2-61, 2-81, 2-89, 3-4	0701015	2-33, 2-42, 2-72, 2-75, 2-89	0861432	2-115	0961947	3-12, 3-16
0641826	2-11	0701016	2-85	0861433	2-115	0961948	1-46
0642010	1-3, 1-7, 1-11, 2-24, 2-35, 2-40, 2-53, 2-60, 2-80, 2-90	0701022	2-51, 2-61	0861434	2-115	0961950	1-3, 1-7, 1-11, 3-7, 3-11, 5-11
		0701217	2-29	0861435	2-115	0961951	1-5, 1-9, 1-13, 3-7, 3-11, 3-16, 5-5, 5-7, 5-13, 5-15
		0701414	2-33, 2-42, 2-48	0861462	2-111	0961986	2-42
		0720805	2-113, 2-118	0861463	2-111	0962031	2-89
		0721003	4-16, 4-24	0861494	2-115	0962140	1-5, 1-9, 1-13, 5-3
		0721004	2-22, 2-53, 2-62, 2-112, 2-115	0861495	2-115	0962172	2-22, 2-35, 2-53, 2-62, 2-81, 2-90
		0721005	2-68, 2-112, 4-13	0861496	2-115	0962292	1-8
		0721006	2-22, 2-49, 2-51, 2-72, 2-90, 2-94	0861499	2-115	0962293	1-46
		0721008	2-29, 2-49, 2-72, 2-94, 4-22	0861509	4-21	0962335	3-12
		0721010	2-51, 2-112, 4-16	0861510	4-21	0962336	5-9
		0731004	2-111, 4-16	0861535	4-15	0962348	1-8
		0731005	4-11, 4-13	0861537	4-21	0962474	5-3
		0731007	2-107	0861571	4-21	1	10-11
		0741605	3-8, 3-11	0861575	10-5	1001097554	2-26
		0741606	2-75	0861591	2-115	1001097962	2-125
		0741607	3-7	0861592	2-115	1001097963	2-125
		0741610	2-22, 2-34, 2-54, 2-62, 2-81, 2-90	0861706	2-115	1001099391	2-3
				0861707	2-115	1001099830	3-4
				0861710	2-115	1001101228	2-23
				0861711	2-115	1001101232	2-23
				0861736	2-115		
				0861739	2-115		
				0861773	2-115		
				0861774	2-115		
				0902210	2-72		
				0902457	2-56, 2-62		

SECTION 11 PARTS NUMBER INDEX

Part Number	Page	Part Number	Page	Part Number	Page	Part Number	Page
1001101233	2-23	1060341	2-123, 7-12, 7-13, 7-27	1580011	2-22, 2-53, 2-64, 2-82, 2-89	1683897	3-7, 3-11, 5-21
1001101835	2-126	1060494	7-9, 7-19	1580012	4-4, 4-8	1683949	5-13
1001101836	2-126	1060515	7-8	1580013	4-4, 4-8	1683950	5-13
1001102308	2-23	1060516	7-9	1600218	4-17	1683951	3-3, 5-13
1001102354	1-46	1060602	7-9	1600283	4-15, 4-33	1683952	5-5
1001109194	4-17	1060609	2-123	1600284	4-15, 4-27	1684012	5-5
1001109402	2-126	1060680	2-123	1600298	2-52	1684013	3-11, 5-5
1001109403	2-126	1060883	10-10	1600312	2-115	1684138	5-3
1001109694	10-4	1060896	7-19	1600313	4-21	1684139	1-3, 1-7, 1-11, 5-3
1001109698	10-4	1060902	7-25, 7-28	1600314	2-52	1684193	5-21
1001110138	10-4	1060903	4-11, 4-13	1600317	4-21, 4-29	1684194	3-7, 3-11, 5-21
1001110139	10-4	1060904	2-22	1600318	4-21, 4-35	1684283	5-13
1001110997	10-3	1060918	4-4, 4-8, 4-21, 7-18	1600327	2-115	1684284	3-3, 5-13
1001110998	10-3	1060983	4-9, 7-19, 7-27	1600328	2-52	1684312	5-21
1001110999	10-3	1060985	7-19	1600344	10-5	1684412	1-4, 1-8, 1-13, 5-19
1001111000	10-3	1100118	1-3, 1-11	1600361	2-26	1700584	8-3, 8-10
1001113961	4-35	1100123	1-7	1600363	2-56	1700818	8-4, 8-11
1001114034	10-3	1120484	2-108	1600364	2-115, 9-2	1701499	8-4, 8-11
1001114035	10-3	1120487	2-108	1600374	2-64	1701500	8-4, 8-10
1001114059	10-3	1120532	2-107	1600375	4-21, 9-2	1701502	8-3, 8-10
1001114060	10-4	1120552	1-19	1600375	4-21, 9-2	1701503	8-3, 8-10
1001114061	10-4	1180336	3-4	1600411	2-115, 9-2	1701504	8-3, 8-10
1001114119	10-4	1180379	3-4	1660219	2-12	1701505	2-25, 2-35, 2-90, 8-4, 8-11
1001114120	10-4	1260017	2-11	1660219RR	2-12	1701509	8-3, 8-10
1001114121	10-4	1300019	1-19	1660234	2-37, 2-43	1701515	2-40
1001114125	10-4	1320012	2-22, 2-23, 2-53, 2-62, 2-81, 2-89	1660239	2-91	1701529	8-4, 8-10
1001114126	10-3	1320016	2-22, 2-34, 2-53, 2-62, 2-81, 2-89	1660250	2-55, 2-63	1701542	2-54, 2-60, 2-80, 8-4, 8-11
1001114128	10-3	1320019	2-51	1660255	2-22	1701543	2-60, 2-80, 8-4, 8-11
1001114129	10-3	1320022	2-22, 2-24, 2-35, 2-40, 2-42, 2-51, 2-53, 2-60, 2-62, 2-80, 2-81, 2-90	1670769	3-12	1701645	8-3, 8-9
1001114131	10-3	1320023	2-60	1670824	2-122	1701691	8-4, 8-11
1001114137	10-4	1320032	2-54	1670829	2-112, 2-115, 4-16, 4-21	1702153	8-3
1001117320	4-8	1320033	2-62	1670836	3-8, 3-11	1702300	8-3, 8-10
1001118416	4-21, 4-35, 9-1	1320058	2-54	1670870	10-5	1702564	4-15, 4-21
1001118417	4-21, 4-29	1320060	2-52, 2-62, 4-16	1670894	10-5	1702565	4-15, 4-21
1001129555	4-21, 4-29, 4-30, 9-1	1320126	2-68	1670956	2-122	1702566	4-15, 4-21
1001137672	10-6	1320127	2-67	1671037	4-22	1702567	4-15, 4-21
1001140283	1-4, 1-8, 1-13	1320130	10-10	1671170	2-125	1702590	2-76, 2-86
1001140586	3-7, 5-7	1320146	10-10	1683053	5-9	1702610	2-111, 2-115
1001140587	3-3, 5-15	1320176	2-36, 2-37, 2-42, 2-44	1683054	5-21	1702676	4-21
1001142504	10-5	1320218	2-67, 2-68	1683055	5-5, 5-13	1702688	8-3, 8-9, 8-10
1001142505	10-5	1320220	2-67	1683063	5-11	1702720	8-11
1001143256	10-6	1320222	2-34	1683076	5-3, 5-17	1702738	1-19
1001144023	4-7	1320223	2-24, 2-35, 2-40, 2-42, 2-54, 2-80, 2-91	1683261	5-9	1702740	1-19
1001144024	4-7	1320291	10-10	1683572	5-3	1702773	8-3, 8-8
1001144025	4-7	1320323	2-80	1683574	5-3	1702774	8-3, 8-8
1001144026	4-7	1321138	2-62	1683575	1-3, 1-11, 5-3	1702784	8-3, 8-8
1001144027	4-7	1340060	2-22, 2-34, 2-42, 2-53, 2-62, 2-81, 2-89	1683609	3-12, 5-9	1702788	10-2
1001144629	4-7	1340061	10-2	1683614	1-4, 1-8, 1-13, 5-17	1702861	8-3, 8-8
1001148902	10-3			1683615	5-17	1702868	8-3, 10-2
1001148903	10-3			1683658	5-17, 5-19	1702938	4-24
1001148904	10-3			1683687	5-9	1702961	10-3
1001148905	10-3			1683776	3-3, 5-11	1702962	10-2
1001148906	10-3			1683778	3-7, 5-5	1702968	1-49
1001148971	10-5			1683844	5-11	1703067	1-19
1001149560	10-6			1683846	5-11	1703090	4-17
1001149730	10-5			1683861	5-5	1703091	4-17
1060012	7-8			1683893	5-21	1703092	4-17
1060279	8-4, 8-10			1683895	5-21		

SECTION 11 PARTS NUMBER INDEX

Part Number	Page	Part Number	Page	Part Number	Page	Part Number	Page
1703093	4-17	1704102	8-9	1705364	1-19	2120210	2-3, 9-1
1703162	2-22, 2-35, 2-42, 2-54, 2-63, 2-82, 2-90	1704103	8-9	1705753	2-115	2160002	2-12
1703175	10-2	1704104	8-3	1706059	2-41	2180125	2-67
1703450	1-49	1704106	8-10	1706060	2-41	2180344	2-12
1703479	10-2	1704107	8-9	1706061	2-41	2180348	2-60, 2-80
1703622	2-112	1704108	8-9	1706062	2-41	2180387	2-67, 2-68
1703776	4-15	1704109	8-9	1706063	2-41	2180388	2-67
1703797	8-3	1704110	8-9	1706064	2-41	2180389	2-67, 2-68
1703798	8-3	1704111	8-9	1706126	8-4, 8-11	2180418	2-67
1703804	8-3	1704112	8-9	1706708	8-3, 8-8	2180422	6-12
1703805	8-3	1704150	10-2	1706709	8-3, 8-8	2180467	2-53, 2-62
1703808	8-3	1704174	10-2	1706712	2-115	2180482	2-22
1703923	8-7	1704175	10-2	1780305	2-125	2180504	2-68
1703924	8-7	1704233	8-9	1780307	2-112, 2-116	2180536	2-24, 2-35, 2-90
1703925	8-7	1704260	4-17, 4-21	1840013	2-111	2180724	6-12
1703926	8-7	1704271	8-11	1840014	2-111	2180798	2-22, 2-34, 2-42, 2-53, 2-62, 2-90
1703927	8-7	1704277	8-3, 8-8	1840015	2-111	2180877	2-82
1703928	8-7	1704412	8-4, 8-11	1840020	2-111	2200222	2-17, 2-24, 2-35, 2-40, 2-54, 2-60, 2-80, 2-91
1703929	8-7	1704465	2-111, 2-116	1870096	7-3	2220001	2-12
1703930	8-7	1704466	2-111, 2-116	1870097	7-3	2220005	2-68
1703931	8-7	1704472	8-3, 8-8	1870132	7-3	2220082	2-68
1703932	8-7	1704473	8-3, 8-8	1870142	7-3	2220124	2-12
1703933	8-7	1704484	4-18, 4-23	1870191	7-3	2220237	6-5, 6-7, 6-11
1703934	8-7	1704485	4-18, 4-23	2000162	2-33, 2-36	2220240	6-5
1703935	8-7	1704486	4-18, 4-23	2000163	2-89	2220242	6-5, 6-7
1703936	8-7	1704487	4-18, 4-23	2000164	2-51, 2-55	2220250	2-24, 2-35, 2-54, 2-90
1703937	8-7	1704488	8-3	2000166	2-51	2220261	2-67
1703938	8-7	1704489	8-3	2000172	2-51, 2-55	2220273	2-12, 2-24, 2-35, 2-40, 2-53, 2-90
1703939	8-7	1704510	8-10	2000174	2-51	2220290	2-68
1703940	8-7	1704514	4-18, 4-23	2000175	2-33, 2-36	2220313	2-24, 2-35, 2-40, 2-54, 2-60, 2-80, 2-90
1703947	8-8	1704540	8-4, 8-11	2000190	2-33, 2-36	2220362	6-5, 6-7
1703948	8-7	1704578	1-49	2000193	2-51, 2-55	2220366	6-7
1703949	8-7	1704586	1-46	2000195	2-22, 2-25	2220371	6-5, 6-7, 6-11
1703950	8-8	1704726	8-4, 8-11	2000207	2-62, 2-63	2220372	6-11
1703951	8-8	1704825	8-4, 8-11	2000210	2-61	2220373	6-5, 6-7, 6-11
1703952	8-7	1704827	8-4, 8-11	2000216	2-36, 2-37, 2-42, 2-43, 2-44	2220375	6-3, 6-5, 6-7, 6-11
1703980	8-11	1704828	8-4, 8-11	2000219	2-41	2220376	2-22, 2-99, 6-11
1703981	8-11	1704829	8-4, 8-11	2000236	2-61	2220377	6-11
1703982	8-11	1704885	8-4, 8-11	2000237	2-61	2220379	6-11
1703983	8-11	1704895	10-10	2000245	2-41	2220380	6-11
1703984	8-11	1704896	10-10	2000247	2-41	2220385	2-101, 6-3, 6-11
1703985	8-11	1704919	10-11	2000286	2-41	2220409	2-34
1703996	8-8, 8-9	1704920	10-11	2000287	2-41	2220414	6-12
1704000	8-8, 10-2	1704972	2-41	2000287	2-41	2220415	6-3, 6-5, 6-7, 6-11
1704001	8-8	1704997	4-21	2000311	2-61	2220428	6-11
1704002	8-8	1705000	10-11	2000312	2-61	2220429	6-11
1704003	8-8	1705065	8-9	2000313	2-22	2220435	6-5, 6-7, 6-11
1704004	8-8	1705066	8-9	2000347	2-41	2220451	2-34, 2-42, 6-11
1704005	8-8	1705067	8-9	2000354	2-82	2220459	2-24, 2-35, 2-90
1704006	8-10	1705067	8-9	2000358	2-81	2220465	6-5, 6-7
1704007	8-10	1705068	8-9	2000359	2-81	2220466	6-5, 6-8, 6-11
1704008	8-10	1705069	8-9	2030010	10-10	2220468	6-11
1704096	8-3	1705070	8-9	2060025	2-34, 2-42, 2-53, 2-62, 2-82		
1704098	8-9	1705071	8-10	2060032	2-22		
1704099	8-8	1705072	8-10	2080040	4-3, 4-7, 4-8		
1704100	8-8	1705073	8-10	2080044	3-12, 10-10		
1704101	8-8	1705074	8-10	2120150	2-3		
		1705075	8-10	2120163	2-3		
		1705076	8-10	2120209	2-3		
		1705132	2-117, 4-22				

SECTION 11 PARTS NUMBER INDEX

Part Number	Page	Part Number	Page	Part Number	Page	Part Number	Page
2220472	6-8, 6-11	2360626	1-5, 1-9, 1-14	2720507	2-23	2753373	6-12
2220473	6-11	2360627	1-5, 1-9, 1-14	2720508	2-23	2753416	6-7
2220479	2-22, 2-101, 6-11	2360650	1-5, 1-9, 1-14	2720514	2-62, 2-82	2753417	6-7
2220481	6-5	2360651	1-5, 1-9, 1-14	2720563	2-82	2753502	6-12
2220497	6-11	2360652	1-5, 1-9, 1-14	2720564	2-82	2753511	6-12
2220498	2-22, 2-99, 6-11	2400060	7-11, 7-23	2720565	2-80	2753512	6-12
2220500	6-11	2400061	7-11, 7-23, 9-2	2720566	2-80	2753513	6-12
2220501	6-3, 6-5, 6-7	2400065	7-24	2720567	2-80	2753514	6-12
2220502	6-11	2400066	7-24, 7-28	2750532	2-23, 2-24, 2-35, 2-40, 2-42, 2-51, 2-53, 2-60, 2-63, 2-80, 2-82, 2-90	2753515	6-12
2220504	6-5, 6-7	2400070	7-27			2753516	6-12
2220567	2-22, 6-11	2420172	2-112, 2-116			2753517	6-12
2220568	6-5	2420187	2-55, 2-63	2751095	2-12	2754229	6-5, 6-7
2220578	2-22, 2-99, 6-7, 6-12	2420191	2-107	2752430	6-12	2760105	2-111, 2-116
2220582	6-5, 6-7, 6-11	2420194	4-17	2752442	6-5	2760109	4-15, 4-21
2220596	6-5, 6-7, 6-11	2420197	4-21	2752443	6-7, 6-12	2760112	2-64
2220600	6-5, 6-7, 6-11	2460011	2-47, 2-71	2752466	6-5, 6-7	2780221	1-46
2220602	6-8	2460013	2-29, 2-47, 2-71, 2-93	2752471	6-12	2780230	1-4, 1-5, 1-8, 1-9
2220603	6-12			2752492	6-5, 6-8	2780243	1-17, 1-25
2220648	2-67	2460032	2-29, 2-47, 2-71, 2-93	2752495	6-5, 6-7	2780244	1-17, 1-25
2220711	6-3			2752496	6-5, 6-8	2780246	1-17, 1-21
2220775	6-11	2460034	2-47, 2-71, 2-93	2752502	6-7	2780247	2-11, 2-17
2220794	2-24, 2-35, 2-40, 2-53, 2-90	2460044	2-71	2752506	6-5, 6-7	2780253	1-17, 1-25
		2460051	2-75, 2-85	2752519	6-12	2780254	1-17, 1-25, 1-26
2220805	2-54	2460052	2-75, 2-85	2752573	6-12	2780267	1-17, 1-29
2220810	2-22, 2-101, 6-11	2460055	2-29, 2-47	2752594	6-7	2780268	1-17, 1-29
2220883	1-37, 1-38, 5-5, 5-9, 5-11, 5-21	2540035	2-125	2752632	6-3	2792383	6-11, 6-14
2220885	5-3, 5-5, 5-9, 5-13, 5-21	2560136	4-15, 4-21	2752763	6-12	2792384	6-11, 6-14
2220886	1-37, 1-38, 5-11, 5-22	2560173	4-9	2752908	6-5, 6-7	2792385	6-5, 6-14
		2570008	5-19	2752942	6-12	2792386	6-7, 6-14
2220888	1-38	2600209	2-125	2752944	6-7	2792387	6-14
2220899	6-11	2600211	4-15, 4-23	2752977	6-5, 6-7	2792398	6-3, 6-14
2220906	6-11	2600216	4-3	2752977	6-5, 6-7	2792432	6-14
2220947	2-22, 2-99, 6-11	2600219	4-3	2753035	6-3, 6-7	2792598	6-14
2221018	2-67	2600258	2-125	2753162	6-7	2792704	6-11, 6-14
2221019	2-67	2600281	4-7	2753339	6-3	2792705	6-11, 6-14
2221024	2-68	2600287	4-3	2753340	6-5, 6-7	2820031	2-30, 2-49, 2-72, 2-76, 2-86, 2-94
2221030	6-5, 6-7, 6-11	2680463	2-125	2753341	6-5, 6-7	2820035	2-122, 4-4, 4-8, 7-13
2221040	6-3	2680464	2-125	2753342	6-3	2820080	2-127
2221041	2-22, 2-99, 6-11	2680465	2-125	2753343	6-5, 6-7	2820099	2-127
2221042	6-11	2680466	2-125	2753344	6-5	2820128	2-35, 2-40, 2-91, 2-126
2221043	6-3	2680471	2-126	2753345	6-7		
2221044	6-12	2680516	2-125	2753346	6-5, 6-7	2820129	2-126
2221045	2-22, 6-11	2720058	2-22, 2-24, 2-35, 2-53, 2-60, 2-80, 2-82, 2-90	2753347	6-5	2820140	2-91
2221063	6-12			2753348	6-12	2820172	2-62
2221086	6-11	2720144	2-67	2753349	6-12	2820173	2-62
2221176	2-40, 2-60, 2-80	2720149	2-68	2753350	6-12	2820174	2-63
2221216	6-12	2720271	2-24, 2-35, 2-90	2753351	6-12	2820181	2-126
2300004	2-81	2720341	2-55	2753352	6-12	2820182	2-126
2300014	10-4	2720351	2-35	2753353	6-12	2860012	2-48, 2-72
2300016	1-18, 10-4	2720392	2-68	2753354	6-12	2860030	2-111, 2-116, 9-1
2300019	10-4	2720398	2-34, 2-42	2753355	6-12	2900708	1-41, 1-42
2300027	10-4	2720434	2-34, 2-42	2753357	6-12	2900733	2-19
2300029	10-4	2720435	2-54, 2-62	2753358	6-12	2900770	3-15, 5-3
2360539	1-5, 1-9, 1-14	2720436	2-53, 2-62	2753359	6-12	2900792	5-5, 5-7, 5-9, 5-11
2360540	1-5, 1-9, 1-14	2720441	2-89	2753360	6-12	2900804	1-47
2360541	1-5, 1-9, 1-14	2720448	2-91	2753368	6-12	2901301	5-5, 5-13
2360625	1-5, 1-9, 1-14	2720449	2-35, 2-42	2753369	6-12	2901303	5-9
		2720474	2-54, 2-60, 2-80	2753372	6-12	2901443	7-28, 10-6

SECTION 11 PARTS NUMBER INDEX

Part Number	Page	Part Number	Page	Part Number	Page	Part Number	Page
2901547	5-17	3220112	2-36		13	3422592	1-3, 1-7, 1-11, 1-12
2901548	5-3	3220113	2-23, 2-56, 2-91	3311505	1-41, 1-42, 2-3, 2-23, 2-35, 2-42,	3422690	3-3
2901637	2-33	3220114	2-56, 2-91		2-54, 2-56, 2-62,	3422692	1-4, 1-8
2901659	10-5	3220134	2-62, 2-64		2-80, 2-82, 2-91,	3422716	1-13
2901662	10-5	3250585	4-9		2-126, 3-5, 10-	3422786	1-46
2901663	10-5	3250872	1-49		11	3422848	1-8
2901775	2-90	3251102	2-30, 2-49, 2-72, 2-86, 2-94, 4-24	3311601	2-107, 2-122, 2-126, 3-3, 3-4, 4-15, 4-23	3422851	3-4
2901841	5-11	3251243	2-76, 2-86, 8-4, 8-10			3422859	3-8, 3-11
2901861	5-21, 5-22	3251813	8-3, 8-10	3311602	2-107	3422860	3-12
2901879	2-54, 2-60	3251963	10-10	3311605	1-41, 1-42, 2-23, 2-24, 2-30, 2-34,	3422861	3-12
2901880	2-23, 2-34, 2-90	3252221	8-11		2-40, 2-42, 2-48,	3422865	3-7
2901971	10-10	3252347	4-8, 8-4		2-52, 2-60, 2-62,	3422867	3-12
2902393	7-2, 10-3	3252672	8-4		2-68, 2-72, 2-80,	3422936	1-4, 1-7, 1-12
2902409	5-19	3252680	8-11		2-82, 2-89, 2-94,	3423081	1-13
2902443	7-24	3252681	8-11		2-126, 3-3, 3-12,	3450304	4-15, 4-23
2902511	2-80	3252682	8-11		4-4, 4-8, 4-16, 4-21	3450608	1-5, 1-9
2910000	2-33, 7-12	3252683	8-11	3311608	3-4	3450808	1-4, 1-8
2910495	10-3	3252684	8-11	3311705	2-30, 2-48, 2-72	3460375	2-126
2910496	10-3	3252684	8-11	3311801	1-17, 1-49, 2-12	3480188	5-5, 5-13
2910752	2-115	3252685	8-11	3311805	2-23, 2-33, 2-42, 2-52, 2-62, 2-68,	3480210	5-9
2910865	4-23	3252764	2-76, 10-11		2-82, 2-89, 3-4,	3480253	5-11
2910949	10-3	3271805	1-45, 1-46		3-8, 3-13, 10-11	3480255	5-21
2915014	2-115	3272201	1-3, 1-7, 1-11	3312005	1-49, 2-24, 2-35, 2-40, 2-53, 2-60,	3480274	5-21
2920110	2-121	3272205	1-8		2-80, 2-90	3510675	4-3
2920113	2-121	3272605	3-8, 3-13	3312008	1-4, 1-8, 1-13	3510694	4-3
2920129	4-17, 4-21, 7-8, 7-9, 7-24	3290405	2-81	3322201	1-3, 1-4, 1-8, 1-11, 1-13	3510711	4-3
2920130	2-121	3290505	2-81			3510714	4-3
2920140	4-4, 4-8, 7-27	3290801	2-90	3323003	1-4, 1-8	3510725	4-3
2920157	2-121, 4-9, 7-27	3300106	1-18	3340399	2-23, 2-34, 2-40, 2-52, 2-61, 2-63,	3510738	4-3
2920162	2-30, 2-48, 2-71, 2-93	3300220	2-23		2-80, 2-82, 2-90	3510742	4-3
2920214	2-121	3300255	1-45	3340453	3-4	3510744	4-3
2920215	2-121	3300353	4-22	3340608	5-21	3510747	4-3
2940073	2-112, 2-116, 2-125	3300408	2-112, 2-116, 4-17, 4-21	3340853	3-4	3510749	4-3
2940074	4-3, 4-7, 9-1	3300441	2-126	3340867	3-7, 3-11	3510753	4-3
2940117	2-125	3310805	2-67, 2-113, 2-118	3340868	3-7, 3-11	3510754	4-3
2940118	1-41	3311001	2-112, 4-7, 4-17, 4-22, 4-24	3340869	3-7, 3-11	3510772	4-3
3020016	2-61	3311005	1-41, 2-23, 2-30, 2-35, 2-49, 2-51,	3340870	3-7, 3-11	3510788	4-3
3020021	2-37, 2-43		2-53, 2-62, 2-68,	3340897	3-5	3510822	4-7
3020029	1-13		2-72, 2-76, 2-86,	3380434	4-4, 4-8	3510830	4-7
3020043	5-19		2-90, 2-94, 2-121, 2-122, 4-3, 4-15, 4-22	3380569	2-126	3510831	4-7
3124114	2-56	3311401	2-116, 4-11, 4-13, 4-16	3380652	10-4	3510832	4-7
3160242	1-17, 1-33	3311405	2-3, 2-23, 2-25, 2-33, 2-40, 2-42,	3380741	2-81	3510833	4-7
3160243	1-18, 1-33		2-52, 2-53, 2-60,	3420156	4-23	3520028	2-30, 2-48, 2-49, 2-71, 2-72, 2-76,
3160249	2-11, 2-19		2-62, 2-76, 2-80,	3420352	1-49		2-85, 2-93, 2-94, 4-16, 4-22
3160266	1-18, 1-33		2-82, 2-86, 2-89,	3420372	1-49	3520054	4-22
3160280	2-11, 2-19		2-113, 2-118, 2-126, 4-4, 4-8, 4-21, 8-4, 8-10, 10-11	3421565	2-11	3520072	4-3, 4-7
3160298	1-17, 1-33	3311501	2-25, 2-35, 2-40, 2-60, 2-80, 2-91,	3422457	3-7, 3-11	3520172	4-3
3160348	1-18, 1-37		2-126, 4-11, 4-	3422561	3-3, 3-11	3520173	4-17
3160351	1-17, 1-37			3422564	3-3	3520174	4-23
3160353	1-17, 1-37			3422566	3-3	3520198	4-7
3160354	1-18, 1-37			3422582	3-7	3536089	4-4, 4-8
3200362	2-42					3538819	4-17
3200378	2-23, 2-33, 2-52, 2-89					3539275	2-112, 2-116
3200406	2-62, 2-82					3539685	4-3
3220103	2-42					3539719	4-11
3220110	2-36					3539972	2-51
						3570607	2-33, 2-52, 2-89

SECTION 11 PARTS NUMBER INDEX

Part Number	Page	Part Number	Page	Part Number	Page	Part Number	Page
3570667	2-52					4060700	7-13, 7-26
3570800	2-33	3600296	2-89, 2-103	3820001	1-49, 8-4, 8-10	4060802	2-30, 2-49, 2-72, 2-76, 2-86, 2-94, 4-9, 4-24, 10-11
3570801	2-33		89, 2-97	3820020	4-7		
3570808	2-35, 2-53, 2-62, 2-82	3600297	2-33, 2-51, 2-89, 2-101	3841143	1-8, 3-3, 3-7, 3-11, 3-12	4060803	2-108, 4-3
3571019	2-23, 2-54, 2-62, 2-82	3600368	2-23, 2-33, 2-51, 2-89, 2-101	3841203	1-46	4060805	2-126, 3-5
3571192	2-89	3600377	2-55	3841258	1-3, 1-4, 1-7, 1-11, 1-12, 3-3	4060808	3-5
3571201	2-89	3600385	2-23, 2-33, 2-51, 2-97, 2-99	3841340	1-41, 1-42, 3-8, 3-12	4060906	2-112, 2-116
3571222	4-16, 4-22	3600395	2-41, 2-61	3841367	1-4, 1-8, 1-12, 1-13	4060907	2-121
3571265	2-89	3600404	2-23, 2-41, 2-61, 2-81, 2-99	3841442	1-4	4060919	3-5
3571266	2-89	3600405	2-23, 2-81, 2-101	3841517	1-4, 1-8, 1-13	4060950	1-5, 1-13
3571279	2-91	3600423	2-23, 2-34, 2-43, 2-54, 2-62, 2-82, 2-89, 2-103	3841520	1-4, 1-7, 1-12	4060959	10-4
3571498	2-51			3841619	1-8	4060978	1-3, 1-4, 1-7, 1-11, 1-12
3571502	2-51, 2-62	3620033	2-34, 2-43	3900109	1-4, 1-5, 1-8, 1-12, 1-13	4060979	1-41
3571692	2-23, 2-33, 2-52, 2-62, 2-82, 2-89	3620034	10-11	3900139	5-11	4060980	1-41
3571795	5-21	3620040	2-52, 2-62, 2-82, 2-89	3900141	5-9	4060981	1-41
3571818	1-46	3620046	2-23	3900205	4-7	4060995	3-8, 3-11
3571833	1-46	3641182	2-111, 4-17	3900217	2-89	4061010	2-126
3572003	2-111	3730023	7-9	3900224	4-15, 4-23	4061012	2-68
3572032	1-45, 1-47	3730099	7-10	3900232	2-126	4061048	1-9
3572041	2-11	3730120	7-23	3900255	2-25, 2-35, 2-40, 2-53, 2-60, 2-80, 2-90	4070450	1-49
3572165	3-5	3740049	2-112, 2-116, 4-17, 4-18, 7-3, 7-13, 7-27	3900283	3-4	4070497	2-23, 2-34, 2-40, 2-52, 2-61, 2-63, 2-80, 2-82, 2-90, 3-7, 3-11
3572200	3-5	3740057	2-112, 4-18	3900295	1-8	4070498	2-24, 2-34, 2-40, 2-53, 2-61, 2-63, 2-80, 2-82, 2-90, 3-7, 3-11
3572345	3-5	3740058	4-16	3900296	1-8		
3572502	2-23, 2-54, 2-62, 2-82	3740063	4-16	3900322	2-76	4070501	3-7, 3-11
3572503	2-23, 2-54, 2-62, 2-82	3740066	2-112, 4-18	3910608	2-112	4070502	3-7, 3-11
3572504	2-25, 2-54, 2-60, 2-80	3740067	2-23, 2-35, 2-43, 2-53, 2-62, 2-82, 2-90, 9-1	3910610	4-17	4070503	3-7, 3-11
3572506	1-49	3740080	2-23, 2-30, 2-48, 2-53, 2-62, 2-72, 2-76, 2-86, 2-94, 9-1, 9-2	3910804	2-112, 2-116	4070504	3-7, 3-11
3572600	2-52			3910808	2-67	4070560	1-49
3572728	2-90	3760133	3-7, 3-11	3911008	4-3, 4-7	4070561	1-49
3572827	2-116	3760170	1-49, 2-11	3911040	2-121	4070929	3-7, 3-11
3573667	2-23, 2-33, 2-63, 2-82	3760308	4-15	3930816	2-122	4070972	1-11
3574091	4-13	3760367	5-3, 5-17	3931028	2-122	4070973	1-3, 1-8, 1-11
3574210	1-42	3760368	5-9	3931448	5-21	4070987	2-116
3574225	2-76	3760369	5-5, 5-13	3931516	5-3, 5-9, 5-17, 5-21	4071002	1-3, 1-8, 1-11
3574235	1-8	3760371	5-11	3931620	5-5, 5-13	4071007	3-8, 3-11
3574253	2-23	3760436	5-21	3931664	4-15	4100025	2-56, 2-90
3574254	1-3, 1-4, 1-7, 1-11, 1-12	3780182	1-13	3931672	4-15, 4-23	4100099	5-11
3574259	2-23	3790012	2-60, 2-80, 2-117, 2-121, 4-16, 4-18, 4-22, 4-23, 4-24	3931824	5-11	4100100	5-9
3574264	2-23			3932224	2-11	4120012	2-112, 4-18
3574496	2-54, 2-62	3790045	1-18	3941405	4-11	4120013	4-17
3580134	2-30, 2-48, 2-72, 2-76, 2-86, 2-93	3790109	4-15	3960389	2-23, 2-54, 2-60, 2-61, 2-80, 2-81, 2-126	4120035	4-17, 7-8, 7-9, 7-20
3580158	2-47	3790152	2-23, 2-35, 2-41, 2-51, 2-61, 2-81,	3960407	2-35, 2-43	4130368	1-13
3580250	2-71			3960422	7-13, 7-26	4130369	1-13
3580280	2-93			3960438	2-113, 2-118, 2-126	4130403	1-13
3580312	2-76, 2-86			3960461	2-121	4130404	1-13
3580313	2-76			3960469	2-25, 2-54, 2-61, 2-80	4130405	1-13
3580315	2-30					4130406	1-13
3580348	2-86			3960591	2-62	4160182	2-126
3600279	2-23, 2-34, 2-43, 2-54, 2-62, 2-82,			3990001	7-8, 7-23, 10-11	4220165	4-3
				3990010	7-8, 7-9, 7-10, 7-13, 7-20, 7-26, 9-1	4240018	2-76, 2-86
				4060092	7-13, 7-26	4240032	2-121
						4240099	2-35, 2-91, 4-4, 4-8,

SECTION 11 PARTS NUMBER INDEX

Part Number	Page	Part Number	Page	Part Number	Page	Part Number	Page
	4-13	4460125	7-13, 7-26	4460475	7-12, 7-13	4460794	7-11
4240112	2-107	4460205	7-13, 7-26	4460476	7-12, 7-13	4460795	7-11
4240135	2-107	4460224	7-10, 7-12	4460488	4-16, 4-22	4460797	7-11
4280295	2-107	4460225	7-8, 7-10, 7-18	4460499	2-9, 7-10, 7-11, 7-12, 7-25	4460799	7-11, 7-22
4300048	1-49	4460226	4-22, 7-18, 7-20, 7-23, 7-24, 7-25, 7-26, 7-27	4460502	7-9	4460800	7-11, 7-22
4340678	4-15, 4-22	4460227	7-18, 7-20, 7-21, 7-27	4460503	4-17, 7-8	4460834	7-11, 7-22
4340684	4-15, 4-22	4460233	7-13, 7-26	4460508	7-8, 7-18, 7-20	4460836	7-10, 7-11, 7-21, 7-22
4340738	2-76	4460234	2-112, 2-116, 2-121, 4-13, 4-16, 4-17, 4-22	4460509	7-9, 7-19	4460837	7-10, 7-11, 7-21, 7-22
4360031	4-4, 4-8, 4-22	4460265	4-27, 7-8	4460510	4-16, 7-14, 7-28, 10-6	4460842	7-11, 7-22
4360057	4-11, 4-13	4460266	4-27, 7-12	4460526	2-111, 2-116, 7-10, 7-19	4460865	7-19
4360188	2-67	4460267	4-27, 7-8, 7-10, 7-12, 7-13, 7-21, 7-25, 7-27	4460536	7-20	4460866	7-18, 7-20
4360232	4-16, 4-24, 7-27, 9-1	4460268	2-122, 4-27, 7-10, 7-12, 7-13, 7-21, 7-22, 7-27	4460539	7-22, 7-23	4460871	4-29, 4-30, 4-35, 4-36, 7-18, 7-20, 7-21, 7-22, 7-25, 7-28
4360294	2-35, 2-49, 2-53, 2-72	4460320	7-10, 7-13, 7-21, 7-27	4460579	7-11, 7-22	4460873	7-18, 7-20
4360314	2-111, 4-16, 4-18	4460321	7-27	4460580	7-11, 7-22	4460874	2-116, 7-18, 7-19
4360321	7-25	4460326	7-8, 7-12, 7-25	4460582	7-11, 7-22	4460875	2-116, 7-18, 7-19
4360322	7-25	4460346	7-13, 7-26	4460589	7-11	4460876	7-20
4360328	2-116, 4-22, 4-24, 9-1	4460374	7-11	4460591	7-11, 7-12	4460878	7-20
4360331	4-16, 4-22, 9-1	4460375	7-11	4460598	4-4, 4-8, 4-24, 7-13, 7-27	4460879	7-18
4360336	2-30, 2-49, 2-60, 2-72, 2-76, 2-81, 2-86, 2-94, 2-121, 4-9, 4-18, 4-23, 4-24, 9-2, 10-11	4460418	7-8, 7-10, 7-18, 7-20	4460600	2-111, 4-17	4460880	7-21, 7-22
4360387	2-112, 4-15, 4-22, 4-24, 9-1	4460419	7-8, 7-10, 7-18, 7-20	4460601	2-111, 4-17	4460887	7-18, 7-20, 7-22
4360392	2-24, 2-34, 2-42, 2-53, 2-62, 2-90	4460420	7-8, 7-9, 7-10	4460602	2-111, 4-17	4460889	7-22
4360407	4-15, 4-22, 9-1	4460424	2-122, 7-10, 7-13, 7-22, 7-27	4460603	2-111, 4-17	4460890	7-22
4360417	2-3	4460425	7-27	4460607	2-111, 4-17	4460891	7-22
4360469	2-111, 2-116, 9-1	4460426	2-112, 7-10, 7-27	4460608	7-11, 7-12, 7-23	4460892	7-24
4360475	2-111, 2-116, 4-16, 4-22, 9-1	4460428	2-112, 2-116, 2-123, 4-16, 4-22, 7-8, 7-10, 7-18, 7-19, 7-25	4460613	4-17, 7-8	4460894	7-24
4360476	2-111, 2-116, 4-16, 4-22, 9-1	4460434	7-18, 7-20	4460614	7-9	4460905	2-116, 4-22, 7-18, 7-19, 7-20
4360501	2-90, 2-94, 9-2	4460442	7-13	4460628	2-111	4460906	2-86, 7-27
4360548	2-122, 7-25, 9-2	4460445	7-10, 7-21	4460629	4-17	4460943	7-20
4360549	2-122, 7-25, 9-2	4460457	7-11, 7-13, 7-22	4460630	2-112	4460944	7-23
4400275	2-67, 2-68	4460458	7-11, 7-13, 7-22, 7-26	4460631	2-111, 4-17	4460961	7-27
4400420	2-67, 2-68	4460459	7-11, 7-13	4460632	4-17	4460968	2-123, 7-25
4400423	2-107, 2-108	4460464	4-22, 7-8, 7-18, 7-20, 7-22	4460634	7-8, 7-9, 7-20	4460979	7-22
4400429	2-107	4460465	7-9, 7-10, 7-11, 7-19, 7-21, 7-22, 7-23	4460635	7-8, 7-9	4460993	7-23
4400450	2-107, 2-108	4460466	7-9, 7-19	4460693	7-12, 7-23	4460994	7-23
4420037	4-9	4460467	4-16, 7-14, 7-28, 10-6	4460705	7-27	4461005	7-23
4420038	2-107, 2-111, 4-16	4460470	2-116, 4-16, 4-22, 7-8, 7-18, 7-19	4460708	4-22, 7-18, 7-24	4461006	7-23
4420051	1-49	4460471	2-116, 4-16, 4-22, 7-8, 7-18, 7-19	4460711	2-112, 7-10	4461008	7-23
4420060	2-122	4460473	7-9, 7-19	4460713	7-11, 7-22	4461052	7-23
4420068	4-11, 4-13			4460720	7-8	4461053	7-23
4460007	4-22			4460721	7-8	4461054	7-23
4460023	2-30, 2-48, 2-72, 2-94			4460725	7-11, 7-22	4461060	7-23
4460027	2-29, 2-30, 2-47, 2-71, 2-75, 2-76, 2-85, 2-93			4460726	7-11, 7-22	4461070	7-23
4460049	4-11, 4-13			4460728	7-11, 7-23	4461071	7-24
4460071	4-4, 4-8, 4-22, 7-13, 7-18, 7-26			4460741	7-8, 7-10, 10-11	4461072	7-24
				4460742	7-11, 7-22, 7-26	4461073	7-24
				4460743	7-26	4461074	7-24
				4460761	7-18, 7-20, 7-21	4461095	7-23
				4460777	7-11	4461109	7-23
				4460780	7-11	4461111	7-24
				4460781	7-11	4461113	7-24
				4460783	7-11	4461121	7-23
				4460784	7-11	4461122	7-23
				4460789	7-11	4461123	7-23
				4460790	7-11		
				4460793	7-11		

SECTION 11 PARTS NUMBER INDEX

Part Number	Page	Part Number	Page	Part Number	Page	Part Number	Page
4461124	7-23	4641107	1-41, 1-42		2-90, 2-94, 2-	4791400	2-43, 2-82, 2-91
4461157	7-22	4641108	2-3		107, 2-112, 2-	4791500	2-3
4461161	7-23	4641114	5-22		116, 2-121, 4-3,	4791600	2-35, 2-40, 2-54, 2-
4461222	7-24	4641115	1-41, 1-42		4-7, 4-16, 4-22		61, 2-81, 2-82,
4520171	1-19	4641117	2-3, 2-5	4751400	2-3, 2-24, 2-25, 2-		2-91
4520212	1-19	4641144	5-11		33, 2-40, 2-43,	4811900	2-86
4520216	1-19	4641162	5-3		2-52, 2-53, 2-60,	4812000	2-63, 2-72
4520224	1-46	4641164	10-11		2-63, 2-81, 2-82,	4821397	4-13
4520234	1-46	4641207	1-42		2-89, 2-113, 2-	4831900	2-37, 2-43, 2-53, 2-
4520240	1-19	4641208	1-42		116, 2-118, 2-		63, 2-82, 2-90
4520259	1-19	4641272	2-24		122, 2-126, 3-8,	4832000	2-37, 2-43, 2-54, 2-
4520266	1-19	4641282	6-5, 6-8, 6-12		3-11, 4-4, 4-8, 4-		63, 2-91
4530016	10-11	4641499	2-3, 2-5		11, 4-13, 4-16,	4844815	3-12
4530020	10-11	4711000	4-16		4-22, 8-4, 8-10,	4844816	3-12
4558765	2-24	4711400	1-4, 1-7, 1-12, 1-46,		10-11	4844817	3-12
4564281	2-55		2-40, 2-54, 2-63,	4751500	1-41, 1-43, 2-3, 2-	4844958	2-11
4564417	2-72		2-76, 2-81, 2-82,		24, 2-25, 2-30,	4845327	4-3
456605	2-62		2-86, 2-122, 4-4,		2-35, 2-40, 2-48,	4845395	2-35
4566425	5-21		4-8, 4-11		2-51, 2-54, 2-60,	4845426	4-3
4566468	5-5, 5-13	4711500	1-49, 2-24, 2-54, 2-		2-63, 2-72, 2-81,	4845531	2-48
4566471	5-9		56, 2-81, 4-15,		2-82, 2-86, 2-91,	4845824	4-3
4566605	2-51		4-23		2-94, 2-126, 3-5,	4845950	10-5
4567073	2-56	4711600	2-24, 2-43, 2-82, 2-		4-11, 4-13, 10-	4845951	4-3
4567139	6-11		122, 3-3, 3-4, 3-		11	4845969	2-93
4567462	1-4, 1-7, 1-12		5, 3-7, 3-12	4751600	1-3, 1-4, 1-7, 1-8, 1-	4846011	2-53
4567495	2-34	4711700	2-76, 2-86		11, 1-12, 1-41,	4846046	2-53
4567815	2-43	4711900	2-35, 2-43		1-43, 2-3, 2-24,	4846069	1-11, 1-12
4567817	2-90	4712400	1-8		2-25, 2-30, 2-34,	4846070	1-13
4567821	2-90	4713000	1-5, 1-8		2-40, 2-43, 2-48,	4846072	1-3, 1-4
4567878	2-53, 2-62	4740076	2-121		2-52, 2-60, 2-63,	4846080	2-33, 2-52, 2-89
4567949	5-11	4740086	1-5, 1-8, 1-13		2-67, 2-68, 2-72,	4846092	2-126
4568158	2-52	4740120	2-126, 4-16, 4-22		2-76, 2-81, 2-82,	4846095	2-126
4568734	2-76	4740155	1-8		2-89, 2-94, 2-	4846096	2-25, 2-35, 2-40, 2-
4568735	2-76, 2-86	4740158	1-3, 1-4, 1-7, 1-8, 1-		107, 2-126, 3-4,		54, 2-61, 2-81,
4568743	2-24		11, 1-12		3-7, 3-11, 4-4, 4-		2-91
4568951	2-63	4740274	2-24, 2-33, 2-43, 2-		8, 4-16, 4-22, 5-	4846100	2-126
4568955	2-63		52, 2-63, 2-82,		22	4846110	2-126
4569083	2-63		2-89, 2-121	4751800	1-5, 1-8, 1-13, 1-49,	4846111	2-126
4569173	2-63	4740362	2-121, 2-126, 4-4, 4-		2-12, 2-24, 2-35,	4846112	1-46
4569176	2-24		8, 4-22		2-54, 2-63, 2-68,	4846113	1-46
4569342	2-82	4740397	2-49, 2-72, 2-76, 2-		2-76, 2-82, 2-91,	4846114	1-46
4569345	2-82		86, 2-94, 4-24,		3-4, 4-9, 4-11, 4-	4846126	1-46
4620128	2-11		10-11		13, 4-16, 10-11	4846128	3-3
4620141	2-11	4740439	3-12	4751900	2-48	4846137	3-7, 3-12
4640113	1-19, 1-46	4740442	2-89	4752000	1-4, 1-7, 1-12, 1-49,	4846186	3-4
4640261	1-49	4740444	2-112		2-25, 2-35, 2-40,	4846213	10-11
4640509	5-5, 5-7, 5-9, 5-11	4740491	1-8		2-53, 2-60, 2-81,	4846216	3-4
4640744	2-24, 2-101, 6-11	4740500	2-126		2-90	4846231	10-11
4640751	2-35, 2-43	4740537	1-12	4752200	2-25, 2-35, 2-40, 2-	4846310	2-68
4640858	5-3	4740538	1-12		53, 2-61, 2-81,	4846390	4-11
4640871	1-4, 1-7, 1-12	4740539	1-12		2-90	4846393	1-46
4640921	2-3, 2-9	4740540	1-12	4760600	2-112	4846394	1-46
4640932	5-5, 5-7	4740546	2-121	4761000	2-112, 4-3, 4-7, 4-	4846426	1-8
4640952	2-82	4750600	2-111		17, 4-24	4846452	4-7
4640989	2-51, 2-63	4750800	2-67, 2-113, 2-118	4761400	2-116, 3-8, 3-11, 4-	4846478	2-33, 2-48
4641019	2-91	4751000	1-41, 2-24, 2-30, 2-		16	4846506	10-5
4641033	5-21		34, 2-49, 2-51,	4761500	2-52	4846550	1-11, 1-12
4641062	5-9		2-53, 2-63, 2-68,	4761600	1-3, 1-4, 1-11, 1-12,	4846551	1-3, 1-4
4641076	6-5, 6-8, 6-12		2-72, 2-76, 2-86,		1-41, 2-107	4846561	4-9

SECTION 11 PARTS NUMBER INDEX

Part Number	Page	Part Number	Page	Part Number	Page	Part Number	Page
4846567	2-33, 2-48	4922643	7-27	4933334	7-3, 7-21, 7-24	7000232	1-29
4846573	3-8, 3-13	4922663	2-117, 7-20	4933335	7-3, 7-21, 7-24	7000246	1-29, 2-17
4846673	4-13	4922664	2-117, 7-20	4933348	7-3, 7-21, 7-24	7000248	1-29
4846801	1-7	4922665	4-22, 7-3, 7-18	4933350	7-2, 7-26	7000253	1-30, 2-17
4846802	1-8	4922666	2-117, 4-22, 7-18, 7-19	4933353	7-3, 7-21, 7-24	7000255	2-17
4846806	2-51, 2-63			70000007	2-63	7000256	2-17
4846809	2-33, 2-52, 2-63, 2-82	4922714	2-123, 7-25	70000099	2-67	70002567	2-56
4846821	2-24	4922737	2-24	70000123	2-29, 2-47, 2-71, 2-75, 2-85, 2-93	7000257	1-29, 2-17
4846852	2-24	4922764	7-27	70000124	2-29, 2-47, 2-71, 2-75, 2-85, 2-93	7000258	1-29, 2-17
4860198	1-19	4922769	2-123, 7-25	70000125	2-29, 2-47, 2-71, 2-75, 2-85, 2-93	7000261	1-29
4860213	1-19	4922802	7-19	70000126	2-30, 2-48, 2-71, 2-76, 2-85, 2-93	7000262	1-30
4860214	1-19	4922803	7-19			7000263	1-30
4860215	1-46	4922829	10-5			7000269	2-17
4860218	1-46	4922880	2-116, 7-21, 7-22			7000270	2-17
4891500	2-76	4922940	7-26	70000127	2-75, 2-85	70002724	4-35
4891600	2-24, 2-35, 2-51, 2-76, 2-81, 2-86, 2-90, 3-8, 3-13	4922965	4-9, 7-27	70000264	2-36	70002725	4-35
4891800	1-18, 1-45, 1-46, 2-11, 2-41, 2-61, 3-8, 3-13	4922978	2-40, 7-26	70000342	3-16	70002726	4-35
4892000	1-18, 2-11, 2-76	4923234	2-116, 7-21, 7-22	70000544	2-26	70002727	4-35, 4-36
4892200	1-4, 1-7, 1-12	4923235	2-116, 7-21, 7-22	70000797	1-37	70002728	4-35
4892600	3-8, 3-13, 3-16	4923236	2-117, 7-20	70000851	2-36	70002729	4-36
4920018	4-4	4923260	2-116, 7-21, 7-22	70000856	1-33	70002730	4-29
4920385	2-56, 2-90	4923261	2-117, 7-20	70000969	2-103	70002731	4-29
4921927	2-3, 7-12, 7-25	4923356	2-116, 7-21, 7-22	70000970	2-103	70002732	4-29
4921938	7-13	4923419	2-116, 7-21, 7-22	70000971	2-103	70002733	4-30
4922012	10-6	4923445	7-26	70000972	2-103	70002734	4-30
4922021	7-14	4923451	7-26	70000973	2-103	70002735	4-30
4922099	7-23	4923456	2-117, 7-20	70000975	2-104	70002768	2-108
4922340	4-17, 7-3, 7-8	4932917	7-3	70000976	2-103	7000281	2-17
4922344	2-111, 7-10	4932980	4-18, 7-3	70000977	2-103, 2-104	70002906	4-30
4922346	2-111, 7-10	4933025	7-2	70000978	2-103, 2-104	70003039	2-37
4922347	2-111, 7-10	4933026	7-2	70001017	2-23, 2-56	70003040	2-37
4922348	2-111, 7-10	4933027	7-3	70001180	2-26	70003041	2-37
4922349	2-111, 7-10	4933126	7-3, 7-9	70001181	2-45	70003479	2-45
4922375	7-9	4933127	7-3, 7-9	70001256	2-5	70003480	2-45
4922376	7-9	4933151	7-4	70001257	2-26	70003481	2-45
4922387	7-9	4933153	7-2, 7-13	70001349	1-29	70003483	4-8
4922388	7-9	4933154	7-2, 7-13	70001403	2-25, 9-1	70003784	4-15
4922442	10-11	4933157	7-3	70001423	2-44	70003838	5-7, 5-15
4922482	7-26	4933175	7-2	70001690	2-64	70003839	5-7, 5-15
4922483	7-26	4933176	7-3, 7-21, 7-24	70001695	2-25	70003848	5-7, 5-15
4922484	7-27	4933177	7-3, 7-21, 7-24	70001697	3-16	70003856	5-7, 5-15
4922485	2-117, 7-19	4933189	7-2	70001863	2-108	70003932	2-37, 2-44
4922498	7-27	4933190	7-2, 7-26	70001941	2-121	70004128	5-7
4922536	2-116, 7-21, 7-22	4933191	7-2, 7-26	70001976	2-6	70004129	5-15
4922537	2-116, 7-21, 7-22	4933192	7-3	70001990	2-26, 9-1	70004136	5-7, 5-15
4922538	2-116, 7-21	4933193	7-4	70001994	3-4	70004137	5-7
4922539	2-117, 7-20	4933202	7-3, 7-9	7000206	1-30	70004138	5-7
4922540	2-117, 7-20	4933217	7-2	7000209	2-17	70004139	5-15
4922547	7-19	4933219	7-3	7000217	2-17	70004140	5-15
4922548	7-19	4933229	7-3, 7-21, 7-24	7000224	5-7, 5-15	7000625	4-4, 4-8
4922601	2-111, 7-10	4933230	7-3, 7-21, 7-24	70002234	2-36	7000663	2-36
4922636	7-24	4933237	7-3	70002235	2-29, 2-47, 2-71, 2-93	7000722	2-15
4922637	7-24	4933238	7-2, 7-26			7000723	2-15
4922641	7-26	4933239	7-2, 7-26	70002257	2-99	7000724	2-15
		4933240	7-4	7000228	2-17	7000725	2-15
		4933279	7-3, 7-21, 7-24	7000229	1-29, 2-17	7000731	1-30, 2-15
		4933300	7-2, 7-26	7000230	1-29, 2-17	7000782	2-15
		4933313	7-3	70002307	2-55, 2-64	7000798	2-15
		4933325	7-3, 7-21, 7-24			7000897	2-55

SECTION 11 PARTS NUMBER INDEX

Part Number	Page	Part Number	Page	Part Number	Page	Part Number	Page
7000974	2-103	7006151	3-4	7012918	2-5	7016834	2-23, 2-34, 2-41, 2-90
7001481	2-99	7006152	3-4	7012930	1-41, 1-42	7016835	2-23, 2-34, 2-41, 2-90
7001485	2-97	7007289	2-99	7012941	2-3	7016843	2-23, 2-34, 2-41, 2-90
7001988	2-17	7007412	2-98	7012943	2-3, 9-1		
7001998	1-29	7007419	2-97	7012944	2-3, 2-5, 9-1		
7002107	2-19	7007437	1-34, 1-38	7012953	2-9	7017064	2-17
7002110	2-19	7007438	1-33, 1-37	7012965	2-9	7017065	2-17
7002111	2-19	7007439	1-34, 1-37	7012967	1-41, 1-42, 2-5, 5-11, 5-22	7017066	2-17
7002112	2-19	7007446	1-33, 1-37	7012974	2-3	7017067	1-30
7002117	2-19	7007470	2-97, 2-98	7012975	2-5	7017070	1-29
7002125	2-19	7007497	7-25	7012995	2-3	7017080	1-30
7002821	7-14, 7-28, 10-6	7007498	7-25	7012998	2-5, 2-9	7017090	1-29
7002822	10-6	7007601	1-29	7013187	2-12	7017091	1-29
7002823	7-14, 7-28, 10-6	7007633	2-17	7013701	2-103	7017092	1-29
7002826	10-6	7007640	1-29	7013711	2-103	7017093	1-29
7002828	7-14, 7-28	7007933	2-15	7013757	2-103	7017094	1-29
7002840	1-4, 1-7, 1-12	7007990	2-15	7013766	2-103	7017095	1-29
7003049	2-15	7008833	7-12	7013771	2-103	7017097	1-29
7003050	2-15	7009992	2-19	7014501	2-63, 9-1	7017125	3-15
7003078	2-15	7009995	2-19	7014801	2-108	7017136	3-15
7003094	2-15	7009996	2-19	7014802	2-108	7017137	3-16
7003452	2-15	7009998	2-19	7014810	2-108	7017138	3-16
7003453	2-15	7010429	1-29	7014812	2-108	7017139	3-15
7003454	2-15	7010488	2-17	7014813	2-108	7017140	3-15
7003457	2-15	7010494	2-17	7014816	2-108	7017142	3-16
7003459	2-15	7010542	1-41, 1-42, 2-5	7014900	2-19	7017143	3-15
7003462	2-15	7010543	1-41, 1-42, 2-3, 2-5	7016180	2-34, 2-52, 2-60, 2-90	7017148	3-15
7003657	2-29, 2-47, 2-71, 2-75, 2-85, 2-93	7010699	2-30, 2-48, 2-72, 2-76, 2-85, 2-93	7016314	2-108	7017158	3-16
7003928	4-27, 4-29	7011016	2-103	7016329	2-36	7017159	3-16
7003933	4-35	7011044	2-103	7016330	2-36	7017162	3-15
7003935	4-33, 4-35	7011067	2-103	7016331	2-36, 9-1	7017163	3-15
7003941	4-33, 4-35	7011112	5-5, 5-7	7016332	2-36	7017164	3-15
7003946	4-33, 4-35	7011323	3-15	7016336	7-12	7017172	3-15
7003952	4-27	7012513	2-29, 2-47, 2-71, 2-75, 2-85, 2-93	7016359	2-36	7017192	3-15
7003953	4-27, 4-29	7012514	2-29, 2-47, 2-71, 2-75, 2-85, 2-93	7016360	1-46	7017195	3-15
7003954	4-27	7012518	2-3, 2-5	7016380	2-121	7017410	2-5
7003955	4-27	7012519	1-46	7016399	4-8	7017412	1-41, 1-42
7003956	4-27	7012520	1-46	7016505	3-4	7017421	2-9
7003969	4-33, 4-35	7012521	1-46	7016524	3-4	7017422	2-5, 2-9
7003972	4-33, 4-36	7012522	1-46	7016628	2-121	7017427	2-5
7003973	4-33, 4-36	7012522	1-46	7016641	2-36	7017428	2-5
7003974	4-27	7012523	1-46	7016654	10-6	7018612	2-15
7003976	4-27, 4-29	7012524	1-46	7016655	10-6	7018900	2-7
7003977	4-27, 4-29	7012558	2-29, 2-47, 2-71, 2-75, 2-85, 2-93	7016662	2-55	7018912	2-6, 2-7, 2-9
7003980	4-33, 4-36	7012664	2-22, 2-34, 2-42, 2-53, 2-62, 2-81, 2-89, 9-1	7016680	2-107	7018942	2-7, 2-9
7003982	4-36	7012693	1-4, 1-7, 1-12	7016744	2-103	7018945	2-9
7003983	4-33, 4-36	7012770	2-6, 2-9	7016745	2-103	7018991	2-6, 2-7, 9-1
7003986	4-35	7012772	2-6, 2-9, 9-1	7016746	2-103	7018991	2-6, 2-7, 9-1
7003989	4-33, 4-36	7012773	2-5, 2-6, 2-7, 2-9	7016768	2-103	7019103	4-33, 4-35
7003992	4-27, 4-29, 4-33, 4-35	7012775	2-6, 2-7	7016769	2-103	7019110	4-33, 4-35
7003993	4-27, 4-29, 4-33, 4-35	7012776	2-9	7016803	2-34	7019111	4-27, 4-29, 4-33, 4-35
7003994	4-35	7012777	2-9	7016808	2-54, 2-60, 2-80	7019112	4-33, 4-35
7004275	10-6	7012777	2-9	7016817	2-34, 2-54, 2-60	7019114	4-35
7004276	10-6	7012799	2-6	7016820	2-23, 2-34, 2-41, 2-54, 2-60, 2-80, 2-90	7019115	4-33, 4-35
7006137	3-4	7012914	2-5	7016833	2-34, 2-54, 2-60	7019117	4-33
7006140	3-4					7019122	4-27, 4-29
						7019123	4-27, 4-29

SECTION 11 PARTS NUMBER INDEX

Part Number	Page	Part Number	Page	Part Number	Page	Part Number	Page
7019137	4-27	7020038	1-5, 1-9	7021243	2-97	7021351	1-25
7019141	4-27, 4-29	7020039	1-5, 1-9	7021248	2-97	7021352	1-26
7019142	4-27, 4-29	7020040	1-5, 1-9	7021249	1-34, 1-37, 2-97	7021354	1-26
7019143	4-27, 4-29	7020041	1-5, 1-9	7021250	2-97	7021355	1-26
7019144	4-27, 4-29	7020042	1-5, 1-9	7021251	2-97	7021356	1-26
7019145	4-27, 4-29	7020043	2-107	7021254	2-97	7021357	1-26
7019147	4-27, 4-29	7020054	1-5, 1-9	7021255	2-97, 2-98	7021358	1-26
7019149	4-27, 4-29	7020055	1-5, 1-9	7021257	2-97	7021359	1-26
7019150	4-27, 4-29	7020099	4-15	7021258	2-97	7021365	2-5
7019151	4-33, 4-35	7020100	4-15	7021259	2-97	7021373	2-6
7019153	4-33	7020108	2-29, 2-47, 2-71, 2-75, 2-85, 2-93	7021260	2-97	7021374	2-6
7019154	4-33, 4-35	7020109	2-29, 2-47, 2-71, 2-75, 2-85, 2-93	7021263	2-98	7021375	2-5, 2-6
7019155	4-33, 4-35	7020110	2-29, 2-47, 2-71, 2-75, 2-85, 2-93	7021264	2-98	7021376	2-5, 2-6, 9-1
7019156	4-33	7020111	2-29, 2-47, 2-71, 2-75, 2-85, 2-93	7021265	2-98	7021625	1-41, 1-42
7019157	4-33	7020120	2-56	7021268	2-98	7021647	2-5
7019158	4-33	7020168	2-36	7021269	2-98	7021648	2-5
7019159	4-33	7020169	2-37, 2-44	7021270	2-98	7021654	1-41, 1-42
7019160	4-33, 4-35	7020175	2-111, 2-116, 4-16, 4-22	7021271	2-98	7021655	1-41, 1-42
7019161	4-33, 4-35	7020176	2-111, 2-116, 4-16, 4-22	7021272	2-98	7021656	1-41, 1-42
7019162	4-33, 4-35	7020180	1-4, 1-8, 1-12, 1-13	7021273	2-98	7021868	2-55, 2-63
7019163	4-33	7020190	2-29, 2-47, 2-71, 2-75, 2-85, 2-93	7021274	2-98	7022107	2-91
7019164	4-33, 4-36	7020191	2-30, 2-48, 2-71, 2-93	7021275	1-33, 1-37, 2-98	7022111	2-91, 9-1
7019165	4-33, 4-36	7020192	2-30, 2-48, 2-72, 2-76, 2-85, 2-93	7021276	1-33, 1-37, 2-98	7022113	2-91, 9-1
7019166	4-33, 4-36, 9-1	7020193	2-29, 2-47, 2-71, 2-75, 2-85, 2-93	7021277	1-33, 1-37, 2-98	7022114	2-91
7019167	4-33, 4-36	7020226	2-108	7021278	2-98	7022118	2-91
7019168	4-33, 4-35	7020234	7-12	7021279	2-98	7022120	2-91
7019171	4-27, 4-29	7020252	2-108	7021280	2-97, 2-98, 2-99	7022122	2-91
7019174	4-27, 4-29	7020343	2-19	7021281	2-98	7022123	2-91
7019177	4-29	7020352	2-19	7021283	2-97	7022124	2-91
7019181	4-16	7020353	2-19	7021284	2-97	7022125	2-91
7019194	4-33, 4-36	7020356	2-19	7021288	2-98	7022126	2-91
7019196	4-36	7020357	2-19	7021290	2-98	7022127	2-91
7019197	4-27, 4-29	7020359	2-19	7021291	2-98	7022128	2-91
7019656	2-23, 2-52, 2-62, 2-82	7020362	2-19	7021292	2-98	7022129	2-91
7019679	2-29, 2-47, 2-71, 2-75, 2-85, 2-93	7020410	2-36	7021294	2-99	7022130	2-91
7019925	2-56, 2-64	7020458	2-36	7021296	2-99	7022131	2-91
7019930	2-56	7020461	2-36	7021297	2-99	7022133	2-55, 2-63
7019932	2-56	7020462	2-36	7021298	2-99	7022134	2-55, 2-64, 7-12
7019976	2-56, 2-63	7020463	2-36	7021299	2-99	7022135	2-55, 2-63, 9-1
7019977	2-55, 2-63	7020467	2-37	7021325	1-21, 1-25	7022136	2-55
7019978	2-64	7020477	2-36	7021326	1-21, 1-25	7022137	2-55, 7-12
7019979	2-56, 2-64	7020479	2-36	7021327	1-21, 1-25	7022139	2-55, 2-63
7019986	2-55	7020480	2-36	7021328	1-21, 1-25	7022140	2-55
7019993	2-55, 2-64	7020481	2-37	7021329	1-21, 1-22, 1-25, 1-26, 1-27	7022142	2-55, 2-64
7019994	2-55, 2-64	7021237	2-97	7021330	1-21, 1-22, 1-25, 1-26, 1-27	7022143	2-55, 2-64
7019996	2-55, 2-63	7021238	2-97	7021335	1-25	7022144	2-56
7020020	2-3	7021239	2-97	7021337	1-21, 1-25	7022147	2-55, 2-63
7020023	2-36, 9-1	7021240	2-97	7021338	1-21, 1-22, 1-26, 1-27	7022148	2-56
7020024	2-36	7021242	2-97	7021339	1-21	7022149	2-56
7020025	2-36			7021340	1-21, 1-26	7022150	2-56
7020026	2-36			7021341	1-25	7022151	2-56
7020027	2-36			7021342	1-21, 1-25	7022153	2-56, 2-64
7020033	1-5, 1-9			7021344	1-22, 1-26	7022154	2-56
7020034	1-5, 1-9			7021346	1-21, 1-25	7022155	2-56, 2-64
7020035	1-5, 1-9			7021347	1-21, 1-25	7022156	2-56, 2-64
7020036	1-5, 1-9			7021349	1-25	7022157	2-56
7020037	1-5, 1-9					7022158	2-55
						7022159	2-55
						7022160	2-55

SECTION 11 PARTS NUMBER INDEX

Part Number	Page	Part Number	Page	Part Number	Page	Part Number	Page
7022161	2-55	7022544	1-21, 1-22, 1-25, 1-27	7023445	10-11	7024195	1-31
7022162	2-55			7023446	10-11	7024196	1-30, 1-31
7022164	2-56	7022545	1-21, 1-22, 1-27	7023447	10-11	7024197	1-30, 1-31
7022165	2-67	7022547	1-26	7023448	10-12	7024313	10-11
7022166	2-67	7022548	1-27	7023449	10-12	7024315	10-12
7022167	2-67	7022549	1-26	7023603	2-67	7024316	10-12
7022168	2-67	7022551	1-26	7023613	2-56	7024317	10-12
7022170	2-67	7022679	2-63	7023637	2-55, 2-64	7024318	2-36
7022171	2-67	7022808	4-27, 4-29	7023644	2-56	7024319	2-112, 2-116
7022173	2-63	7022812	4-35, 4-36	7023645	2-67	7024320	2-112, 2-116
7022178	2-55, 2-64	7022813	4-27	7023652	2-55	7024413	2-36
7022179	2-55	7022814	4-29	7023653	2-55	7024436	10-12
7022180	2-56, 2-63	7022815	4-29	7023654	2-55	7024439	2-108
7022302	1-33, 1-37	7022816	4-29	7023655	2-55	7024440	2-108
7022305	1-33, 1-37	7022817	4-29	7023656	2-55	7024441	2-108
7022306	1-33, 1-37	7022818	4-29, 9-1	7023657	2-56	7024442	2-108
7022307	1-33, 1-37	7022819	4-29, 4-30, 7-25	7023658	2-55	7024443	2-108
7022308	1-33	7022820	7-25	7023659	2-67	7024444	2-108
7022309	1-33, 1-37	7022822	4-35	7023660	2-67	7024445	2-108
7022310	1-33, 1-37	7022823	4-35	7023661	2-63	7024446	2-108
7022311	1-33, 1-37	7022824	4-35, 7-25, 9-1	7023662	2-63	7024452	2-121
7022312	1-33, 1-37	7022825	4-35, 4-36, 7-25	7023663	2-55, 7-25	7024508	5-21
7022313	1-33	7023205	2-108, 9-1	7023665	2-67	7024559	10-12
7022314	1-33, 1-37	7023206	2-3	7023679	2-67, 7-14, 7-28	7024565	2-37
7022318	1-34	7023207	2-3	7023680	2-64, 2-67	7024705	1-30
7022321	1-34	7023251	10-11	7023681	2-55, 2-63, 7-25	7024712	1-29
7022326	1-34, 1-38	7023252	10-11	7023682	2-56, 2-63	7024713	1-30
7022328	1-33, 1-34, 1-37, 1-38	7023253	10-11	7023683	2-55, 2-63	7024714	1-29
		7023254	10-11	7023695	2-56	7024715	1-30
7022340	2-97	7023255	10-11	7023698	2-64	7024716	1-30
7022341	2-97	7023256	10-11	7023699	2-64	7024717	1-30
7022342	2-97	7023257	10-11	7023802	2-101	7024718	1-30
7022346	2-98	7023258	10-11	7023811	2-101	7024800	2-98
7022347	2-98	7023259	10-12	7023812	2-101	7024804	2-98
7022363	10-12	7023260	10-12	7023813	2-101	7024852	1-34
7022366	1-34	7023261	10-12	7023814	2-101	7024853	1-34, 1-38
7022367	1-34	7023262	10-12	7023815	2-101	7024854	1-34, 1-38
7022368	1-34, 1-37	7023264	10-12	7023820	2-101	7024855	2-97
7022369	1-34, 1-38	7023265	10-12	7023821	2-7	7024856	2-97
7022370	1-34	7023266	10-12	7023822	2-7	7024857	2-97
7022371	1-34, 1-38	7023267	10-12	7023823	2-7	7024858	2-97
7022372	1-34, 1-38	7023306	2-108	7023824	2-7	7024868	1-33, 1-37
7022373	2-97	7023413	10-10	7023907	1-33, 1-37	7024962	2-101
7022374	2-97	7023414	10-10	7023908	1-33, 1-37	7024980	1-26
7022375	2-97	7023415	10-10	7023910	1-34, 1-37	7025124	2-56
7022376	2-97	7023416	10-10	7023917	1-42	7025134	2-56, 2-64
7022377	2-97	7023417	10-10	7023934	1-42	7026113	5-15
7022378	2-97	7023418	10-10	7023935	1-42	7026199	2-29, 2-47, 2-71, 2-75, 2-85, 2-93
7022379	2-97	7023419	10-12	7023936	1-42		
7022380	2-97	7023420	10-12	7024017	1-27	7026835	2-26
7022381	2-97	7023421	10-12	7024026	1-27	7026836	2-26
7022382	2-98	7023422	10-12	7024100	2-17	7026840	2-26
7022383	2-98	7023423	10-12	7024182	1-30	7026843	2-26
7022384	2-98	7023424	10-12	7024189	1-30	7026844	2-26
7022385	2-98	7023425	10-12	7024190	1-30	7026846	2-25
7022386	2-99	7023426	10-12	7024191	1-30	7026847	2-25
7022387	2-99	7023427	10-12	7024192	1-30	7026848	2-25
7022397	1-42	7023428	10-12	7024193	1-30, 1-31	7026849	2-25
7022399	1-42	7023444	10-11	7024194	1-30	7026850	2-25

SECTION 11 PARTS NUMBER INDEX

Part Number	Page	Part Number	Page	Part Number	Page	Part Number	Page
7026851	2-26	7027796	7-25				
7026852	2-25	7027858	2-125				
7026853	2-25	7027887	2-30, 2-48, 2-72, 2-76, 2-86, 2-93				
7026854	2-26						
7026855	2-25	7027965	2-82, 9-1				
7026856	2-25	7027972	2-82, 9-1				
7026857	2-25	7027994	2-82				
7026858	2-25	7027996	2-82				
7026859	2-26	8180311	2-23, 2-52, 2-62, 2-82				
7026860	2-25						
7026861	2-26	8896941	10-6				
7026862	2-26	91083218	2-55				
7026863	2-25						
7026864	2-25						
7026865	2-25						
7026866	2-25						
7026867	2-25						
7026868	2-25						
7026869	2-25						
7026870	2-25						
7026871	2-25, 9-1						
7026872	2-25						
7026873	2-25						
7026874	2-25						
7026875	2-25						
7026876	2-26						
7026877	2-26						
7026878	2-26						
7026879	2-26						
7026880	2-26						
7026881	2-26						
7026882	2-26						
7026883	2-26						
7026884	2-26						
7026885	2-26						
7026886	2-26						
7027012	2-80						
7027013	2-80						
7027059	1-29						
7027239	9-1						
7027245	9-1						
7027250	2-36						
7027276	2-36, 2-44						
7027400	2-63						
7027401	2-64						
7027402	2-56, 2-64						
7027403	2-63, 7-25						
7027404	2-63						
7027405	2-64						
7027406	2-64						
7027407	2-63						
7027408	2-63						
7027410	2-64						
7027411	2-64						
7027413	2-64						
7027419	1-34, 1-38						
7027793	7-25						
7027794	7-25						
7027795	9-1						

SECTION 11 PARTS NUMBER INDEX

Part Number	Page	Part Number	Page	Part Number	Page	Part Number	Page
-------------	------	-------------	------	-------------	------	-------------	------



3120789



An Oshkosh Corporation Company

Corporate Office
JLG Industries, Inc.
1 JLG Drive
McConnellsburg PA. 17233-9533
USA

☎ (717) 485-5161

📠 (717) 485-6417

JLG Worldwide Locations

JLG Industries (Australia)
P.O. Box 5119
11 Bolwarra Road
Port Macquarie
N.S.W. 2444
Australia

☎ +61 2 65 811111

📠 +61 2 65 813058

JLG Latino Americana Ltda.
Rua Eng. Carlos Stevenson,
80-Suite 71
13092-310 Campinas-SP
Brazil

☎ +55 19 3295 0407

📠 +55 19 3295 1025

JLG Industries (UK) Ltd
Bentley House
Bentley Avenue
Middleton
Greater Manchester
M24 2GP - England

☎ +44 (0)161 654 1000

📠 +44 (0)161 654 1001

JLG France SAS
Z.I. de Baulieu
47400 Fauillet
France

☎ +33 (0)5 53 88 31 70

📠 +33 (0)5 53 88 31 79

JLG Deutschland GmbH
Max-Planck-Str. 21
D - 27721 Ritterhude - Ihlpohl
Germany

☎ +49 (0)421 69 350 20

📠 +49 (0)421 69 350 45

JLG Equipment Services Ltd.
Rm 1107 Landmark North
39 Lung Sum Avenue
Sheung Shui N. T.
Hong Kong

☎ (852) 2639 5783

📠 (852) 2639 5797

JLG Industries (Italia) s.r.l.
Via Po. 22
20010 Pregnana Milanese - MI
Italy

☎ +39 029 359 5210

📠 +39 029 359 5845

Oshkosh-JLG Singapore
Technology Equipment Pte
Ltd
29 Tuas Ave 4,
Jurong Industrial Estate
Singapore, 639379

☎ +65-6591 9030

📠 +65-6591 9031

Plataformas Elevadoras
JLG Iberica, S.L.
Trapadella, 2
P.I. Castellbisbal Sur
08755 Castellbisbal, Barcelona
Spain

☎ +34 93 772 4700

📠 +34 93 771 1762

JLG Sverige AB
Enkopingsvagen 150
Box 704
SE - 176 27 Jarfalla
Sweden

☎ +46 (0)850 659 500

📠 +46 (0)850 659 534